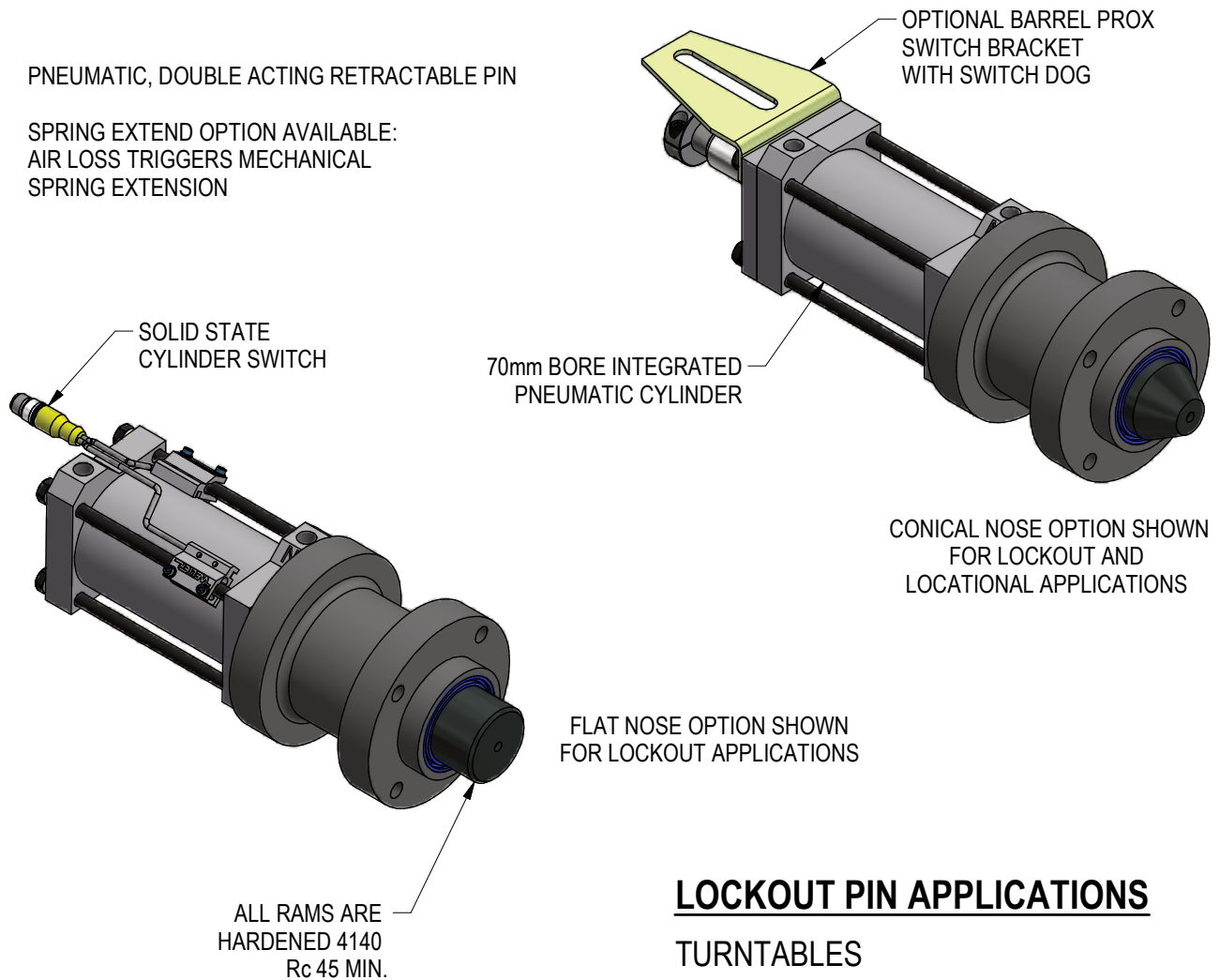


## BP4 SERIES LOCKOUT PIN

5000 lbf LOCKOUT LOAD CAPACITY

PNEUMATIC, DOUBLE ACTING RETRACTABLE PIN

SPRING EXTEND OPTION AVAILABLE:  
AIR LOSS TRIGGERS MECHANICAL  
SPRING EXTENSION



### LOCKOUT PIN APPLICATIONS

TURNTABLES  
TRUNNION FIXTURES  
TURN-OVER UNITS  
LIFTERS & SLIDES  
SAFETY COMPLIANCE

REVISED 6/13/16

# ORDERING INFORMATION

NOTE: ALL BOXES MUST BE FILLED IN FOR A COMPLETE PART NUMBER

B	P	4	N			X						
---	---	---	---	--	--	---	--	--	--	--	--	--

**Pin Dia** \_\_\_\_\_  
**4** 48mm Nominal Pin Dia

**Stroke** \_\_\_\_\_  
**025** 25mm Stroke  
**050** 50mm Stroke

**Actuator** \_\_\_\_\_  
**01** Pneumatic 70mm Bore - Single Rod - NPT  
**02** Pneumatic 70mm Bore - Single Rod - G Port  
**03** Pneumatic 70mm Bore - Double Rod - NPT Port  
**04** Pneumatic 70mm Bore - Double Rod - G Port

**Pin Nose** \_\_\_\_\_  
**1** Conical  
**2** Flat

**Spring Extend** \_\_\_\_\_  
**0** No spring  
**E** Spring Extend

**Switch** \_\_\_\_\_  
**00** No Switch  
**LX** See Welker Cylinder Switch Chart (below)  
**B1** Barrel Prox Switch Bracket (Requires Double Rod Cylinder)  
 See Sheet 3 for Bracket positions: B1, B2, B3, B4

**Precision** \_\_\_\_\_  
**S** Standard Tolerance ( $\pm .010$ " Extended Ram Axial Lash-Lockout Only at 2500lbf)  
**H** High Locational Tolerance ( $\pm .005$ " Extended Ram Axial Lash-Lock & Locate at 1000lbf)

SPRING EXTEND OPTION "E": SPRING FORCE		
STROKE	ACTUATOR 01/02	ACTUATOR 03/04
25mm STROKE EXTENDED	100 LBF	60 LBF
50mm STROKE EXTENDED	80 LBF	40 LBF
FULLY RETRACTED	115 LBF	80 LBF

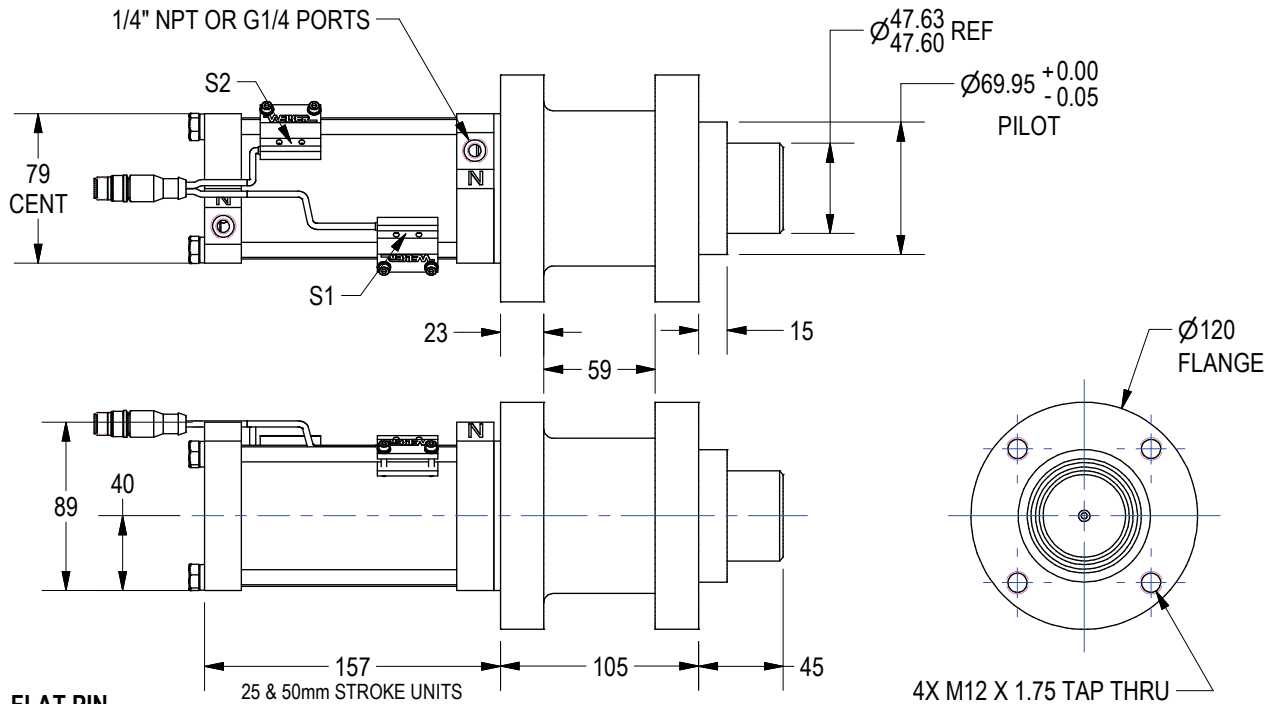
	Switch Option	Part Number	Manufacturer	Description
<b>Cylinder Switches</b>	<b>L3</b>	SWITCH L3 L3 switch is weld field immune, comparable to World Switches (Dual sensor, single connector switch: 1 switch installed per cylinder)	Welker	4-Wire, 4-Pin, DC (PNP) M12 X 1 Quick Disconnect
	<b>L5</b>	MK5113 (Single sensor, single connector switch: 2 switches installed per cylinder)	ifm Efelector	3-Wire, 4-Pin, DC (NPN) M12 X 1 Quick Disconnect

**Standard Switch Option - All other options may affect price and delivery**

(DO NOT SCALE DRAWING)

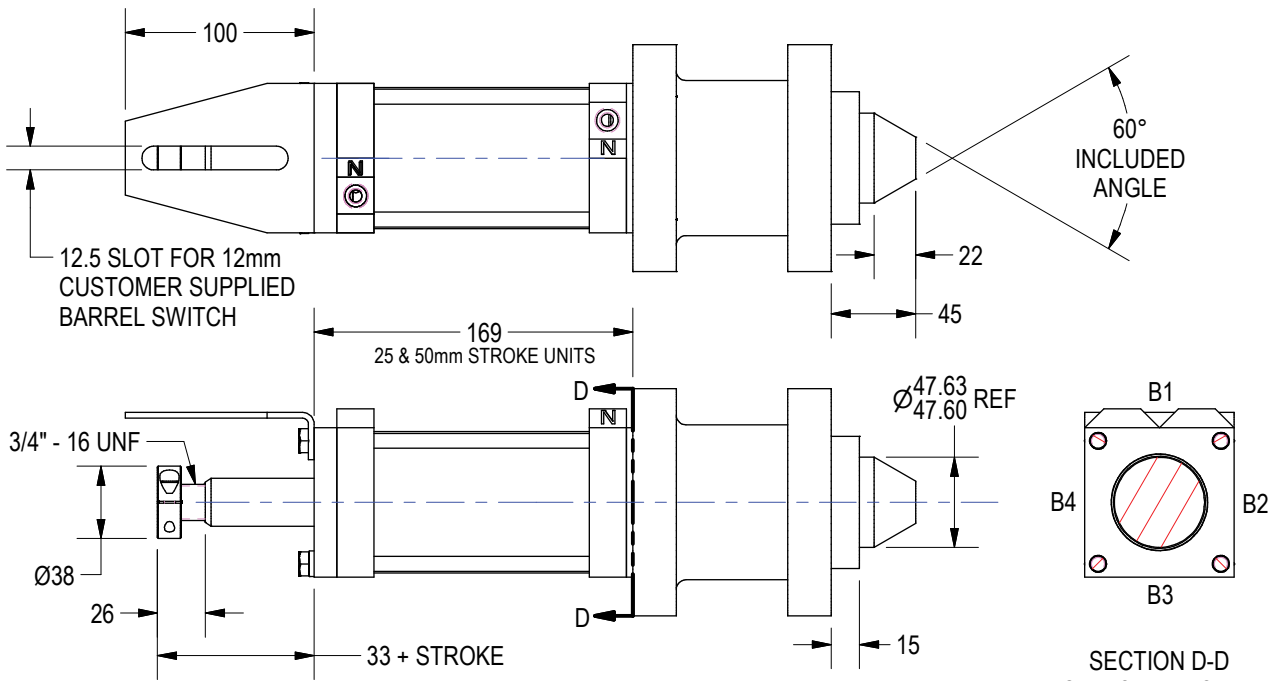
ENGINEERED PRODUCTS

(800) 229-0890 www.welkerproducts.com



**FLAT PIN**  
**RETRACTED POSITION**  
 SHOWN WITH CYLINDER SWITCH OPTION "L0"

4X M12 X 1.75 TAP THRU  
 EVENLY SPACED ON Ø100 B.C.  
 (CLEARANCE FOR M10 SCREWS  
 FROM FARSIDE)



**CONICAL PIN**  
**RETRACTED POSITION**  
 SHOWN WITH CYLINDER SWITCH OPTION "B1" &  
 DOUBLE ROD OPTION

SECTION D-D  
 SWITCH BRACKET  
 POSITIONS

**NOTES:**

- ALL RAMS ARE HARDENED 4140 Rc 45 MIN.
- CYLINDERS INCLUDE MAGNETIC PISTON
- OPTIONAL SPRING EXTEND  
 (AIR LOSS TRIGGERS MECHANICAL SPRING EXTENSION)
- MAX WEIGHT WITH 50mm STROKE: 21.5 lbf

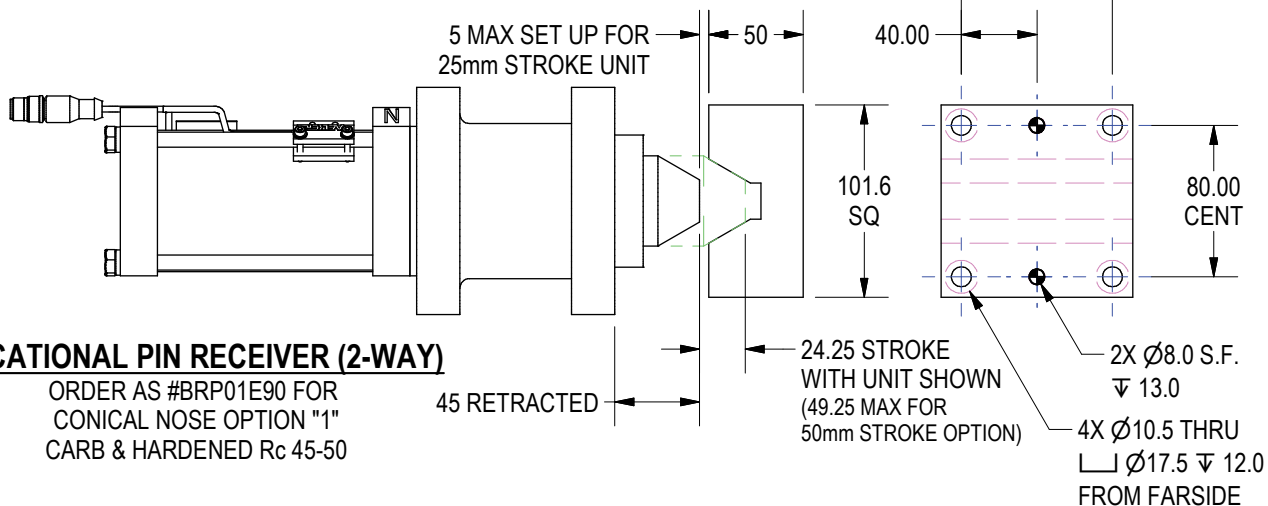
(DO NOT SCALE DRAWING)



ENGINEERED PRODUCTS

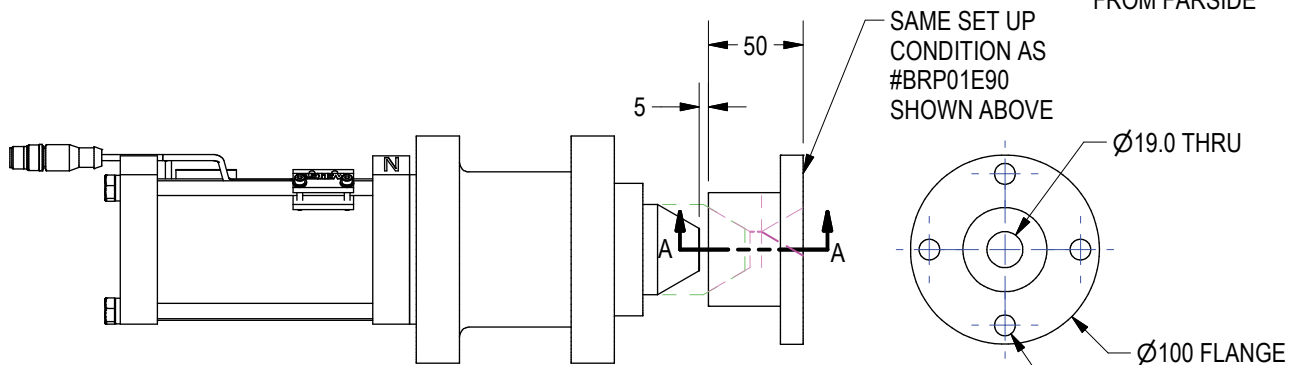
(800) 229-0890 www.welkerproducts.com

# BP4 RECEIVERS



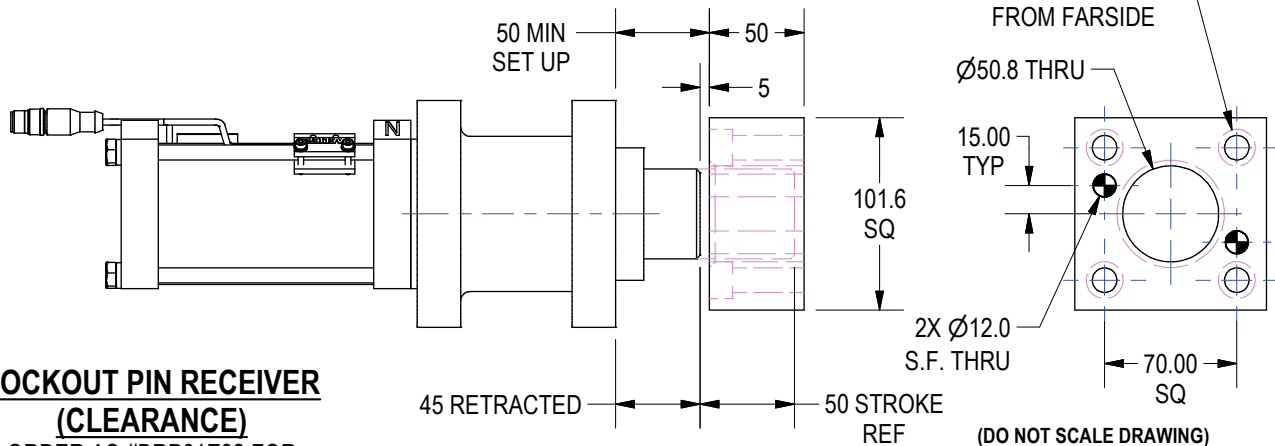
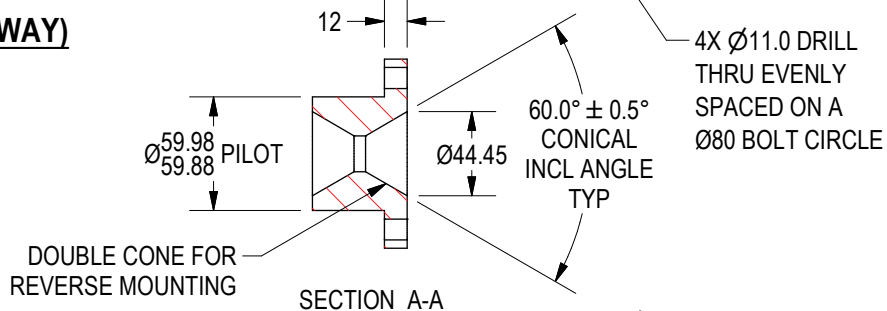
## LOCATIONAL PIN RECEIVER (2-WAY)

ORDER AS #BRP01E90 FOR CONICAL NOSE OPTION "1" CARB & HARDENED Rc 45-50



## LOCATIONAL PIN RECEIVER (4-WAY)

ORDER AS #BRP01E91 FOR CONICAL NOSE OPTION "1" CARB & HARDENED Rc 45-50



## LOCKOUT PIN RECEIVER (CLEARANCE)

ORDER AS #BRP01E92 FOR NOSE OPTION "2"

**WELKER**  
ENGINEERED PRODUCTS  
(800) 229-0890 www.welkerproducts.com