

OTHER CUSHIONS AVAILABLE FOR DIFFERENT WEIGHTS AND SPEEDS

ORDER INFORMATION

**CMX 08** **A 00**

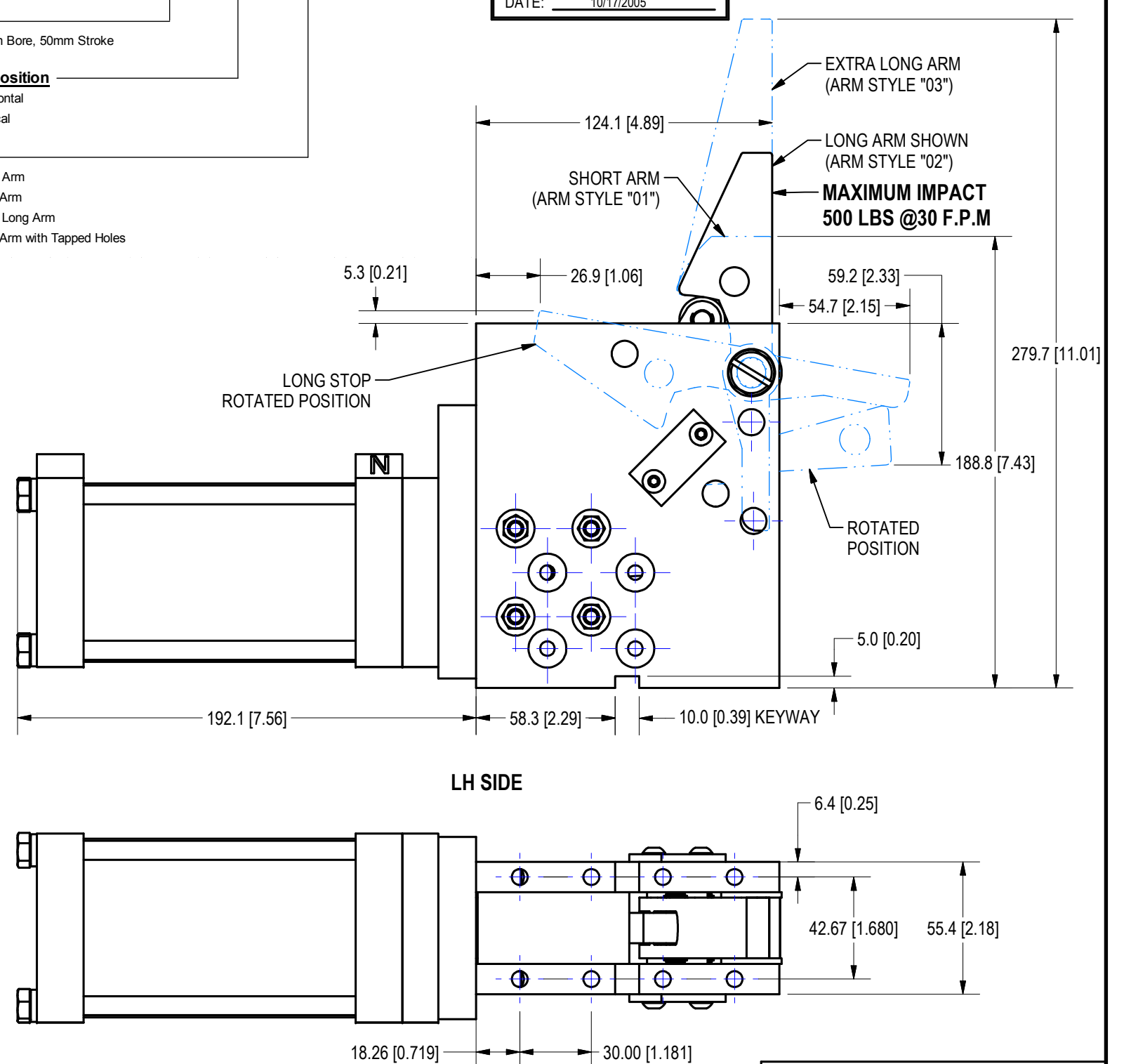
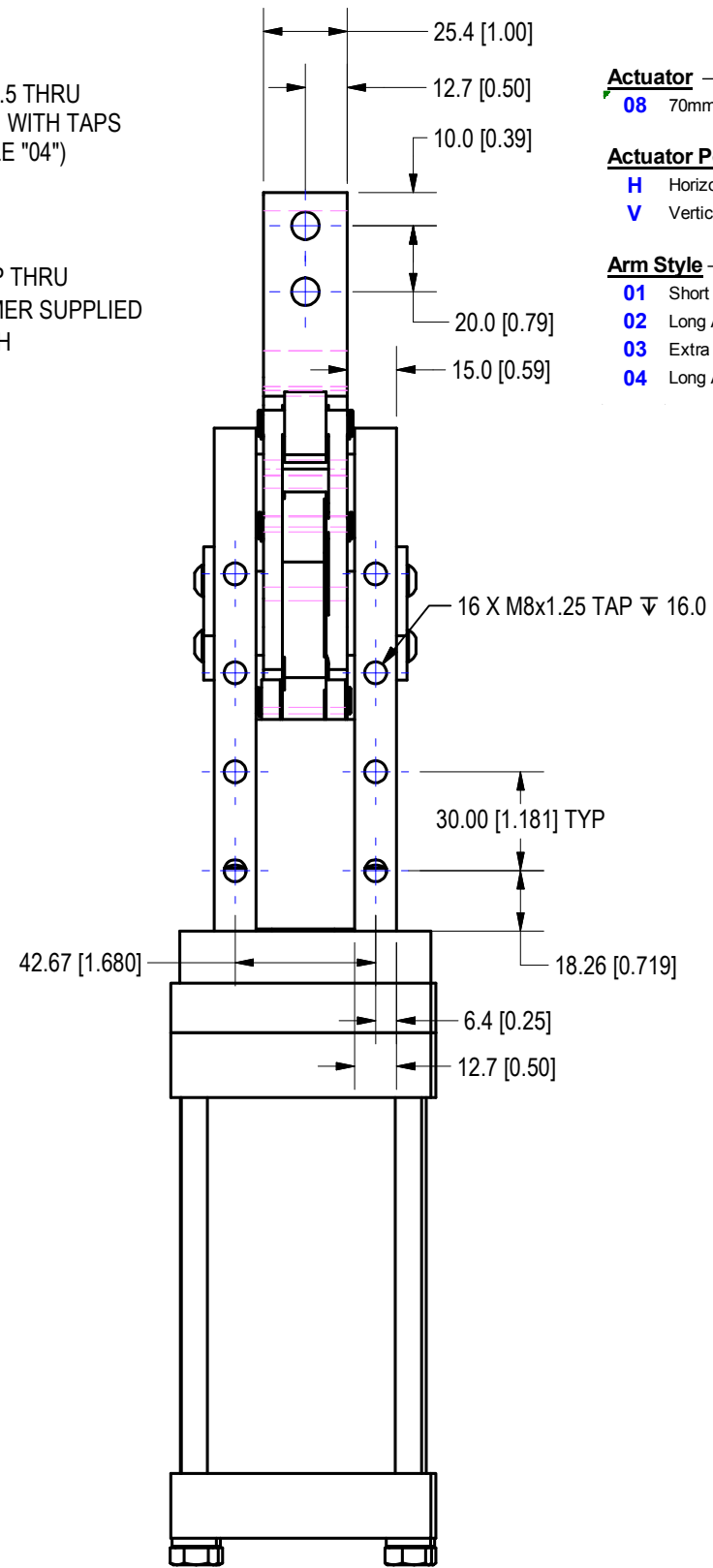
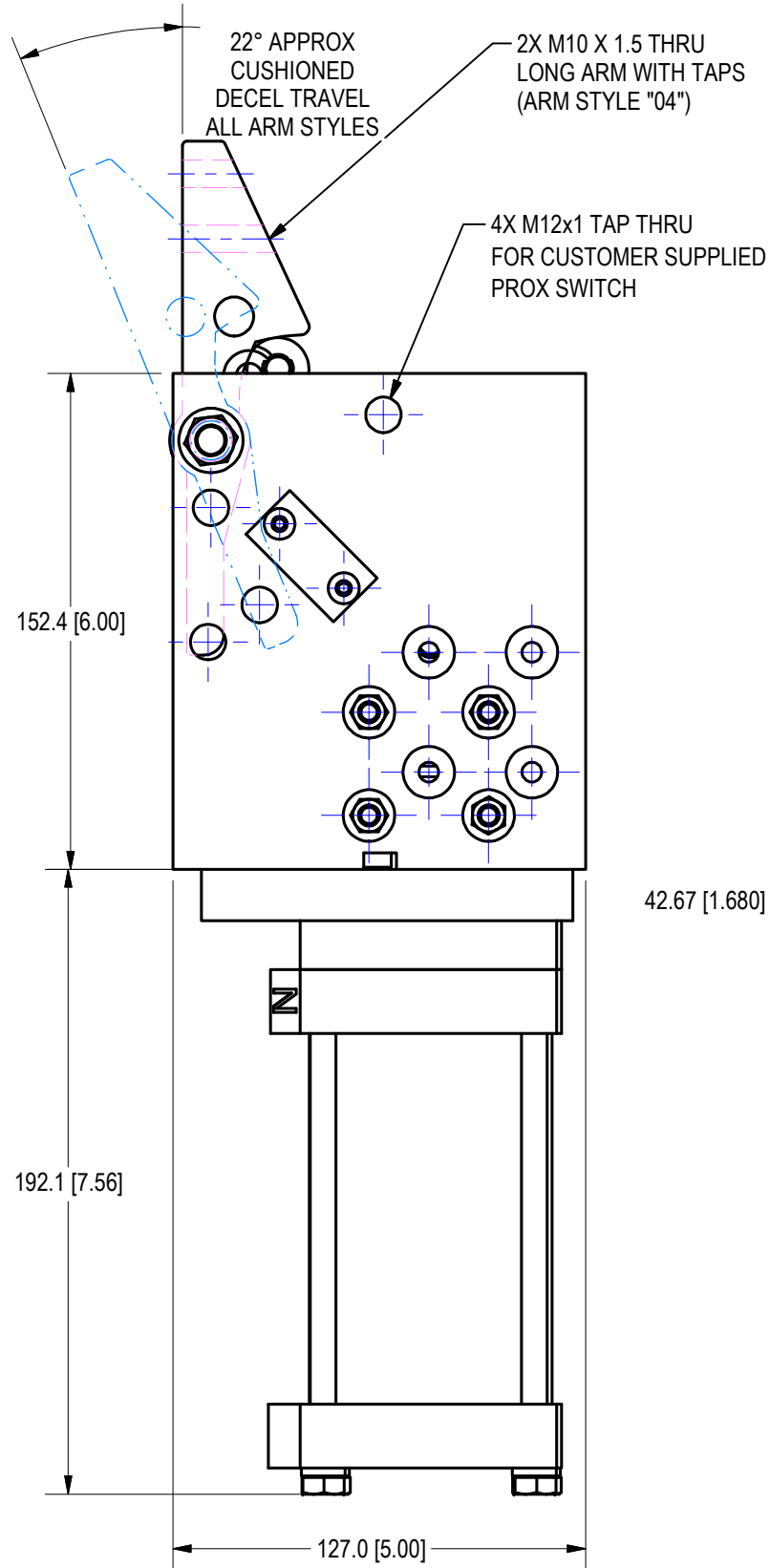
APPROVAL

APPROVED:   
 AS NOTED:   
 BY: R.A.  
 DATE: 10/17/2005

**Actuator**  
**08** 70mm Bore, 50mm Stroke

**Actuator Position**  
**H** Horizontal  
**V** Vertical

**Arm Style**  
**01** Short Arm  
**02** Long Arm  
**03** Extra Long Arm  
**04** Long Arm with Tapped Holes



**ACTUATOR 08**

PATENT #6,119,843  
 OTHER PATENTS PENDING

UNITS ARE MILLIMETERS  
 (i.e.X.XXmm [x.xxx"])  
 DO NOT SCALE DRAWING

DATE		STATUS		DRAWN BY		DATE		CHKD BY		ENG APPROVAL	
4/8/2016		Quick Change		JMP		10/19/2005		AMD		R.A.	
SCALE		N/A		FILE NAME		CMXL01					

**WEKER BEARING COMPANY**

TOOL NAME: PALLET STOP TEMPLATE