

WELKER FLEX-E-FACTOR™

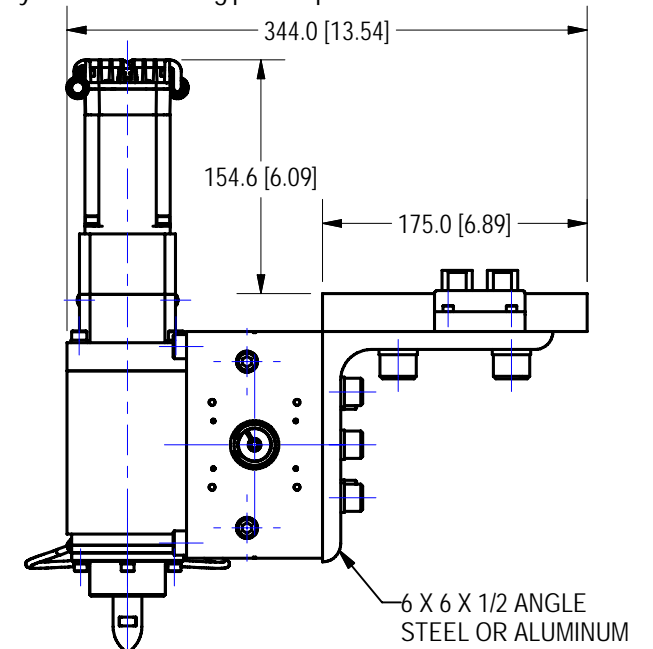
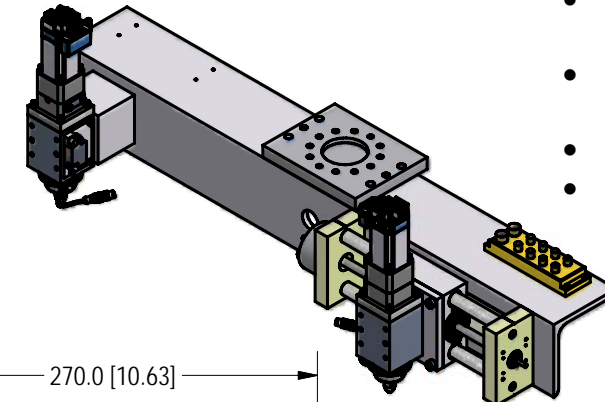
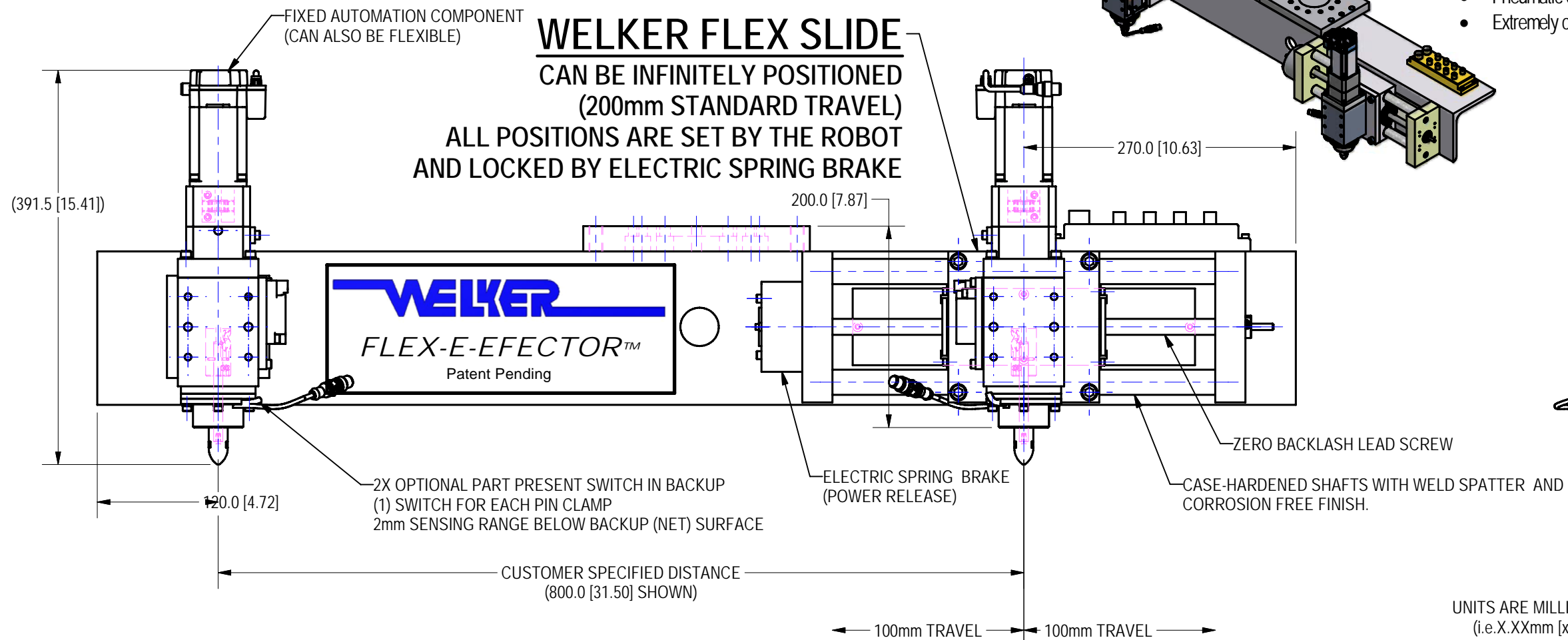
FLEXIBLE END EFFECTOR
(For Respot and Material Handling)

FEATURES

- Perfect for part families, pedestal welding, multiple bracket loading, model changeover
- Eliminates multiple end effectors and expensive robot tool changers
- All electric components are pre-wired into a powered DeviceNet block or Ethernet block
- Complete plug-n-play with 2 wire dress
- Smart backup contains prox switch for part present
- Faster changeover
- Infinitely adjustable
- Standard 200mm carriage travel
- Slide carriage electrically locks into position
- Can be setup for 2 adjustable or 2 fixed pin clamps or one of each as shown
- Can also be used to mount grippers, power clamps, shot pins, etc
- Pneumatic or electric automation components available
- Extremely cost effective using pin clamps

WELKER FLEX SLIDE

CAN BE INFINITELY POSITIONED
(200mm STANDARD TRAVEL)
ALL POSITIONS ARE SET BY THE ROBOT
AND LOCKED BY ELECTRIC SPRING BRAKE



APPROX WGT: 75#
(WITH ALUM ANGLE @ DIST SHN)

UNITS ARE MILLIMETERS
(i.e. XXmm [x.xxx"])
DO NOT SCALE DRAWING

DATE		STATUS		DRAWN BY		DATE		CHK'D BY		ENG APPROVAL	
2/19/2007		Quick Change		D.J.H.		2/19/2007		J.M.P.			
SCALE		1:5		FILE NAME							

WELKER BEARING COMPANY	
TOOL NAME FLEX-E-FACTOR	
TEMPLATE	