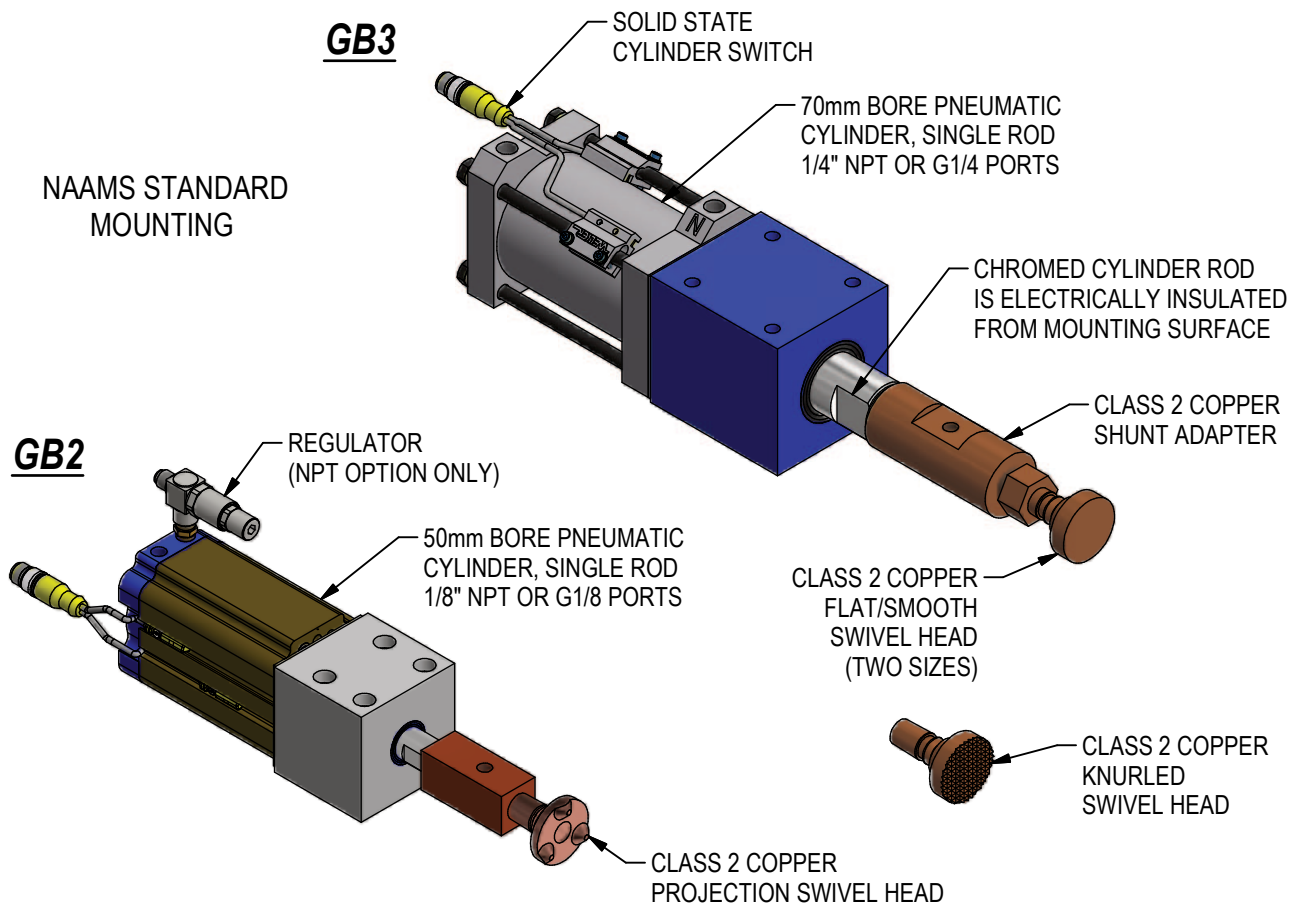


GROUND BLOCK RETRACT CYLINDERS

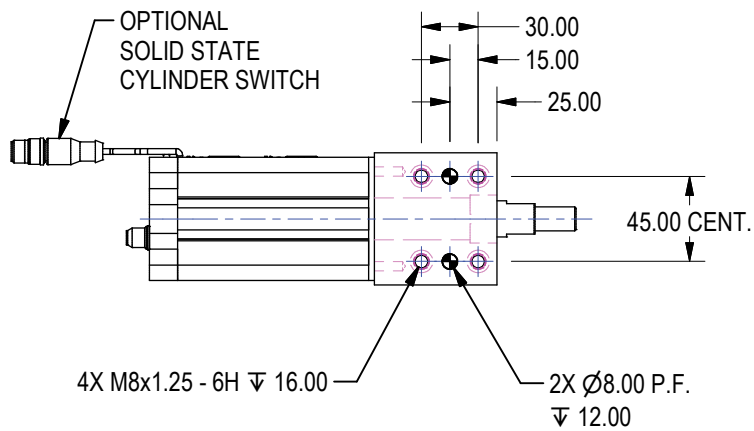
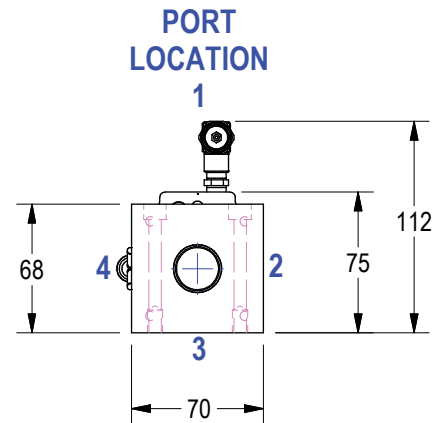
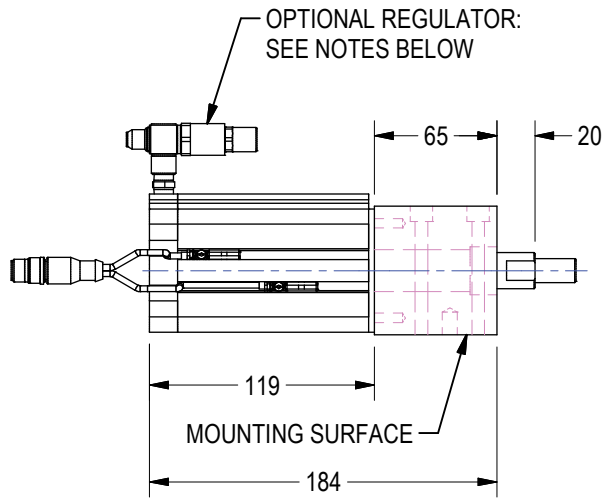
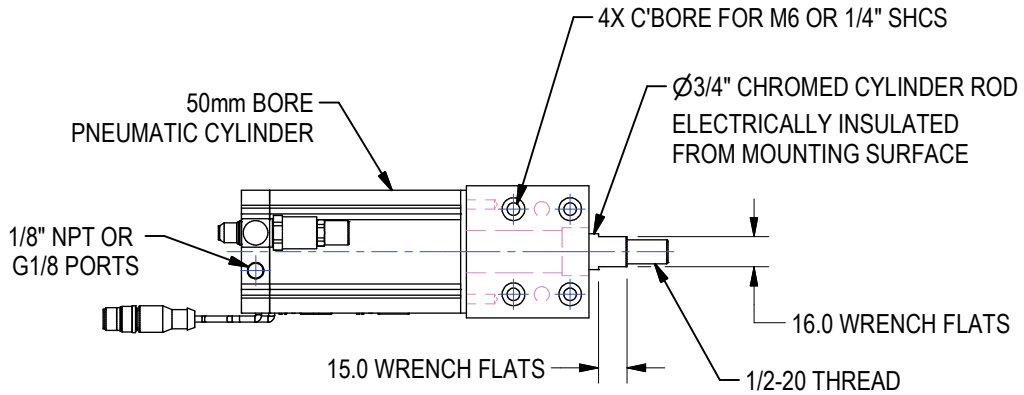
FOR ALL MIG & ARC WELDING APPLICATIONS IN FIXTURES, TRUNIONS, AND DIAL TABLES.
INSULATED GROUND BLOCK CYLINDERS ARE IDEAL FOR SINGLE-POINT WELDING.



- THE GB SERIES GROUND BLOCK CYLINDERS PRODUCE A CONSISTENT PRESSURIZED GROUND, EVEN AFTER SIGNIFICANT ELECTRODE WEAR, BY SHORT-STROKING THE CYLINDER 10mm. INCREASES WELD CONSISTENCY.
- RETRACTABLE GROUND BLOCKS ALLOW EASY PART REMOVAL OR TRANSFER.
- FITS STANDARD #2MT SWIVEL FOOT GROUND BLOCKS. BI-DIRECTIONAL BODY MOUNTING; FLOOR OR REMOTELY MOUNTED. LUBRICATION-FREE DESIGN.
- INEXPENSIVE COMPARED TO MACHINED GROUND BLOCKS.
- **RATED FOR 10,000 AMPS, MAX 30,000 AMPS**

REV 12/4/17

GB2 DIMENSIONS



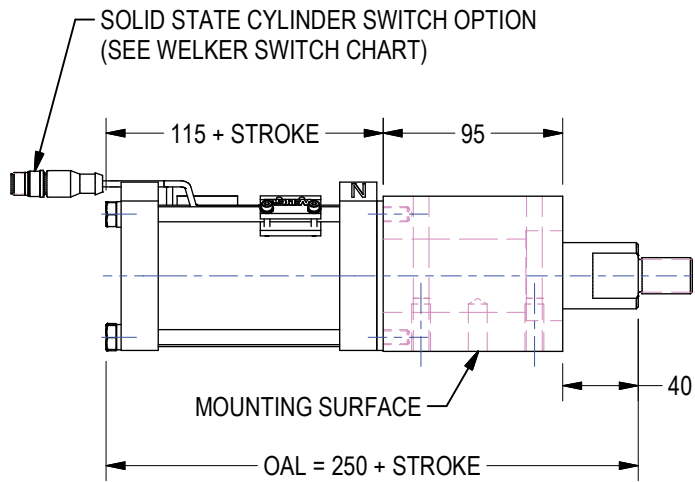
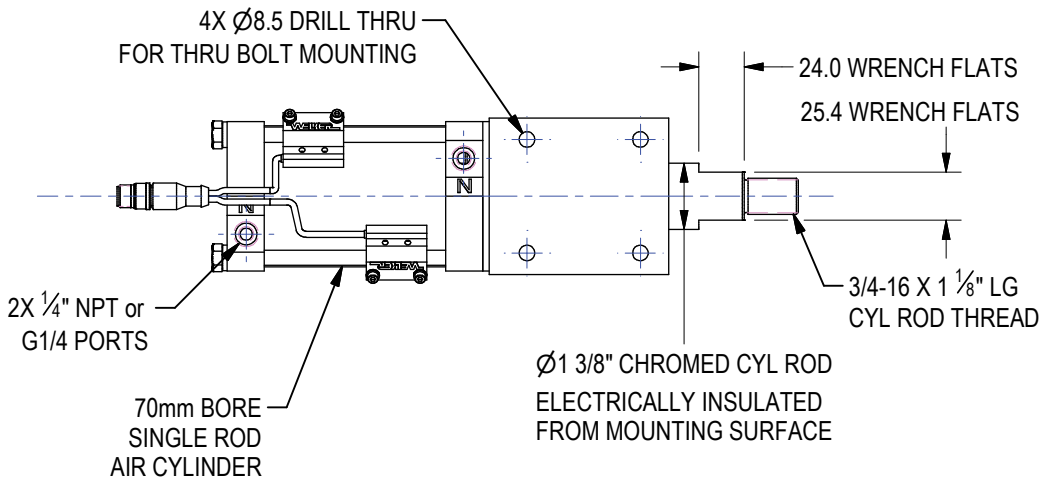
APPROX. WEIGHT: 6.2 LBS

REGULATOR NOTES:

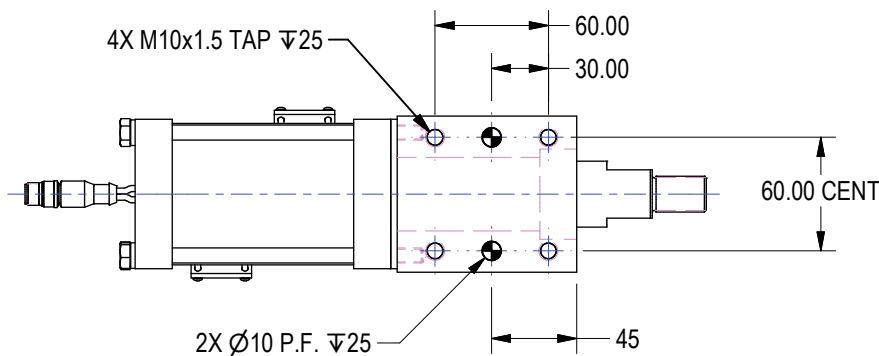
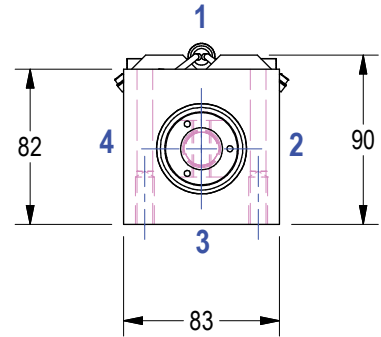
1. FOR NPT OPTION ONLY
2. MINIMUM OUTPUT FORCE IS 45lbf @ 16 PSI

(DO NOT SCALE DRAWING)

GB3 DIMENSIONS



PORT LOCATION

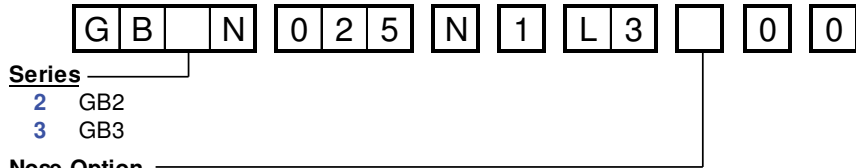


UNIT WEIGHTS**	
UNIT STROKE	WEIGHT
25mm	11.5 LBS
32mm	11.5 LBS
50mm	12.5 LBS
75mm	13.0 LBS
100mm	13.5 LBS

**WEIGHTS SHOWN ARE APPROXIMATE AND WILL VARY WITH OPTION SELECTION.

(DO NOT SCALE DRAWING)

NOSE OPTIONS



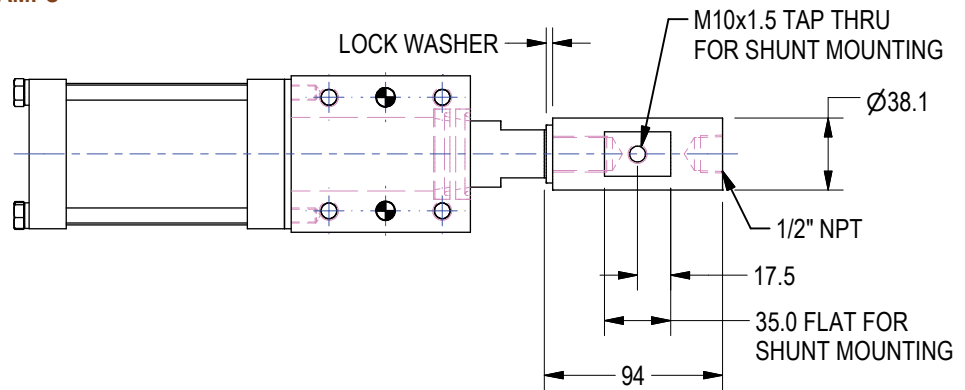
- Series**
- 2 GB2
 - 3 GB3

- Nose Option**
- 0 None
 - A Copper shunt adapter
 - B Copper shunt adapter w/ Flat Swivel head
 - C Copper shunt adapter w/ Serrated Swivel head
 - D Copper shunt adapter w/ Projection Swivel head
 - E Copper shunt adapter w/ Small Flat Swivel head

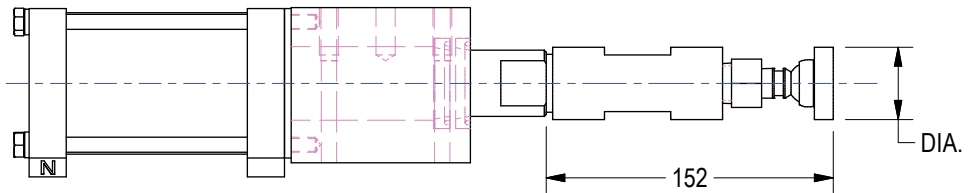
***SWIVEL HEADS ARE CLASS 2 COPPER
RATED FOR 10,000 AMPS
MAXIMUM 30,000 AMPS**



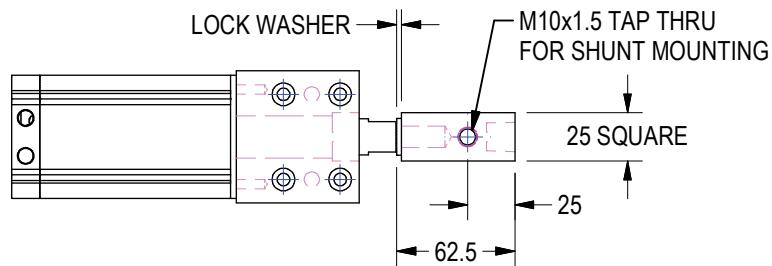
GB3 NOSE OPTION A



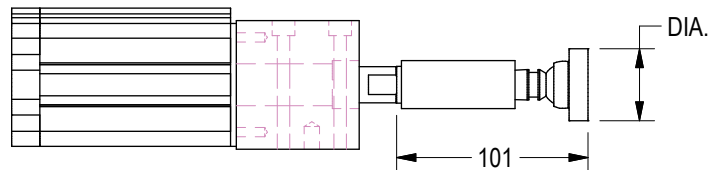
GB3 NOSE OPTIONS B, C, D, E



GB2 NOSE OPTION A



GB2 NOSE OPTIONS B, C, D, E



DIA.: NOSE OPTION DIAMETER (mm)			
B	C	D	E
38.1	38.1	38.1	22.2