

ORDERING INFORMATION

S 0 1 5 9 2 - N 1 A 1 L 3 X 0

Port Type

- N NPT Ports
- G G Ports

Port Location

- 1 "1" Shown (2, 3 or 4)

Arm Style

- A Arm Style "A" Shown

Arm Location

- 3 Arm Location "3" Shown

Cylinder Switch

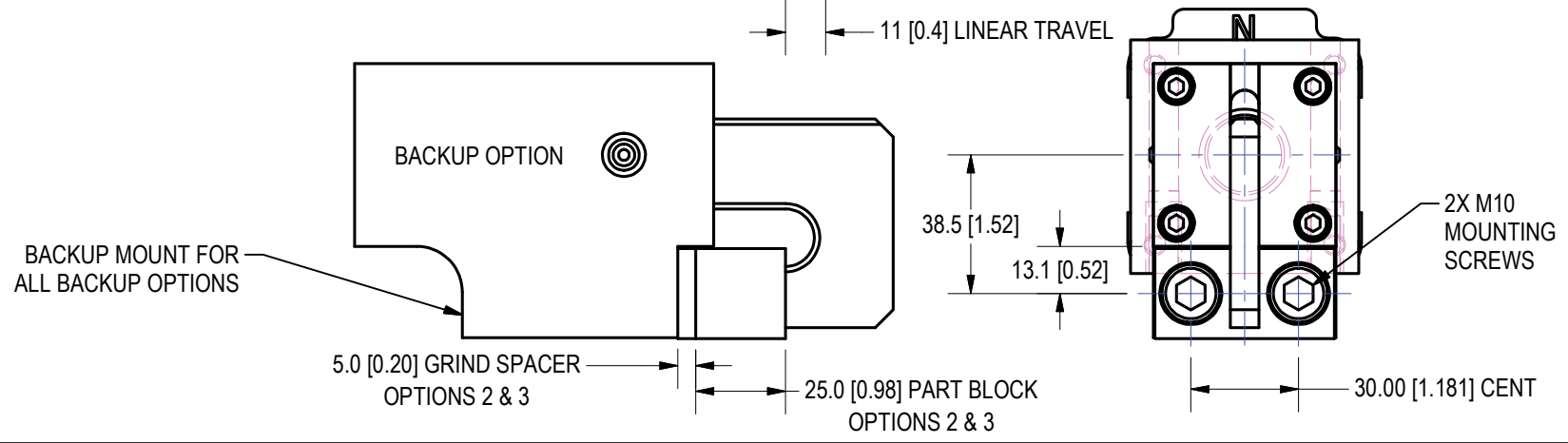
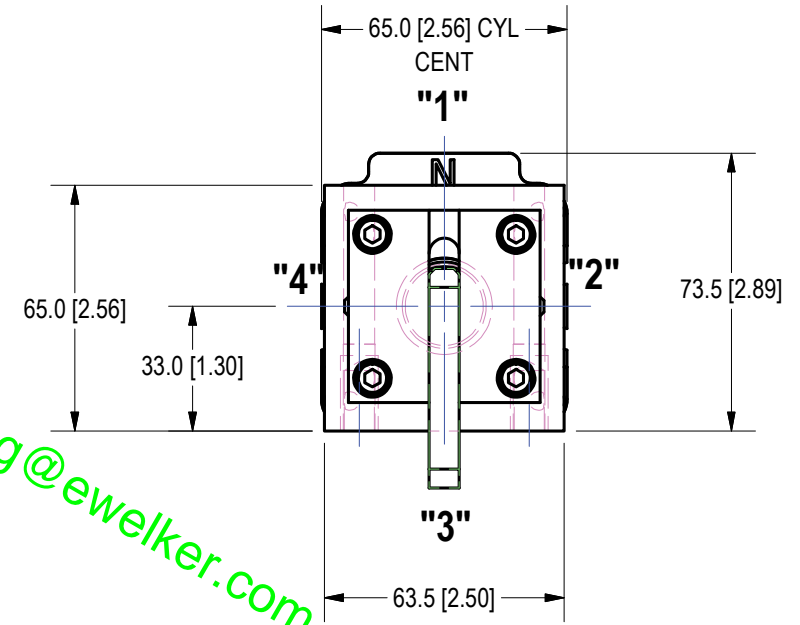
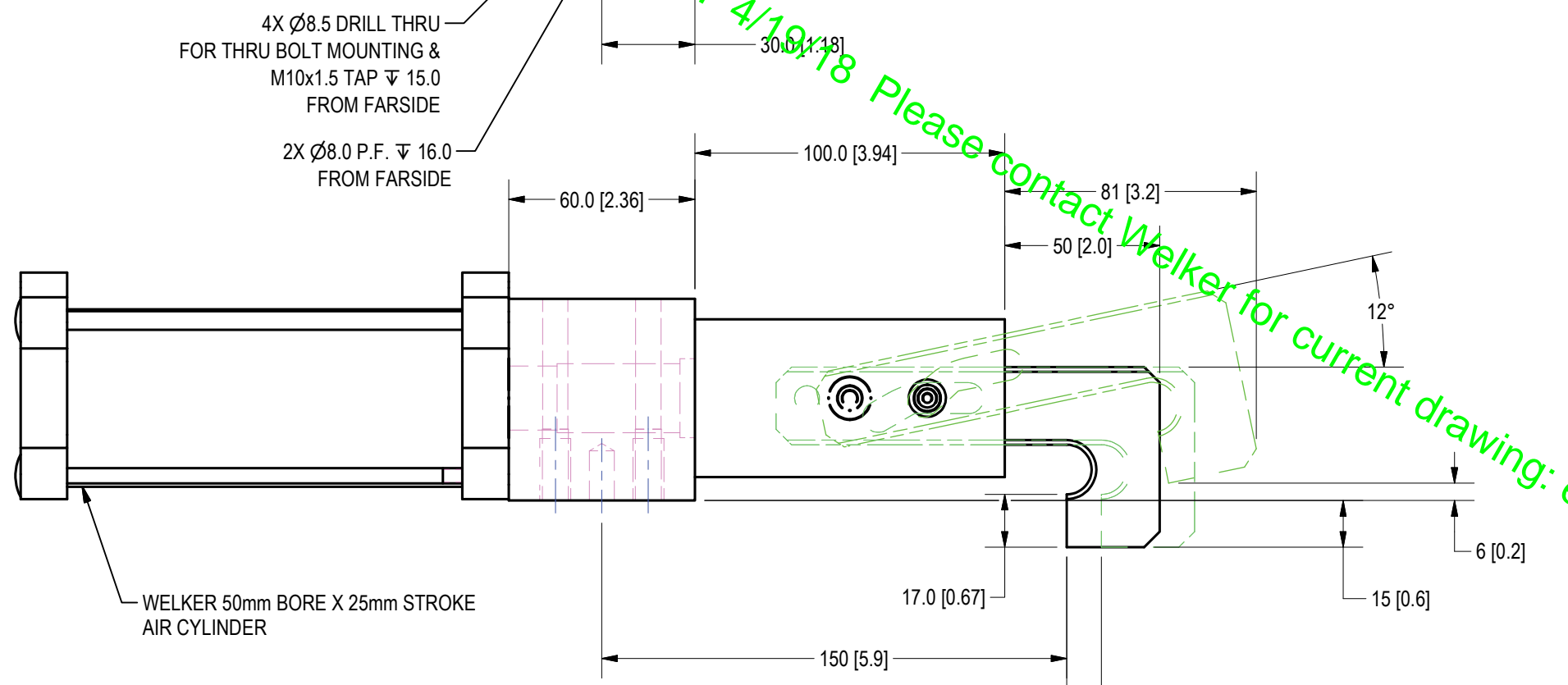
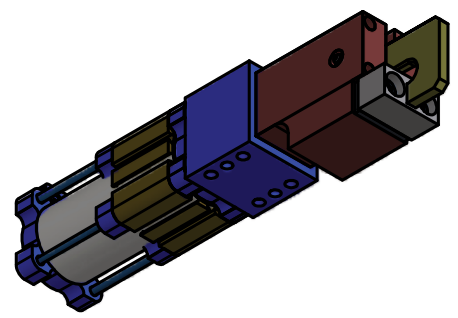
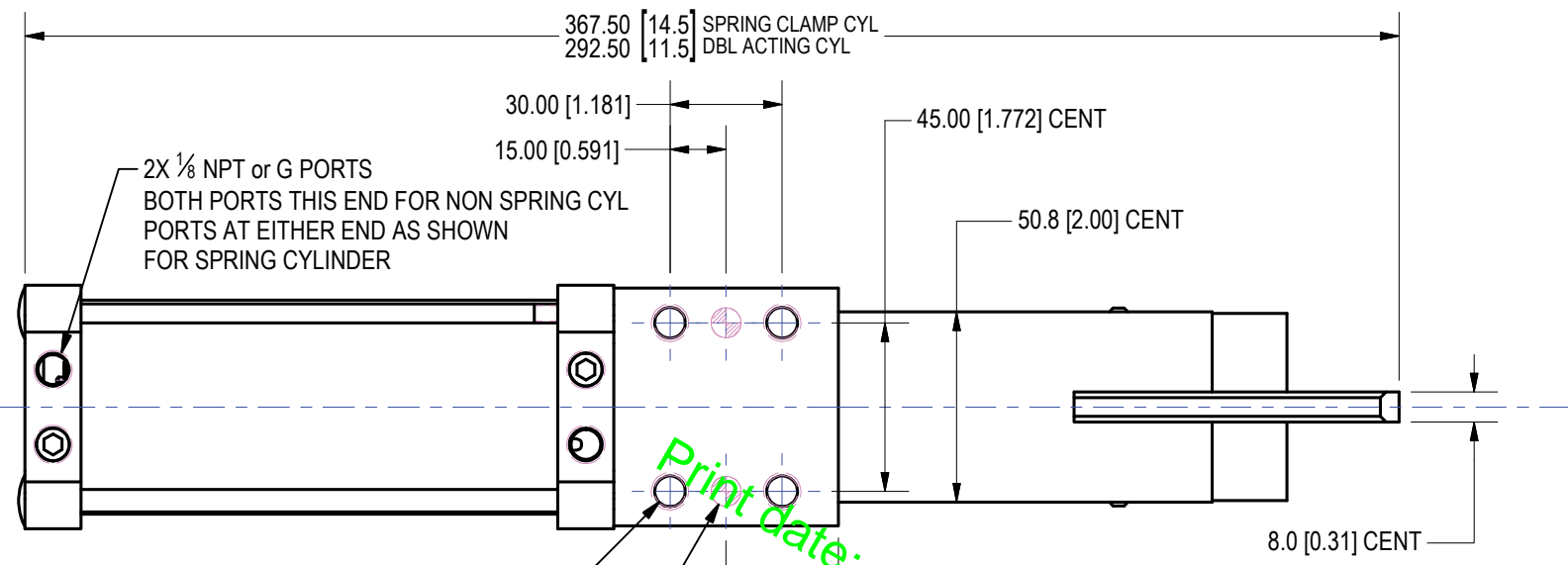
- 00 No switch
- LX See Welker Cylinder Switch Chart

Spring Clamp

- X No Spring
- E Spring Clamp

Backup Option

- 0 No Backup
- 1 Backup Mount
- 2 Backup w Smart Stop
- 3 Backup w NAAMS



Switch Option	Part Number	Manufacturer	Description
L3	SWITCH L3 L3 switch is weld field immune, comparable to World Switches. L3 is a dual sensor, single connector switch. 1 switch required per cylinder	Welker	4-Wire, 4-Pin, DC (PNP) M12 X 1 Quick Disconnect
L5	MKS113 Single sensor, single connector switch. 2 switches required per cylinder	ifm Effector	3-Wire, 4-Pin, DC (NPN) M12 X 1 Quick Disconnect

Standard Switch Option - All other options may affect price and delivery

UNITS ARE MILLIMETERS
(i.e.X.XXmm [x.xxx"])
DO NOT SCALE DRAWING

WELKER BEARING COMPANY					
TOOL NAME: HC2 HOOK CLAMP					
TEMPLATE					
DATE	STATUS	DRAWN BY	DATE	CHK'D BY	ENG APPROVAL
5/23/2014	Released	DJH	5/23/2014	AMD	
SCALE: 1:2		FILE NAME: S01592L01			

Print date: 4/19/18 Please contact Welker for current drawing: eng@ewelker.com