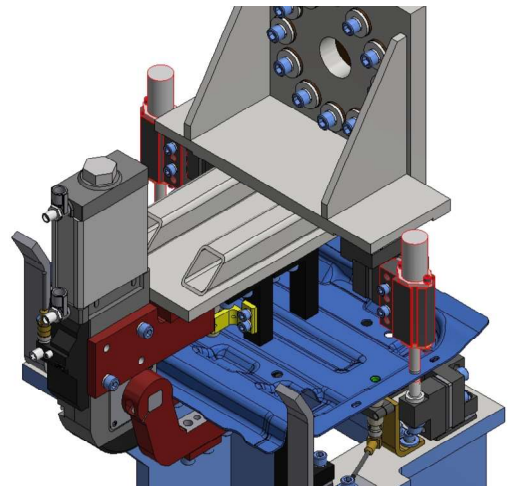
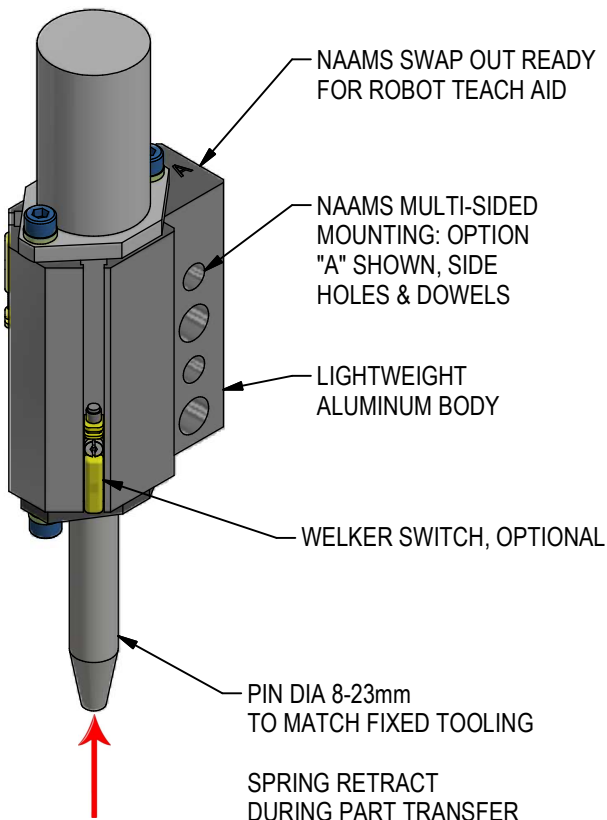
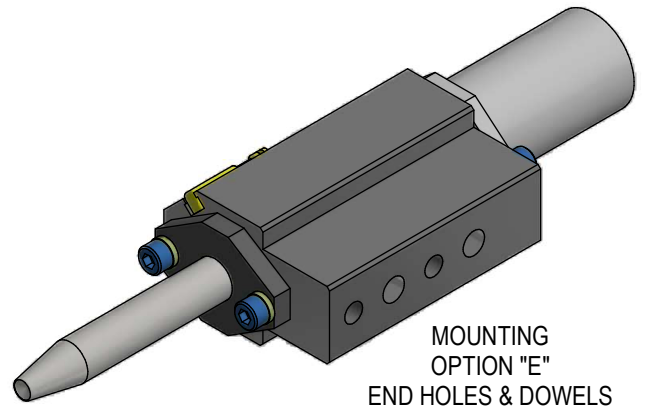


RTP ROBOT TRANSFER PIN

- 8 - 23mm PIN DIAMETERS
- ROUND PIN ONLY, NO ANTI-ROTATE
- 50mm STROKE, SPRING LOADED

CONCAVE PIN TIP MEETS THE FIXTURE'S LOCATING PIN AND MAINTAINS SPRING FORCE CONTACT, WHILE PART IS TRANSFERRED.

PIN-TO-PIN TRANSFER ALLOWS USE OF THE SAME HOLES IN PARTS WITHOUT USING NON TOLERANCE HOLES.

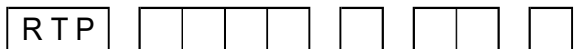


APPLICATIONS:

ROBOT TEACH AID
END OF ARM TOOLING
PASS TABLE
LOAD TABLE
MATERIAL HANDLING
PASS-OFF APPLICATION

RELEASED 10/25/23

ORDERING INFORMATION



Pin Diameter

XXXX (i.e. 8.00mm Pin = 0800)
8.00mm-23.00mm Dia Range

Body Style

- A** 11.0 Dia thru & 8.00 Dia Dowels (Side)
- B** M10 Tap thru & 8.00 Dia Dowels (Side)
- C** 9.0 Dia thru & 8.00 Dia Dowels (Side)
- D** M8 Tap thru & 8.00 Dia Dowels (Side)
- E** M8 Tap & 8.00 Dia Dowels (End)

Switch

- 00** No Switch
- L3** Welker Solid State Cylinder Switch**

Spring

- 0** Standard Spring
- 1** Light Load Spring

Standard option - all other options may affect price and delivery

GOOD APPLICATIONS:

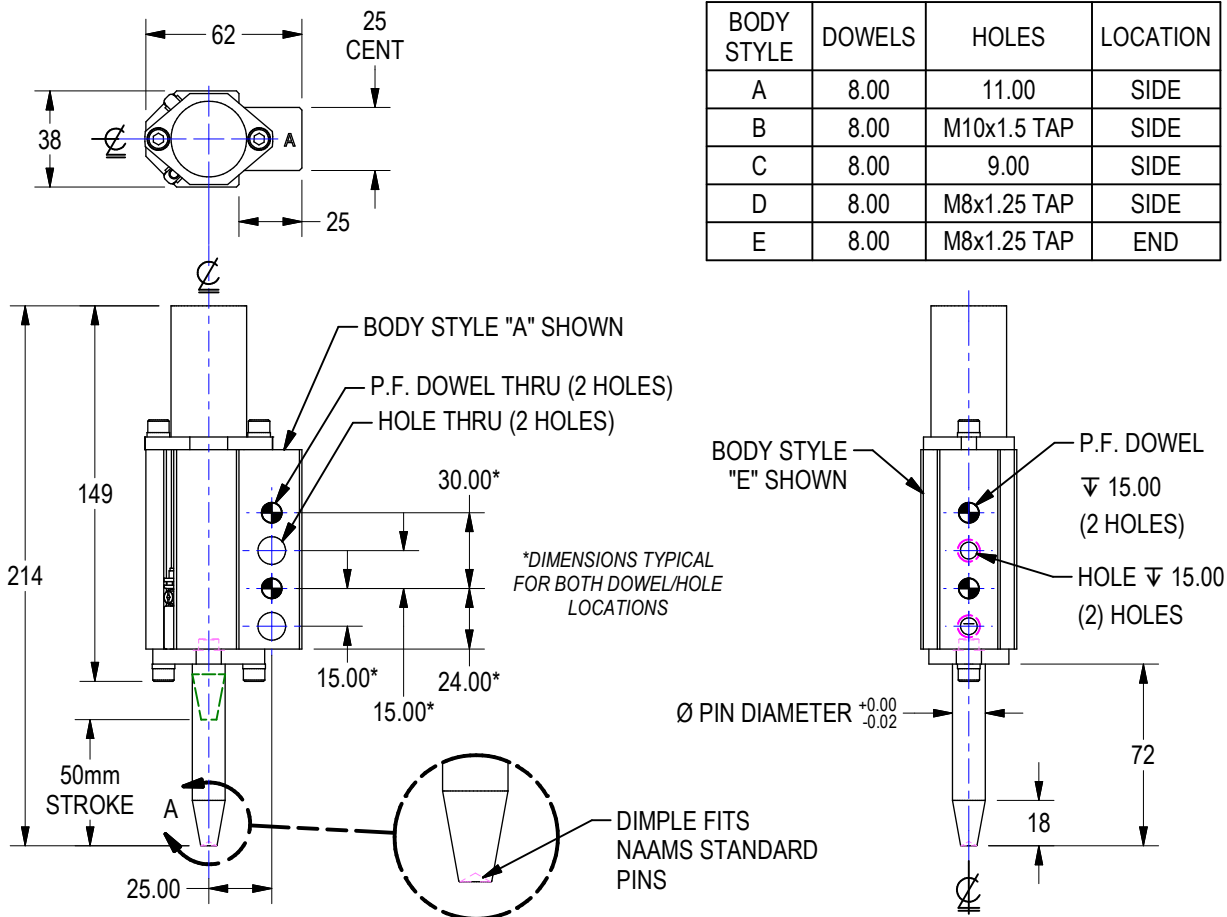
- ROBOT TEACH AID
- END OF ARM TOOLING
- PASS TABLE
- LOAD TABLE
- MATERIAL HANDLING
- PASS-OFF APPLICATION

BAD APPLICATIONS:

- NO-HOLE
- PARTS NOT CLAMPED
- PICK MISALIGNED
- PIN LINE-UP NOT THE SAME ANGLE

SPRING PRESSURE		
SPRING:	STANDARD	LIGHT LOAD
PIN EXTEND	5.0 LBS	3.0 LBS
PIN RETURNED	25.0 LBS	16.0 LBS
MAX COMPRESSION	50.0mm	50.0mm

GENERAL DIMENSIONS



BODY STYLE	DOWELS	HOLES	LOCATION
A	8.00	11.00	SIDE
B	8.00	M10x1.5 TAP	SIDE
C	8.00	9.00	SIDE
D	8.00	M8x1.25 TAP	SIDE
E	8.00	M8x1.25 TAP	END

**L3 switch is weld field immune, comparable to World Switches. Note that some mid and low frequency DC resistance applications (i.e. aluminum resistance welding applications) may cause a fault. In these applications, it is recommended that the sensor be ignored/bypassed during the welding cycle.

(DO NOT SCALE DRAWING)

ENGINEERED PRODUCTS
800-229-0890 www.welkerproducts.com

REPLACEMENT PARTS

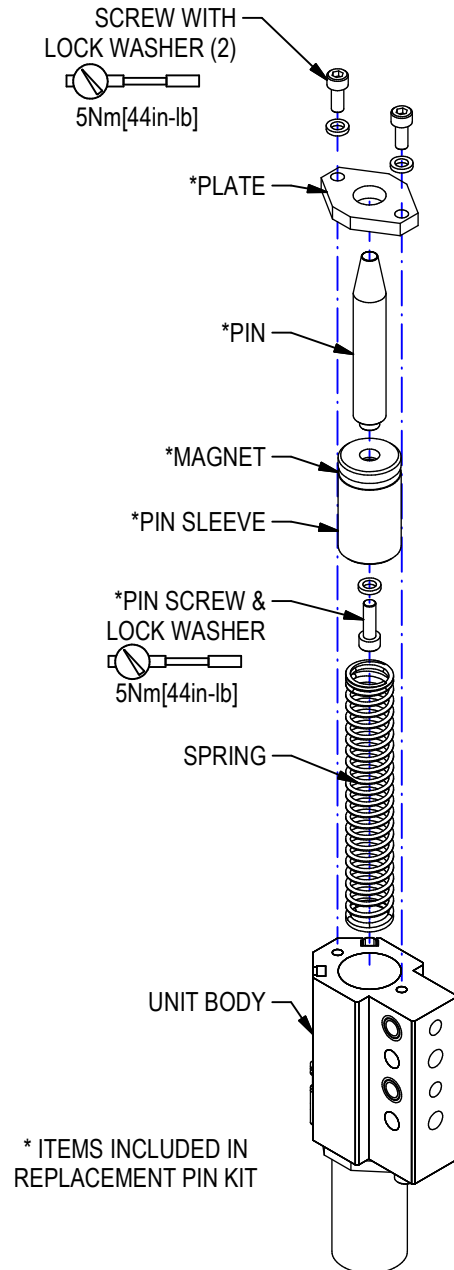
QTY	STOCK*	DESCRIPTION	PART NUMBER
1		STANDARD SPRING	S-1174
1		LIGHT LOAD SPRING	12064
1	1	SWITCH	SWITCH L3
	1	REPLACEMENT PIN KIT *SEE EXPLODED VIEW FOR INCLUDED ITEMS	RTP-PIN-DIA-KIT

*RECOMMENDED SPARE PARTS TO KEEP IN STOCK

TO REPLACE PIN AND/OR SPRING:

NOTE: COMPRESSION SPRING IS UNDER LIGHT PRESSURE

1. DISCONNECT AIR LINES TO UNIT.
2. REMOVE M5 SCREWS & LOCK WASHERS SECURING PLATE TO UNIT BODY.
3. REMOVE PLATE.
4. REMOVE PIN SLEEVE ASSEMBLY AND SPRING.
5. REMOVE PIN SCREW & LOCK WASHER SECURING PIN TO SLEEVE.
6. INSTALL NEW PIN TO PIN SLEEVE, SECURING WITH PIN SCREW & LOCK WASHER. APPLY REMOVABLE THREAD ADHESIVE TO SCREW.
7. APPLY MAGNALUBE-G OR EQUIVALENT TO PIN SLEEVE INSIDE & OUT, SPRING, AND UNIT BODY BORE.
8. INSTALL SPRING TO PIN SLEEVE.
9. REASSEMBLE UNIT. APPLY REMOVABLE THREAD ADHESIVE TO SCREWS. TORQUE TO VALUES SHOWN.



(DO NOT SCALE DRAWING)