

# ORDERING INFORMATION

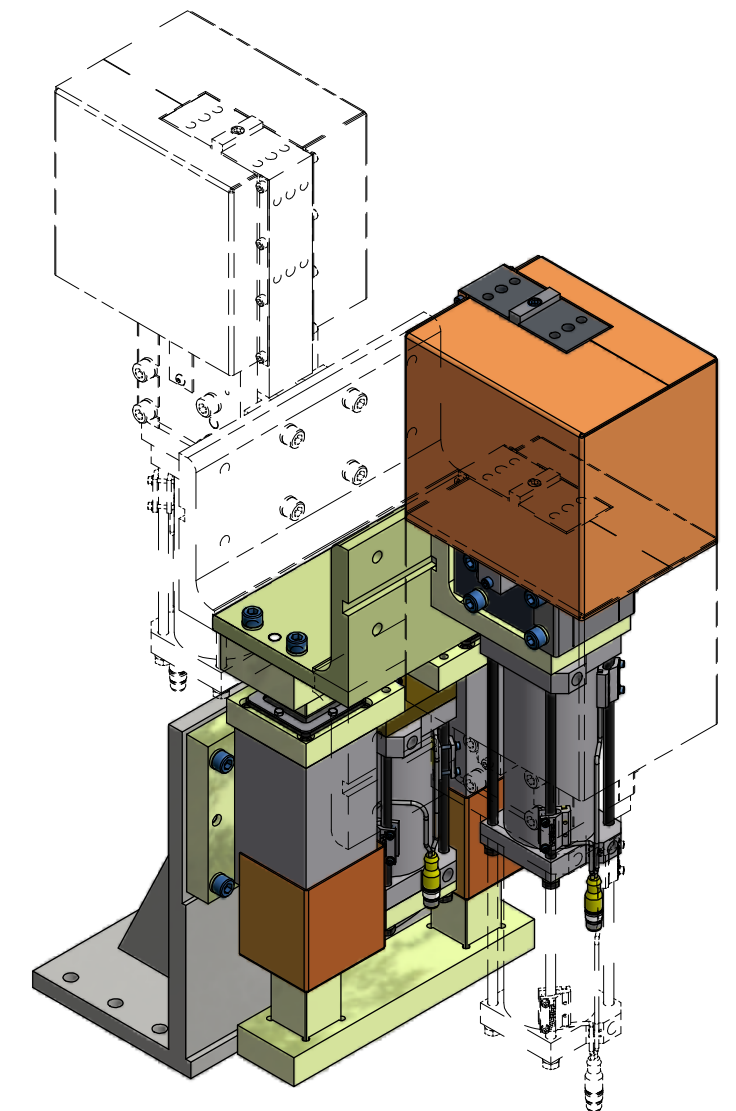
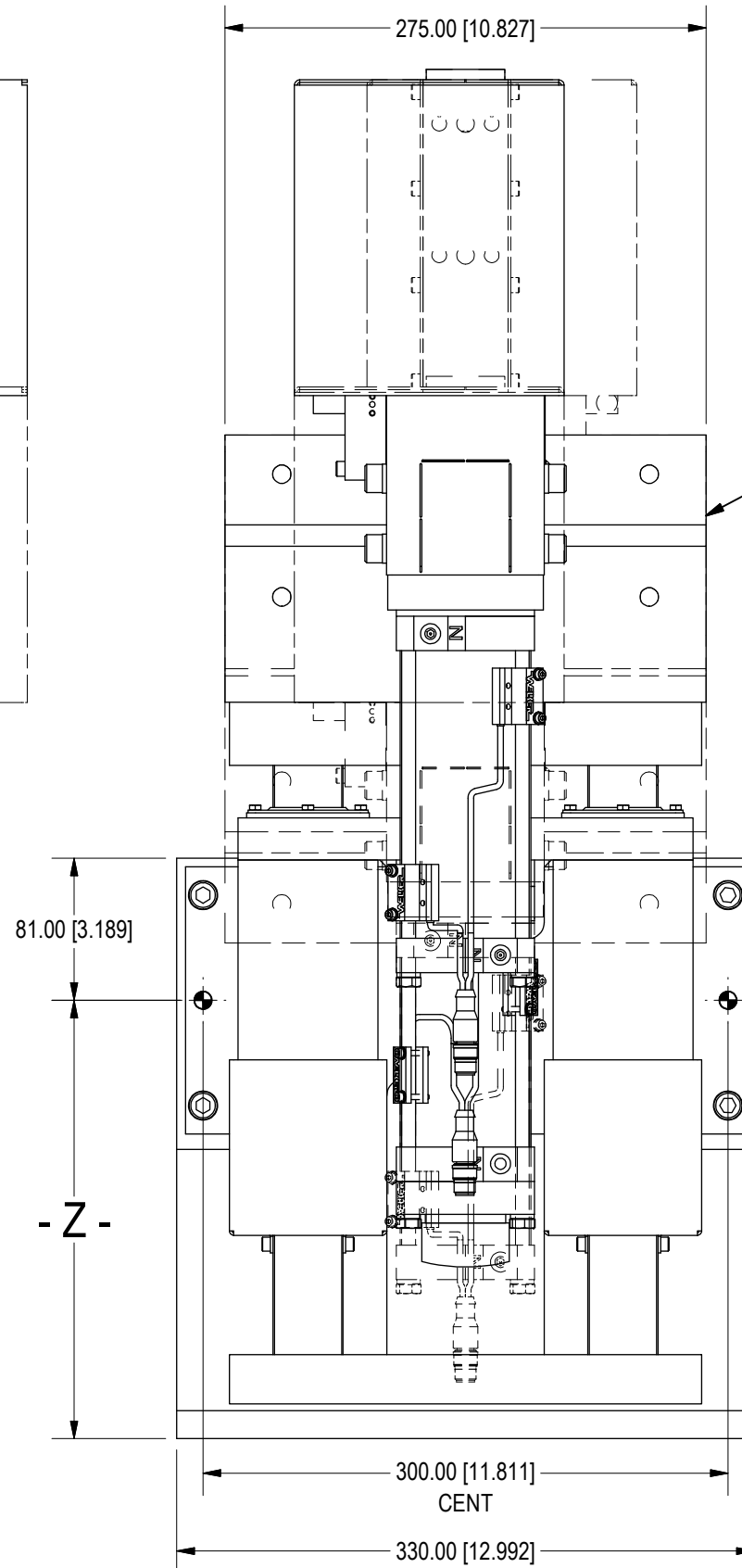
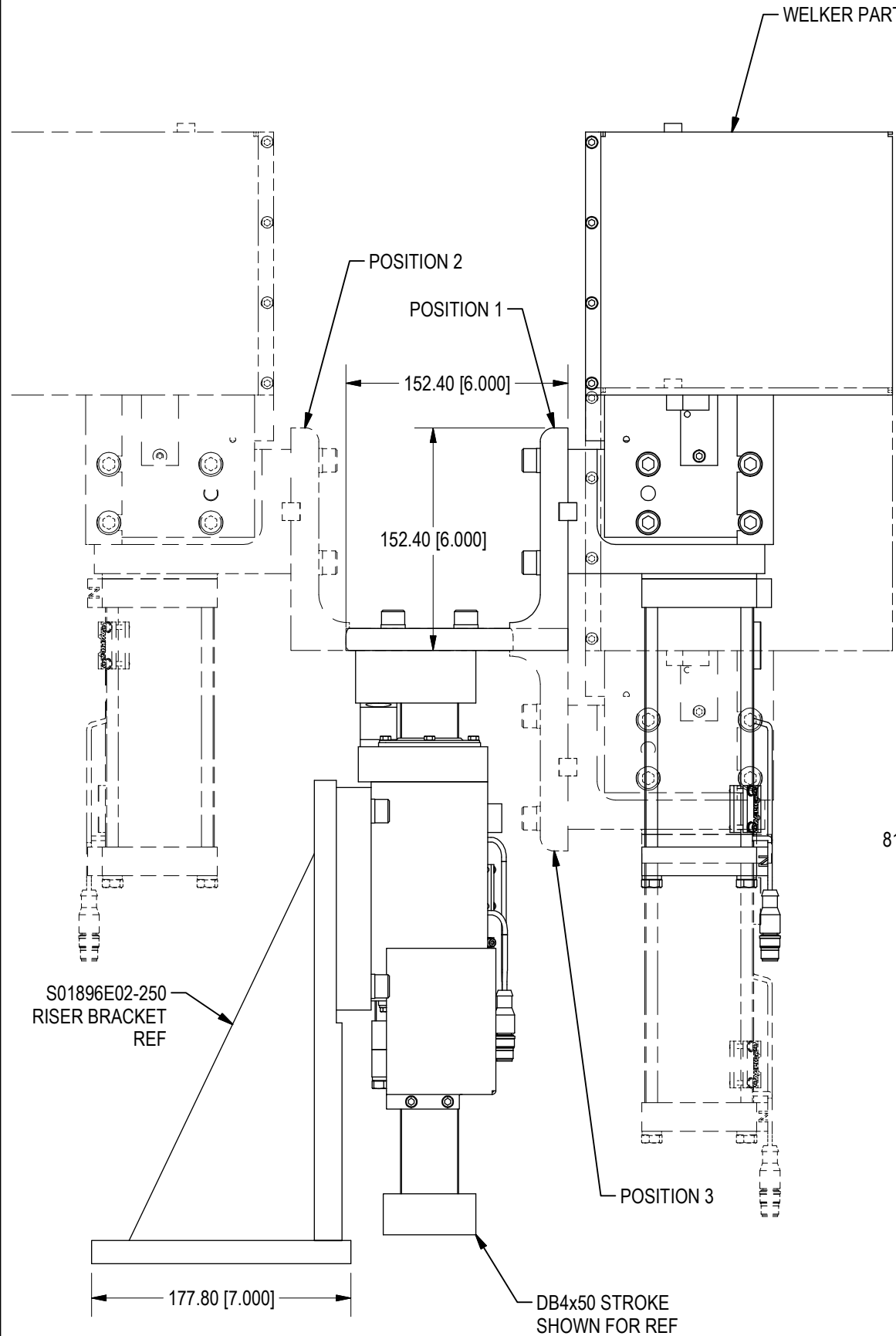
**S 0 1 8 9 6 E 0 1**

ANGLE BRACKET

**S 0 1 8 9 6 E 0 2** - [ ] [ ]

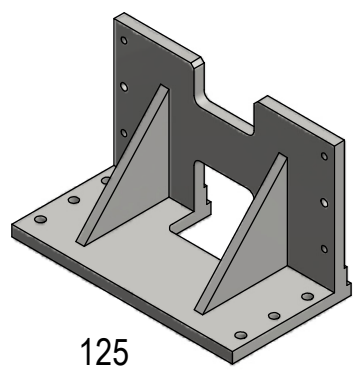
RISER BRACKET

RISER MOUNT HEIGHT - Z - DIM  
 000 = NONE  
 125mm MIN TO 500mm MAX  
 IN 25mm INC

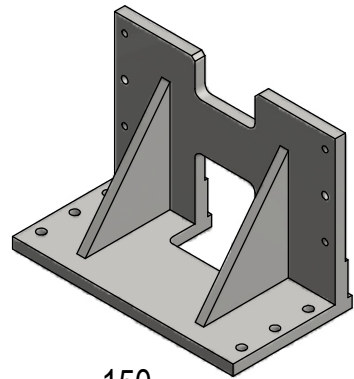


UNITS ARE MILLIMETERS  
 (i.e.X.XXmm [x.xxx"])  
 DO NOT SCALE DRAWING

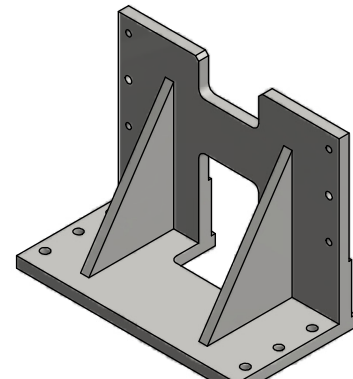
<b>WELKER</b>					
BEARING COMPANY					
TOOL NAME					
DB4 MOUNTING ACCESSORIES					
TEMPLATE					
DATE	STATUS	DRAWN BY	DATE	CHK'D BY	ENG
5/4/2016	RELEASED	KPL	5/4/2016	AMD	APPROVAL
SCALE	N/A	FILE	NAME	S01896L01	



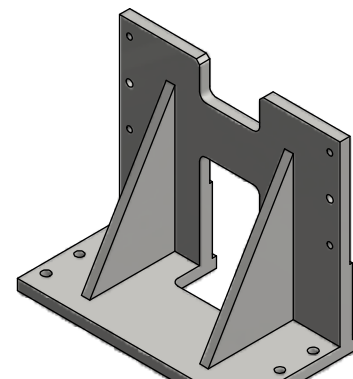
125



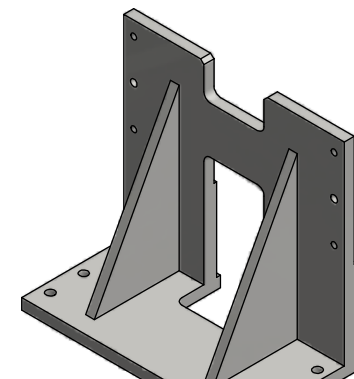
150



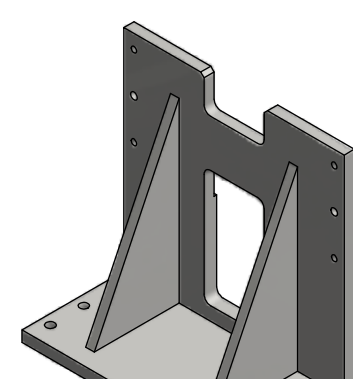
175



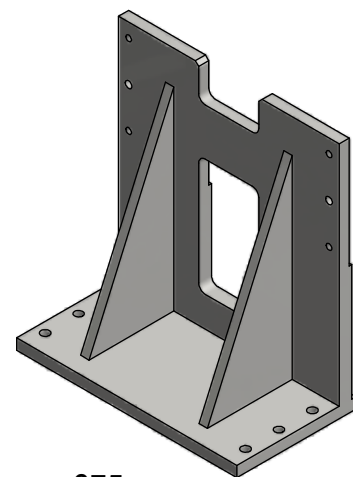
200



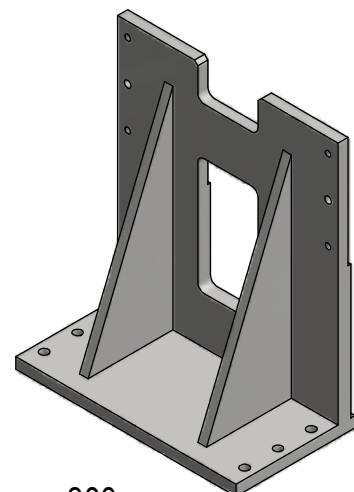
225



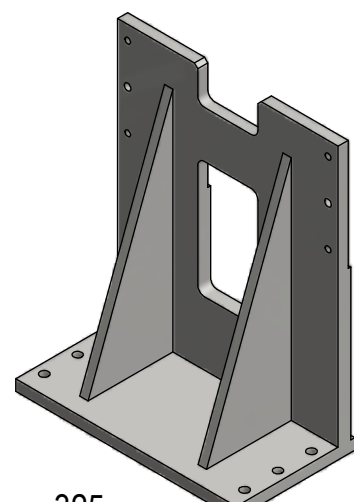
250



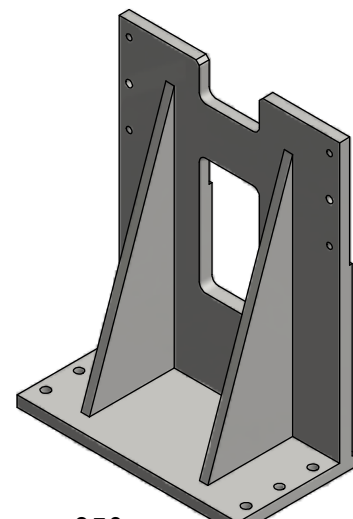
275



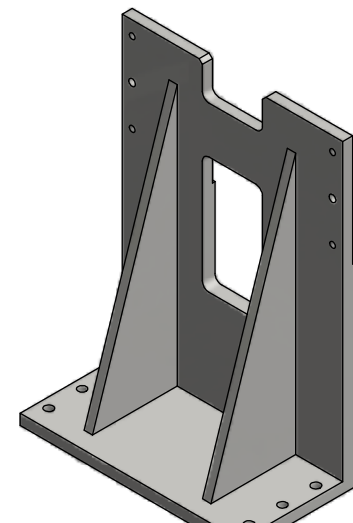
300



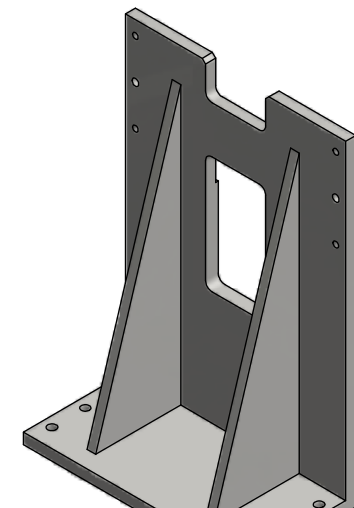
325



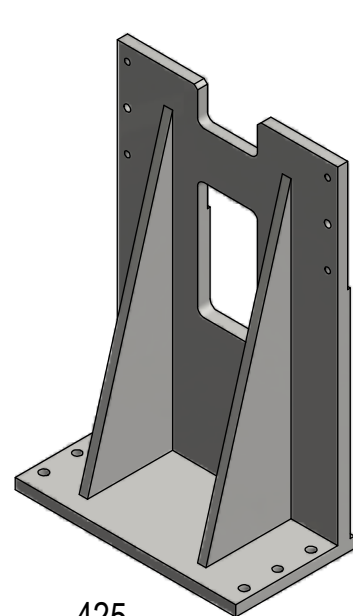
350



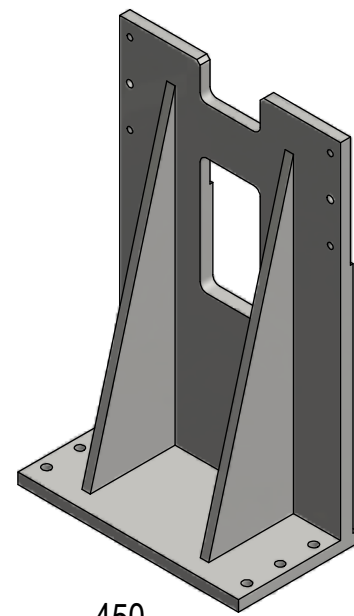
375



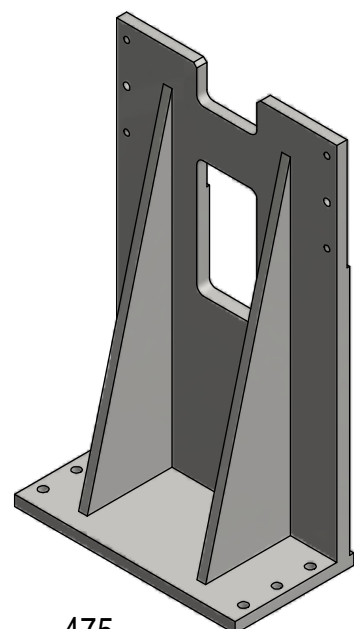
400



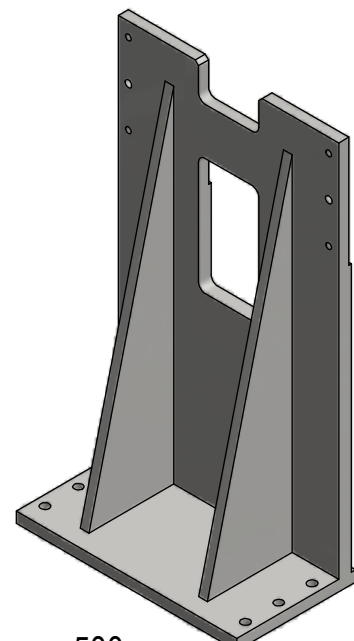
425



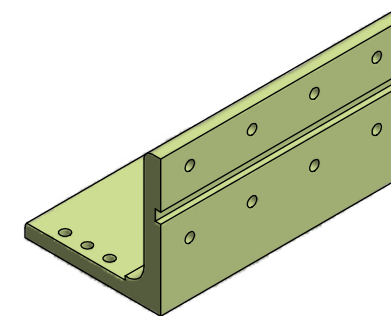
450



475



500



ANGLE BRACKET

UNITS ARE MILLIMETERS  
(i.e.X.XXmm [x.xxx"])  
DO NOT SCALE DRAWING

<b>WEKER</b> BEARING COMPANY					
TOOL NAME DB4 MOUNTING ACCESSORIES					
TEMPLATE					
DRAWN BY KPL	DATE 5/4/2016	CHK'D BY AMD	ENG APPROVAL		
DATE 5/4/2016	STATUS RELEASED	SCALE	FILE NAME	S01896L01	