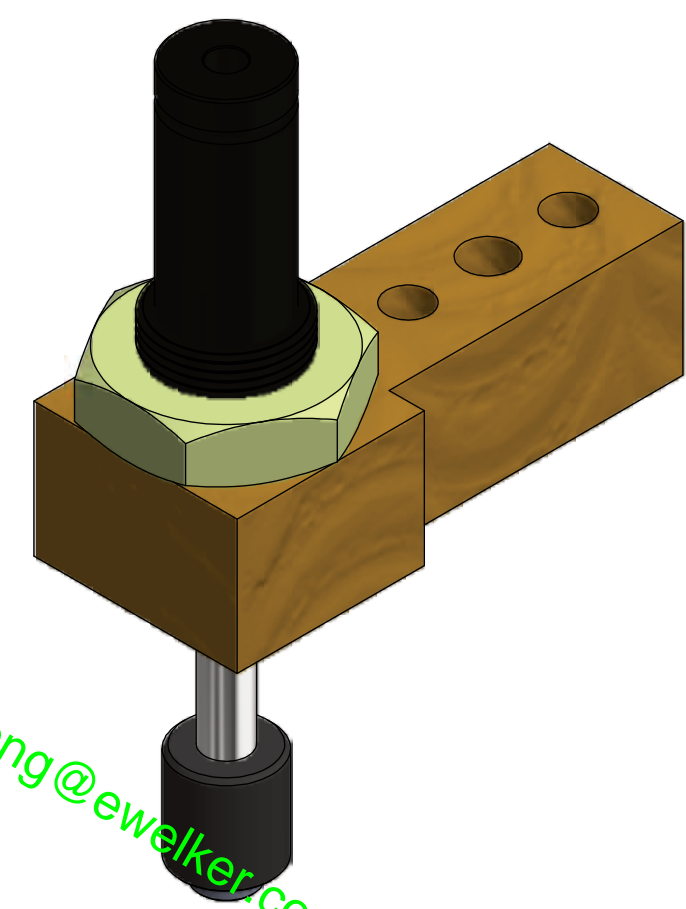
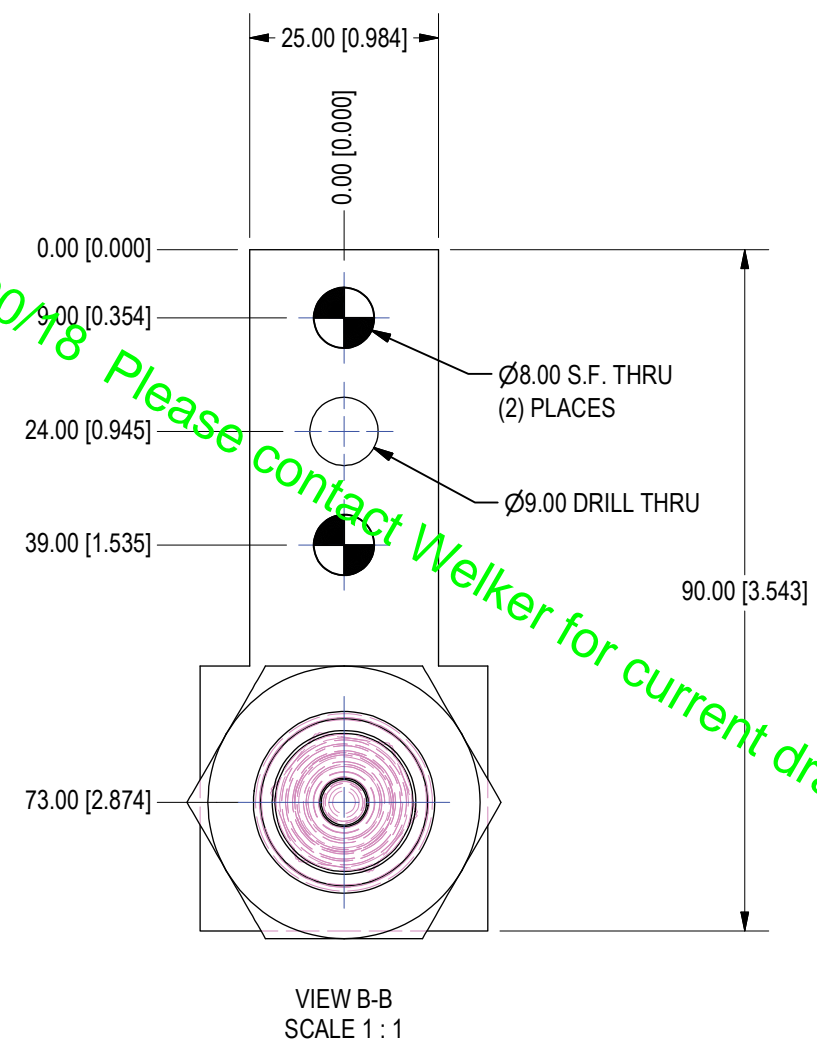
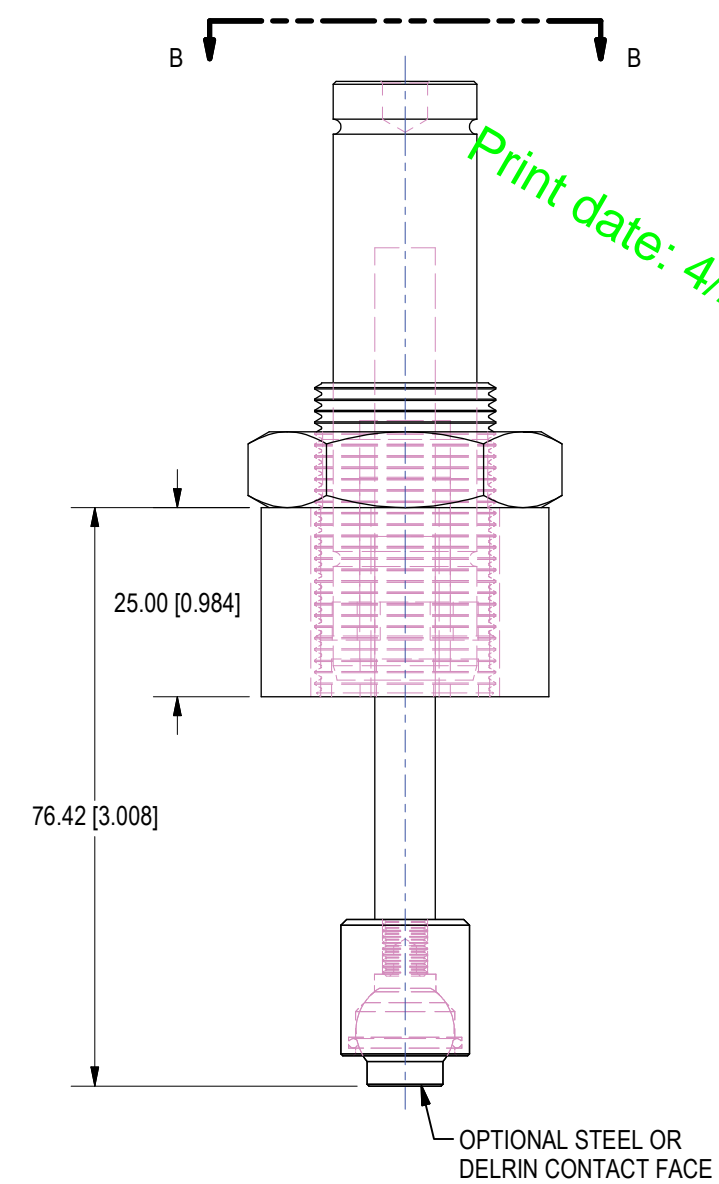


S02431 -

MOUNT
0 = NO MOUNT BLOCK
N = NARROW

CONTACT TIP
D = DELRIN TIP
S = STEEL TIP



NARROW MOUNT

Print date: 4/20/18 Please contact Welker for current drawing: eng@ewelker.com

APPROVAL

APPROVED:

AS NOTED:

BY: _____

DATE: _____

UNITS ARE MILLIMETERS
 (i.e.X.XXmm [x.xxx"])
 DO NOT SCALE DRAWING

DATE	STATUS	DRAWN BY	DATE	CHK'D BY	ENG
10/17/2016	Released	WCM	10/17/2016	AMD	APPROVAL
SCALE		FULL		FILE	S02431L01

WELKER
 BEARING COMPANY

TOOL NAME: COMPLIANT CLAMP FINGER

TEMPLATE