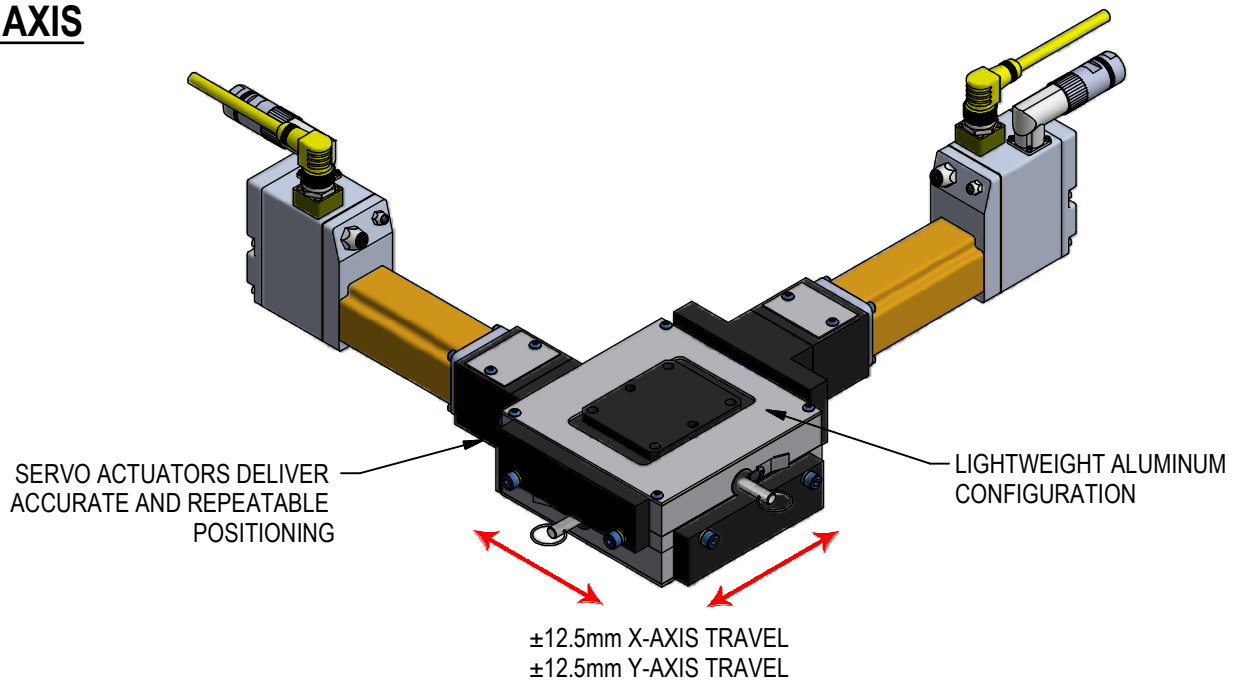


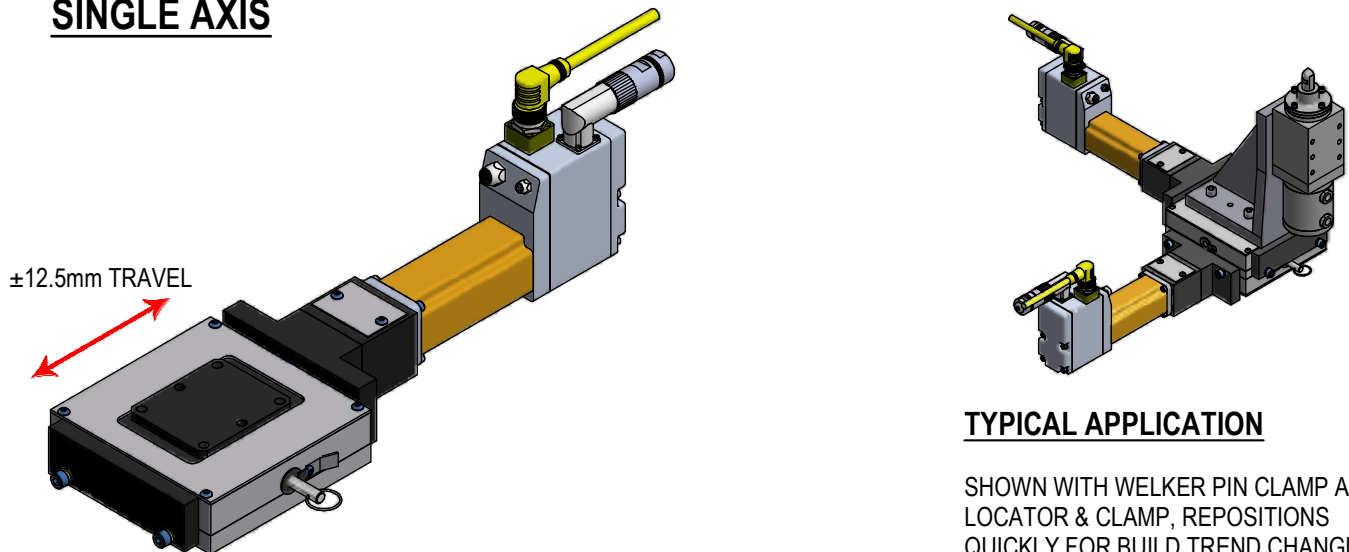
## SERVO SHIM POSITIONER

MAXIMIZES TOOLING FLEXIBILITY BY ALLOWING QUICK REPOSITIONING OF COMPONENTS FOR BUILD TREND CHANGE.

### DUAL AXIS



### SINGLE AXIS



RELEASED 9/19/16

# ORDERING INFORMATION

NOTE: ALL BOXES MUST BE FILLED IN FOR A COMPLETE PART NUMBER

S	0	1	4	7	4	-					
---	---	---	---	---	---	---	--	--	--	--	--

**Series**  
S01474

**Axis Option**  
SX Single Axis  
DR Double Axis - Right  
DL Double Axis - Left

**Connector Pos. Motor A**  
A1 Motor "A" Connector Position (See Sheet 5)

**Connector Pos. Motor B**  
X0 For Single Axis Only  
B1 Motor "B" Connector Position (See Sheet 5)

### MOTOR INFO:

EXLAR TRITEX II DC GEARMOTOR, 24/48 VDC  
5:1 GEAR REDUCTION  
ABSOLUTE FEEDBACK  
ETHERNET IP (SEALED M12 CONNECTOR)  
UP TO 16 PROGRAMMED POSITIONS  
ALL PROGRAMING TO BE DONE BY CUSTOMER

### MOTOR PIN CONFIGURATION:

PIN 1 = 24 VDC BUS POWER  
PIN 2 = 24 VDC LOGIC POWER PLUS  
PIN 3 = GROUND  
PIN 4 = 24 VDC COMMON POWER AND LOGIC

### SLIDE INFO:

MAX LOAD: 150lbf  
TRAVEL: 1 in/sec  
5/8-10 ACME GROUND THREAD  
SELF-LOCKING SCREW

### WEIGHT INFO:

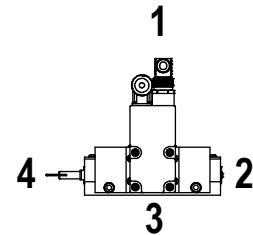
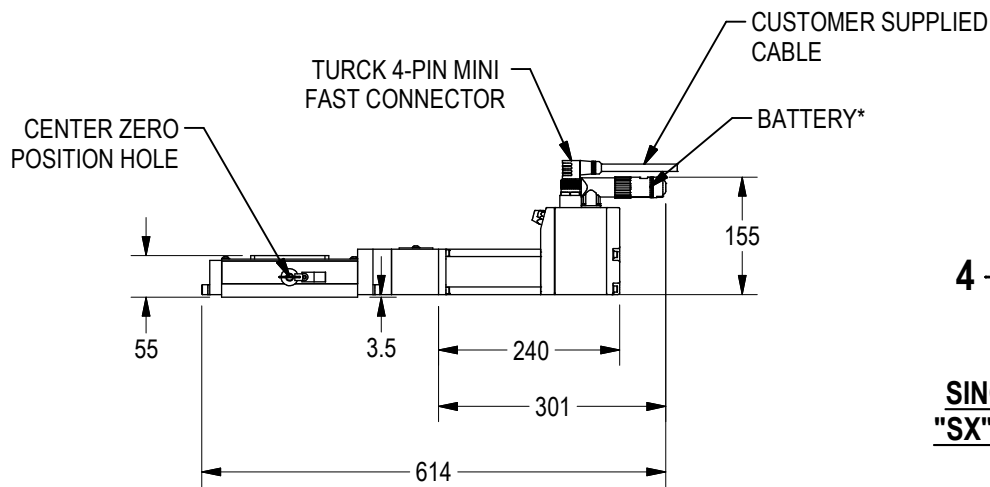
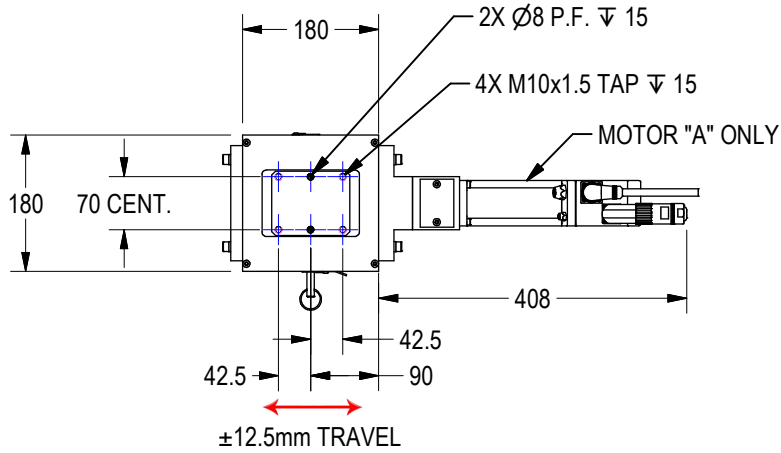
SINGLE: 21.1 lbs  
DOUBLE: 38.4 lbs

(DO NOT SCALE DRAWING)

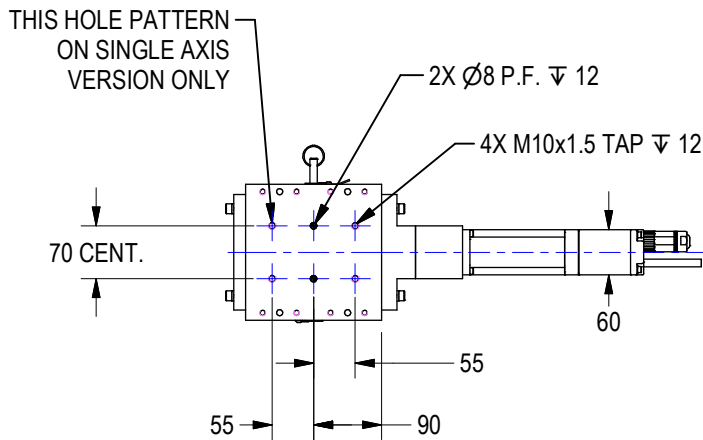


# GENERAL DIMENSIONS: SINGLE AXIS

ORDERING EXAMPLE (FOR MODEL SHOWN): S01475-SXA1X0



**SINGLE AXIS VERSION  
 "SX" MOTOR POSITIONS**



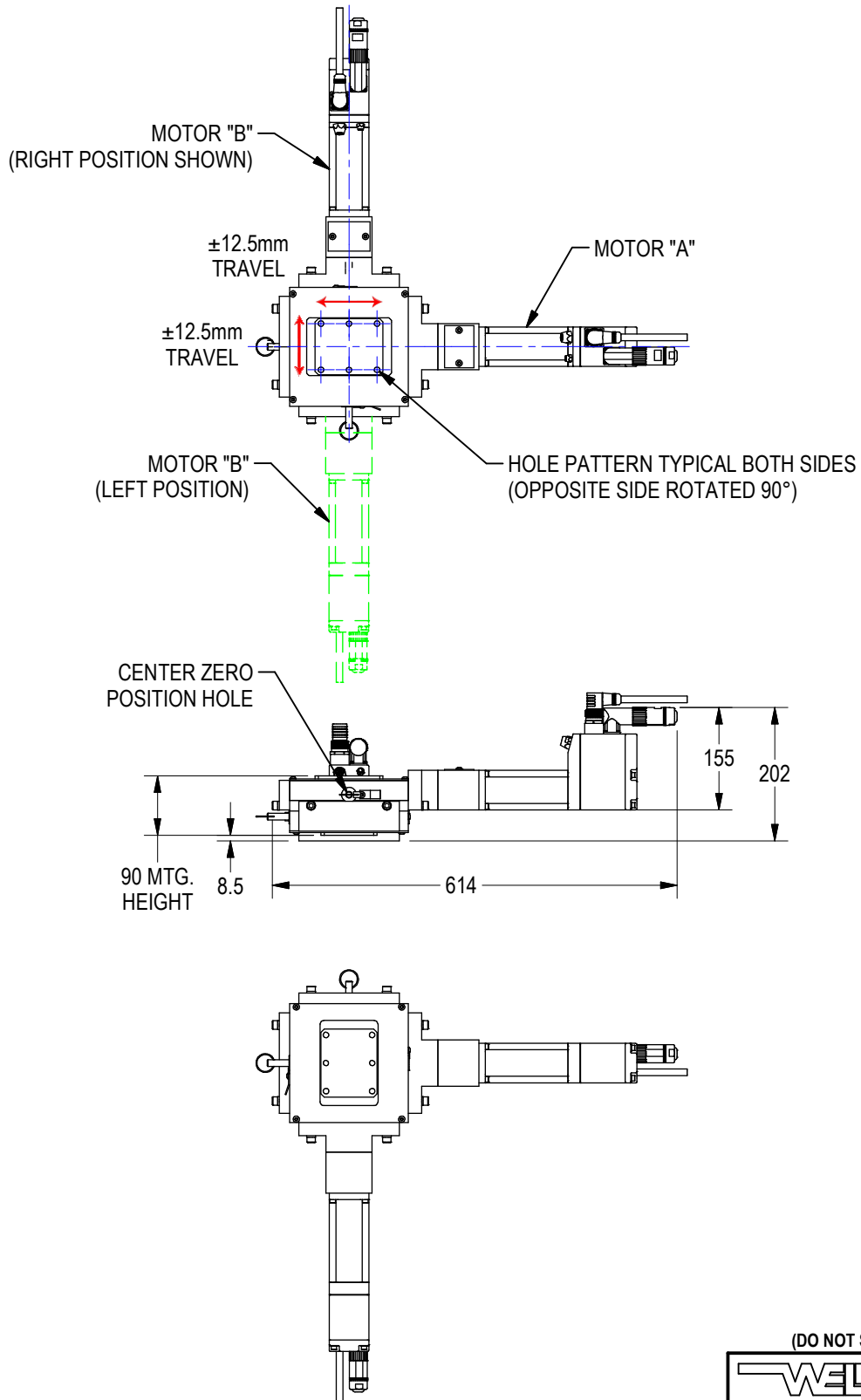
\*BATTERY CAN PROVIDE POWER TO ENCODER FOR ABOUT 1.5 YEARS OF POWER-OFF TIME

(DO NOT SCALE DRAWING)

# GENERAL DIMENSIONS: DOUBLE AXIS

ORDERING EXAMPLE (FOR MODEL SHOWN): S01474-DRA1B1

SEE SINGLE AXIS SHEET FOR DIMENSIONS NOT SHOWN



(DO NOT SCALE DRAWING)

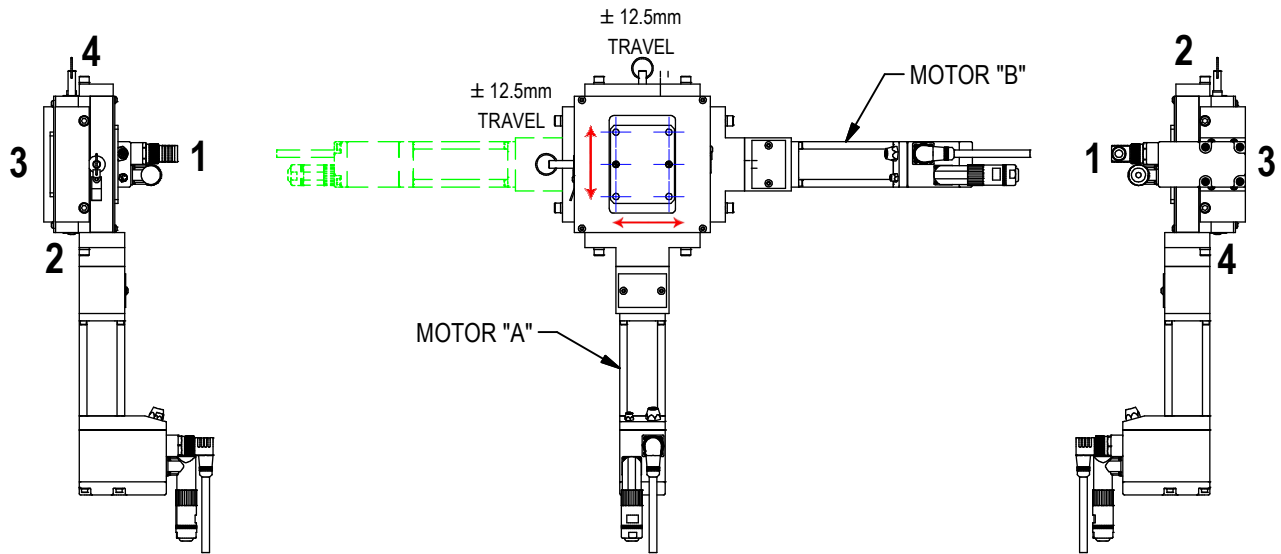
**WELKER**  
ENGINEERED PRODUCTS  
800-229-0890 [www.welkerproducts.com](http://www.welkerproducts.com)

# MOTOR POSITIONS FOR DOUBLE AXIS VERSION

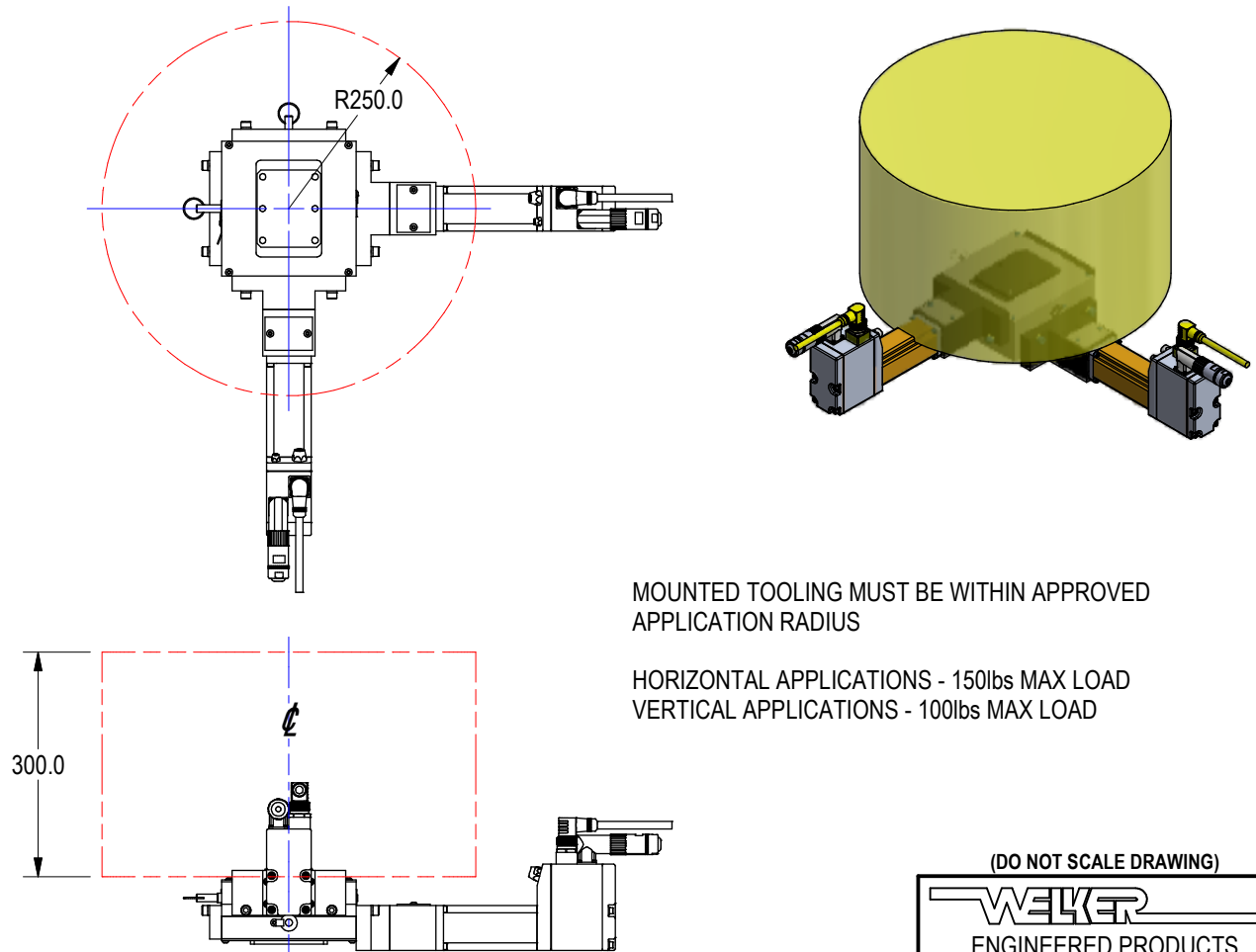
"DR" OPTION SHOWN

LEFT

RIGHT



## WORKING ENVELOPE



MOUNTED TOOLING MUST BE WITHIN APPROVED APPLICATION RADIUS

HORIZONTAL APPLICATIONS - 150lbs MAX LOAD  
VERTICAL APPLICATIONS - 100lbs MAX LOAD

(DO NOT SCALE DRAWING)

**WELKER**  
ENGINEERED PRODUCTS  
800-229-0890 [www.welkerproducts.com](http://www.welkerproducts.com)