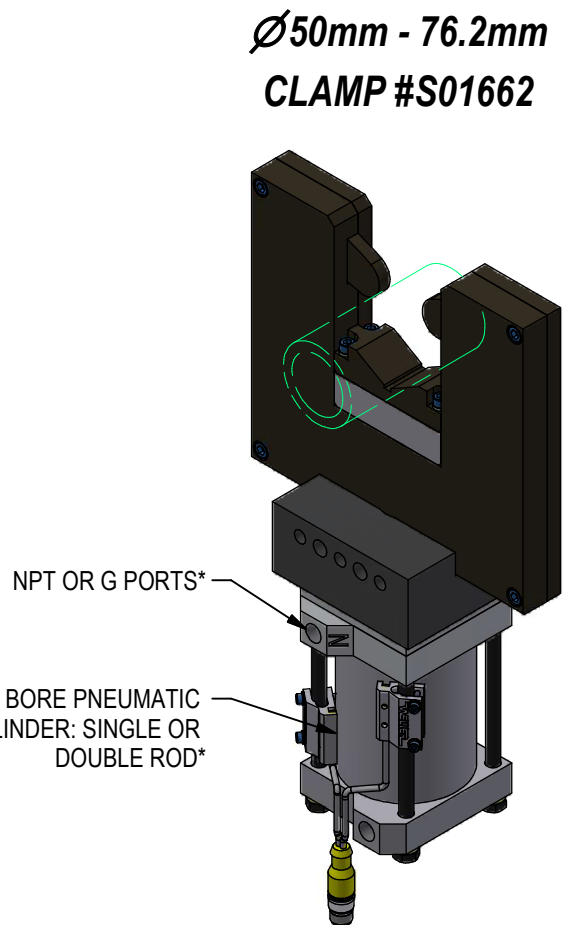
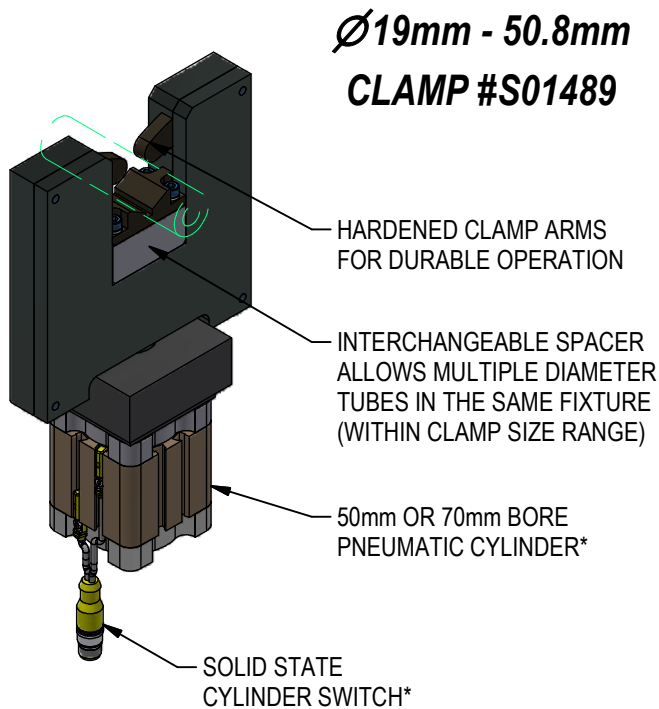


PIPE & TUBE CLAMPS

FOR WORKPIECE DIAMETERS 19mm THRU 76.2mm (3/4" THRU 3")

NARROW BACK-UP AND CLAMP FOR HOLDING TUBING, CENTERS TUBE SECURELY FROM BOTH SIDES.
ALLOWS MORE WELD ACCESS THAN TRADITIONAL MODIFIED CLAMPS.



APPLICATIONS:

EXHAUST SYSTEMS
SEATING
FURNITURE/CHAIR MANUFACTURING
TUBE MACHINING

S01489 ORDERING INFORMATION

S 0 1 4 8 9 - [] [] [] [] A 1 A [] [] [] []

Tube Diameter

XXXX Tube Diameter (i.e. 30.00mm Tube = 3000)
(19.00-50.80 Diameter Range)

Actuator

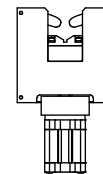
- 30** 50mm Bore Cylinder w/ NPT Ports
- 31** 50mm Bore Cylinder w/ G Ports
- 32** 70mm Bore Cylinder w/ NPT Ports
- 33** 70mm Bore Cylinder w/ G Ports

Switch

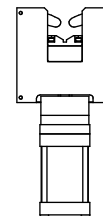
- 00** No Switch
- LX** L3,L5 - See Welker Cylinder Switch Chart

Port Position

- A** P1 Position
- B** P2 Position
- C** P3 Position
- D** P4 Position



50mm BORE CYLINDER



70mm BORE CYLINDER

S01662 ORDERING INFORMATION

S 0 1 6 6 2 - [] [] [] [] A 1 A [] [] [] []

Tube Diameter

XXXX Tube Diameter (i.e. 60.00mm Tube = 6000)
(50.00-76.20 Diameter Range)

Actuator

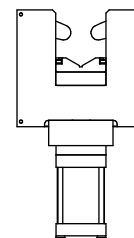
- 30** 70mm Bore Cylinder Single Rod w/ NPT Ports
- 31** 70mm Bore Cylinder Single Rod w/ G Ports
- 32** 70mm Bore Cylinder Double Rod w/ NPT Ports
- 33** 70mm Bore Cylinder Double Rod w/ G Ports

Switch

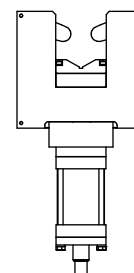
- 00** No Switch
- LX** L3,L5 - See Welker Cylinder Switch Chart

Port Position

- A** P1 Position
- B** P2 Position
- C** P3 Position
- D** P4 Position



SINGLE ROD CYLINDER



DOUBLE ROD CYLINDER

Switch Option	Manufacturer's Part Number	Mfr.	Description
L3	SWITCH L3: Weld field immune, comparable to World Switches*	Welker	M12 X 1 Quick Disconnect 4-Wire, 4-Pin, DC (PNP)
L5	MK5113: Single sensor, single connector switch (2 switches installed with L5 option)	ifm Efector	3-Wire, 4-Pin, DC (NPN)

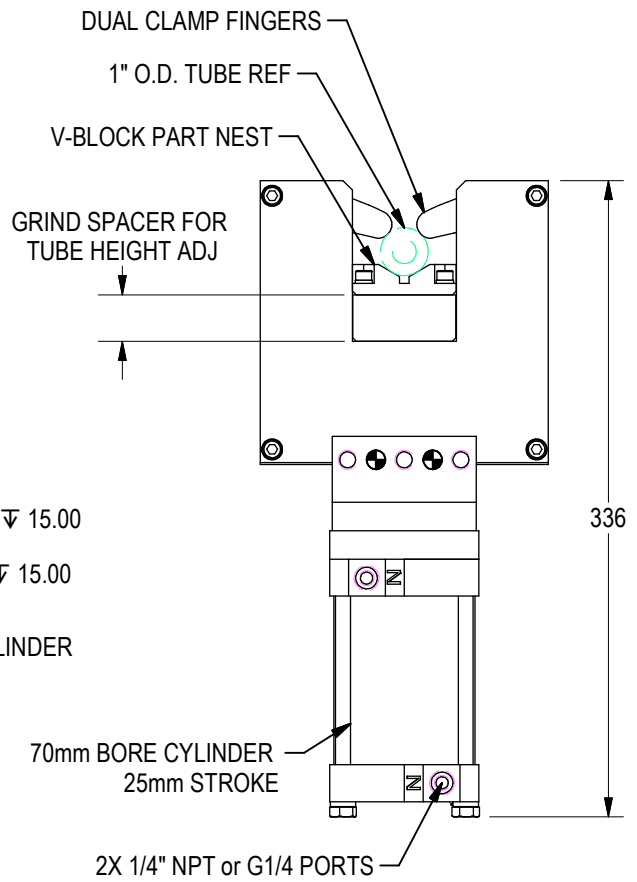
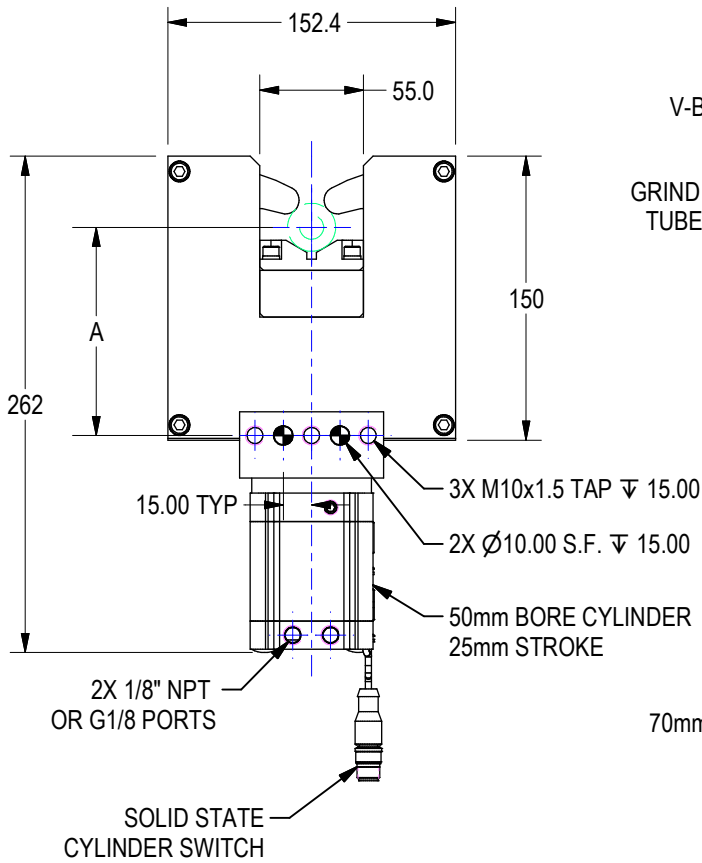
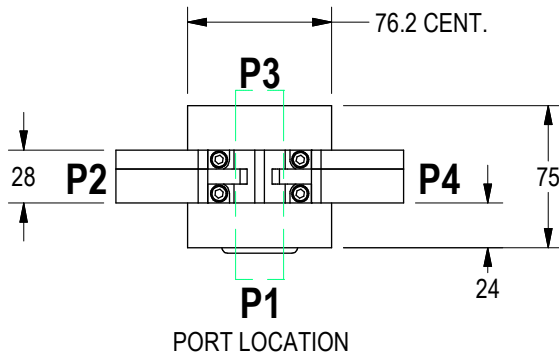
Standard Switch Option - All other options affect price & delivery

(DO NOT SCALE DRAWING)



S01489 GENERAL DIMENSIONS

FOR WORKPIECE DIAMETERS 19mm - 50.8mm (3/4" - 2")



TUBE DIA.	DIM "A"
1" (25.4mm)	110.0mm
1-1/2" (38.1mm)	105.0mm
2" (50.8mm)	100.0mm



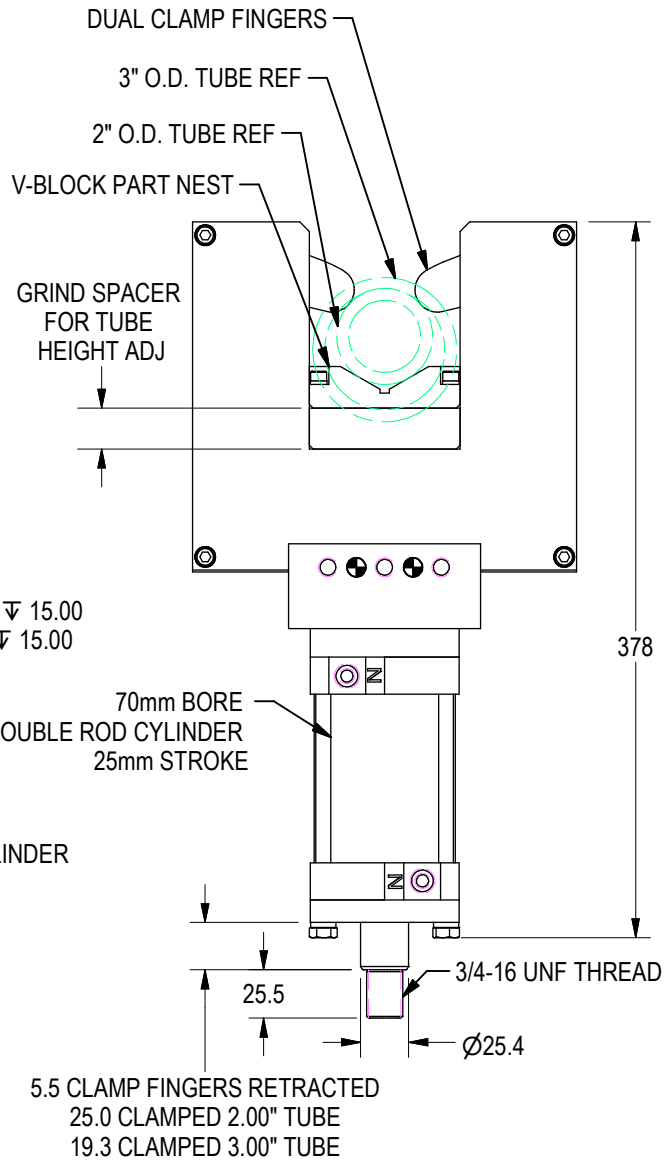
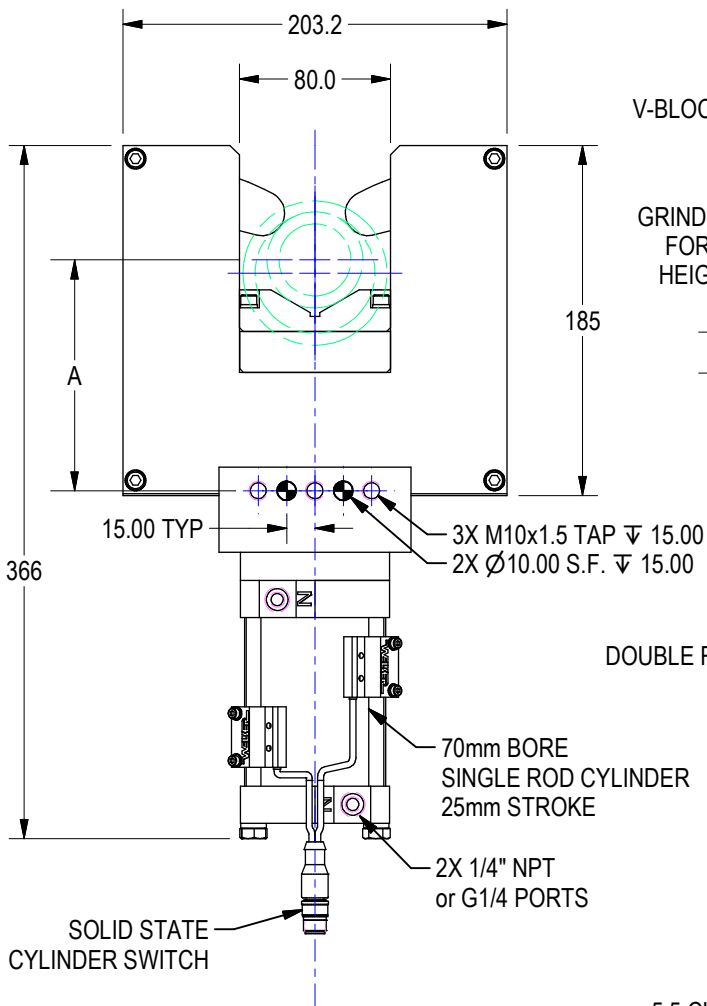
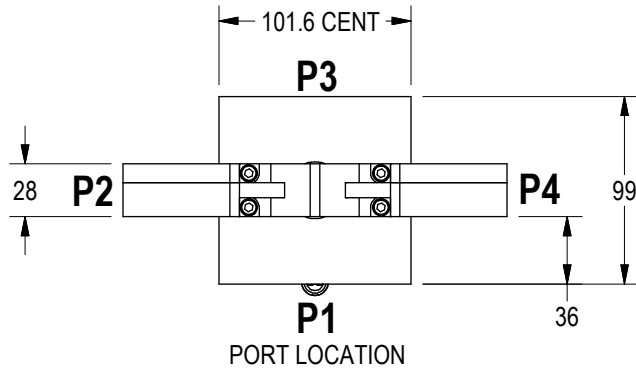
UNIT WEIGHT:
5.9kg (50mm BORE)
7.2kg (70mm BORE)

(DO NOT SCALE DRAWING)

WELKER
ENGINEERED PRODUCTS
800-229-0890 www.welkerproducts.com

S01662 GENERAL DIMENSIONS

FOR WORKPIECE DIAMETERS 50mm - 76.2mm (2" - 3")



TUBE DIA.	DIM "A"
2" (50.8mm)	122.0mm
3" (76.2mm)	115.0mm



UNIT WEIGHT:
11kg (SINGLE ROD)
11.4kg (DOUBLE ROD)

(DO NOT SCALE DRAWING)

WELKER
ENGINEERED PRODUCTS
800-229-0890 www.welkerproducts.com