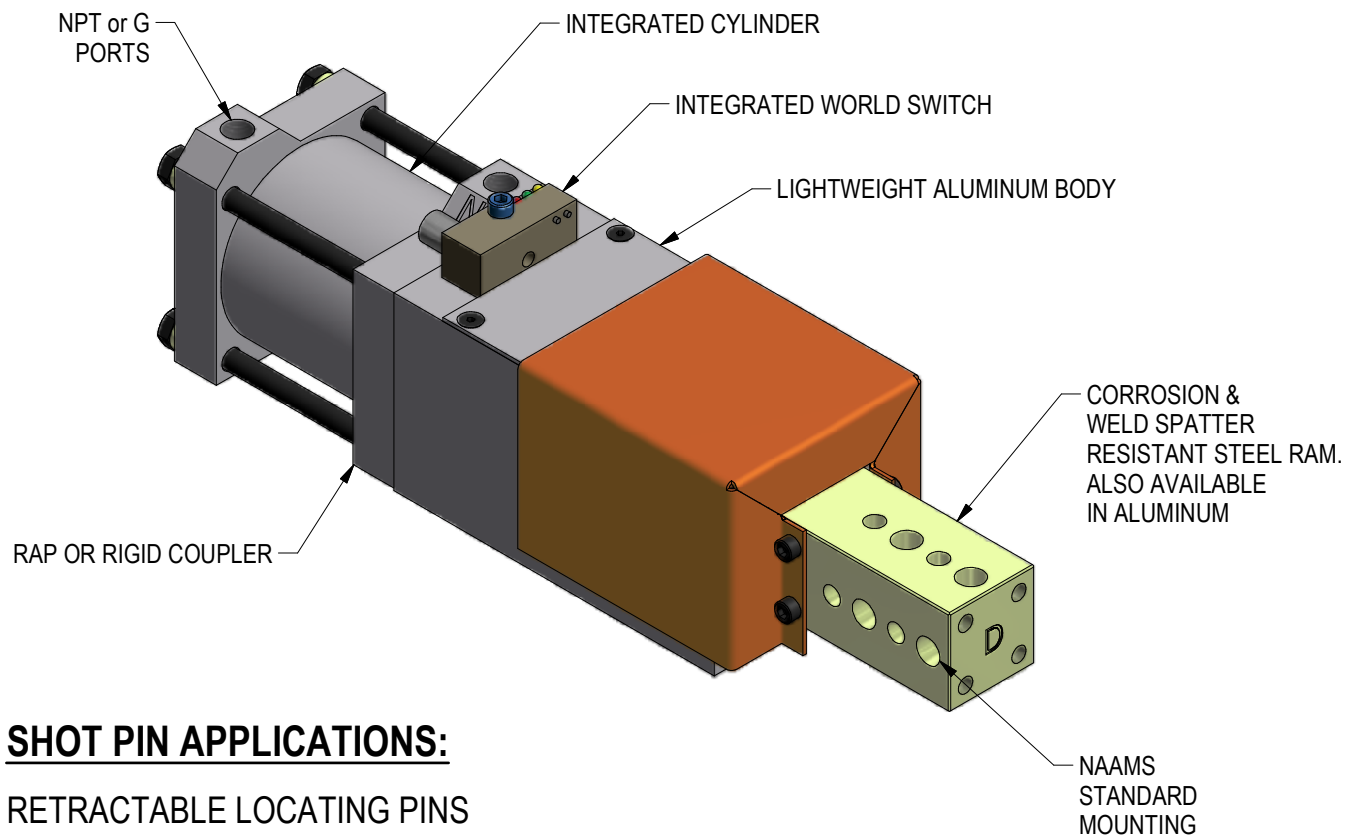


## UB4 SERIES GOLD LINE SHOT PIN



### SHOT PIN APPLICATIONS:

RETRACTABLE LOCATING PINS  
PART STOPS  
PROBE SLIDES  
WEDGE LOCKS  
STRAIGHT CLAMP  
LARGE PART METERS

**NO LUBRICATION  
REQUIRED**

RELEASED 5/6/16

# ORDERING INFORMATION

NOTE: ALL BOXES MUST BE FILLED IN FOR A COMPLETE PART NUMBER

U	B	4															0	0	0
---	---	---	--	--	--	--	--	--	--	--	--	--	--	--	--	--	---	---	---

**Series** UB4

**Material**  
**N** Aluminum body, steel ram  
**A** Aluminum body & ram  
 (Not available w Rap Coupler)

**Stroke**  
**025** 025, 050, & 075mm Stroke

**Coupler**  
**A** Rap (shortens nominal cylinder stroke by 2mm)  
 Rap only available with Actuator Options 01 or 02  
**B** Rigid

**Actuator**  
**01** Pneumatic - Single Rod - NPT  
**02** Pneumatic - Single Rod - G Port  
**03** Pneumatic - Double Rod - NPT Port\*  
**04** Pneumatic - Double Rod - G Port\*  
 \* Requires Extend Stop E, F, G, P, S or T

**Options**  
**0** None  
**E** Adjustable Extend Stop\*  
**F** Adjustable Extend Stop - 10mm Extra Stop\*  
**G** Fixed Extend Stop\*  
**M** Loose body for manual operation - **Requires Actuator 01 or 02**  
**P** Loose body for manual operation with Palm Button\*  
**S** Loose body for manual operation with Extend Stop ("E")\*  
**T** Loose body for manual operation with Fixed Extend Stop ("G")\*  
 \*Requires Actuator option 03 or 04  
**NOTE: Options E, F, G, S & T will shorten stroke - see Sht 3**

**Ram Style**  
**D** 4 Hole - Large  
**L** 4 Hole - Medium

**Switch (See chart below)** \_\_\_\_\_

**Shroud**  
**0** No Shroud  
**1** Shroud

**Port Position**  
**A** P1 Port Position  
**B** P2 Port Position  
**C** P3 Port Position  
**D** P4 Port Position

**Manual Operation Note**  
**Options M, P, S, T:**  
 Loose body units are not held to industry standard tolerances

**Standard Options - All other options may affect price and delivery.**

### WORLD SWITCH OPTIONS

Order Number SO1 EXTEND / SO1 RETRACT	Part Number	Manufacturer	Description
00	NONE		
AE / AR	Ni2-Q6.5-AP6-0.1-FS 4.4X3/S304	Turck	3-Wire, 4-Pin, DC M12 X 1 (PNP) Quick Disconnect
BE / BR	Ni2-Q6.5-ADZ32-0.1-FSB 5.4X4/S304	Turck	4-Wire, 5-Pin, AC/DC 1/2-20 (N.O.) Quick Disconnect
CE / CR	Ni2-Q6.5-AN6-0.1-FS 4.4X3/S304	Turck	3-Wire, 4-Pin, DC M12 X 1 (NPN) Quick Disconnect
DE / DR	NBN2-F581-100S6-EB-V1	Pepperl & Fuchs	3-Wire, 4-Pin, DC M12 X 1 (FNP) Quick Disconnect
EE / ER	BES-Z02KR2-PSC20F-P100-S04-V	Balluff	3-Wire, 4-Pin, DC M12 X 1 (PNP) Quick Disconnect
JE / JR	IN5374	Erector	4-Wire, 4-Pin, DC M12 X 1 (FNP) Quick Disconnect

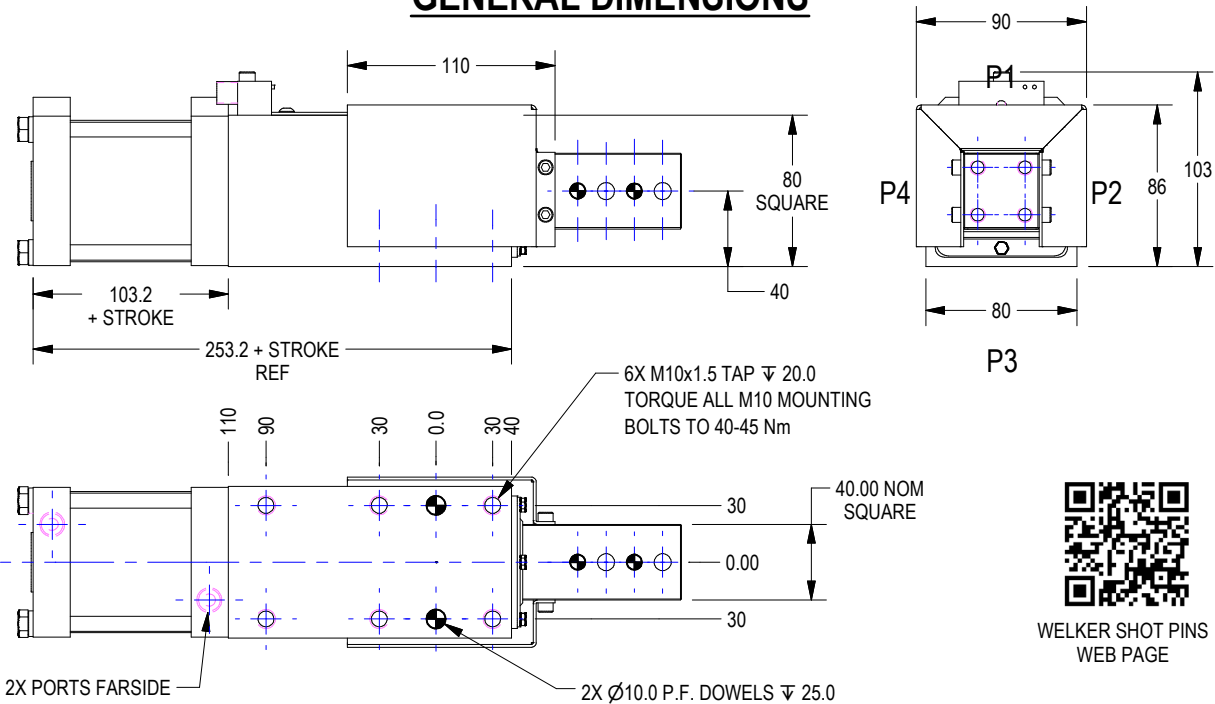
**CONTACT WELKER FOR OTHER SWITCHING OPTIONS**

(DO NOT SCALE DRAWING)

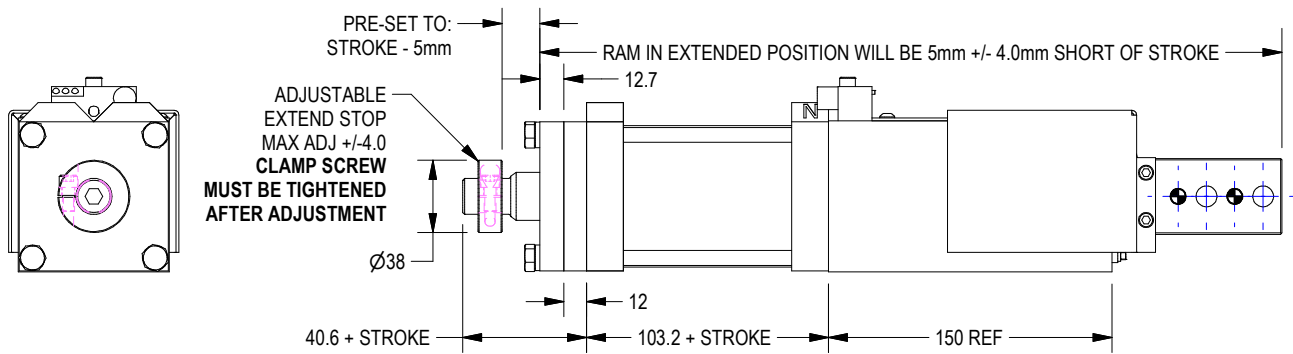
ENGINEERED PRODUCTS

(800) 229-0890 www.welkerproducts.com

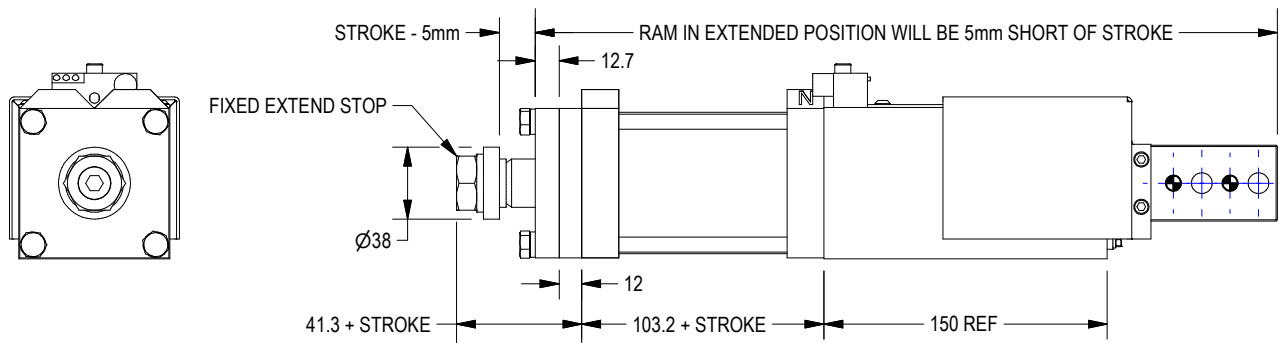
# GENERAL DIMENSIONS



## DOUBLE ROD CYLINDER WITH EXTEND STOP OPTION "E"



## DOUBLE ROD CYLINDER WITH EXTEND STOP OPTION "G"



NOMINAL RAM	PNEUMATIC BORE	PORTS	PUSH Sq.In.	PULL Sq.In.
40	70	1/4" NPT OR G1/4	5.97	3.49

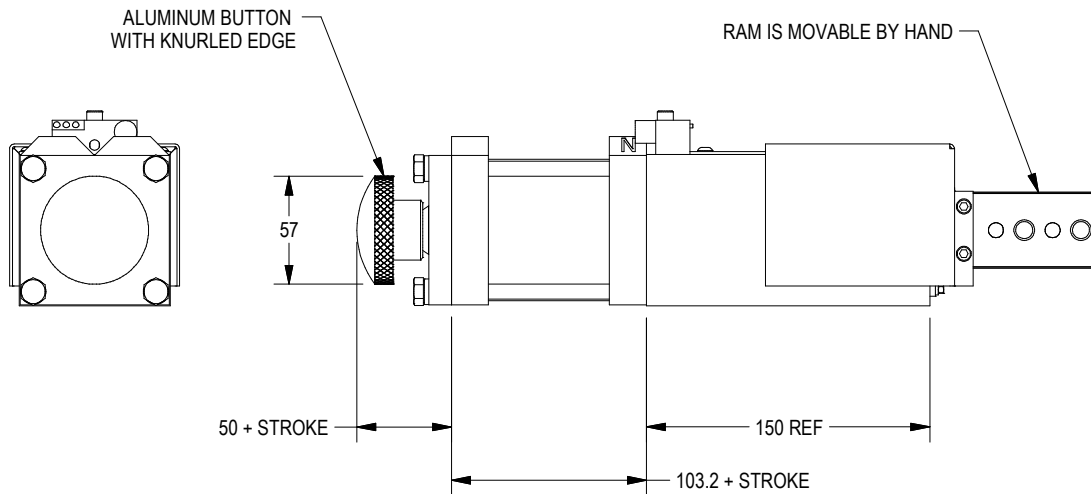
**RECOMMENDED OPERATING PRESSURE:**  
60-80 PSI, FLOW CONTROLS NOT REQUIRED

UNIT WEIGHTS (WEIGHTS SHOWN VARY WITH OPTIONS)				
ACTUATOR	RAM	25mm STROKE	50mm STROKE	75mm STROKE
01/02	STEEL	18 lbs	18.5 lbs	19.1 lbs
01/02	ALUMINUM	13 lbs	13.5 lbs	14 lbs
03/04	STEEL	19.4 lbs	20 lbs	25.2 lbs
03/04	ALUMINUM	14.5 lbs	15 lbs	21 lbs

(DO NOT SCALE DRAWING)

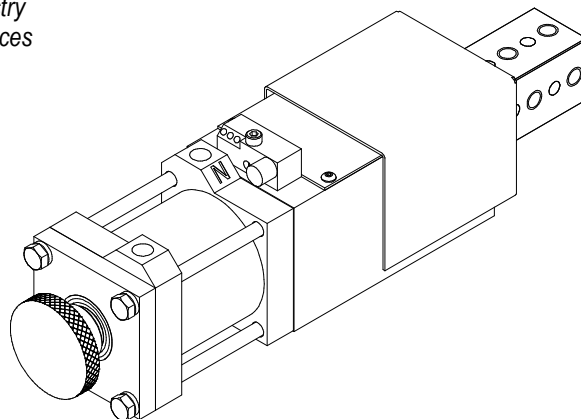
ENGINEERED PRODUCTS  
(800) 229-0890 www.welkerproducts.com

# OPTIONS



## DOUBLE ROD CYLINDER WITH PALM BUTTON OPTION "P" LOOSE BODY FOR MANUAL OPERATION

**Manual Operation Note:**  
Loose body units are  
not held to industry  
standard tolerances



(DO NOT SCALE DRAWING)

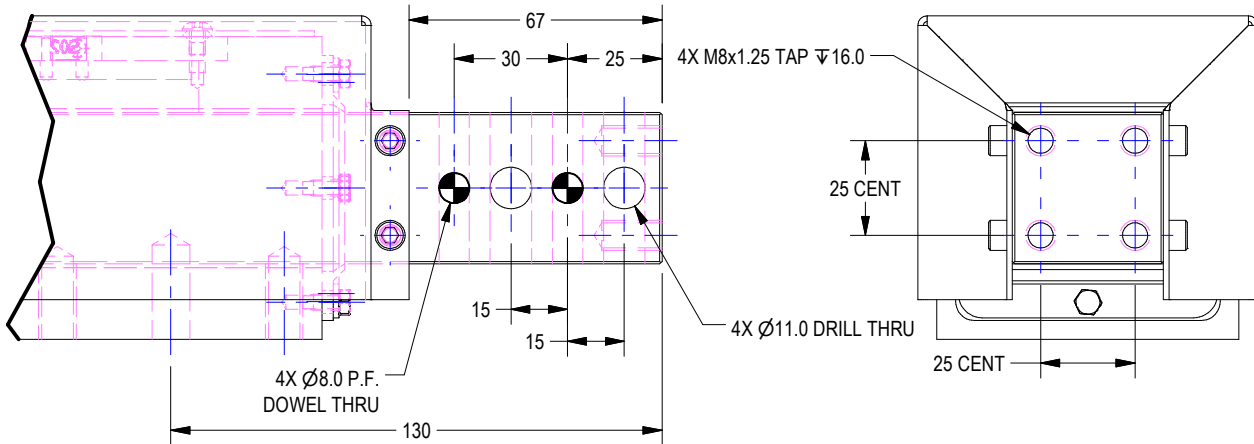
**WELKER**

ENGINEERED PRODUCTS

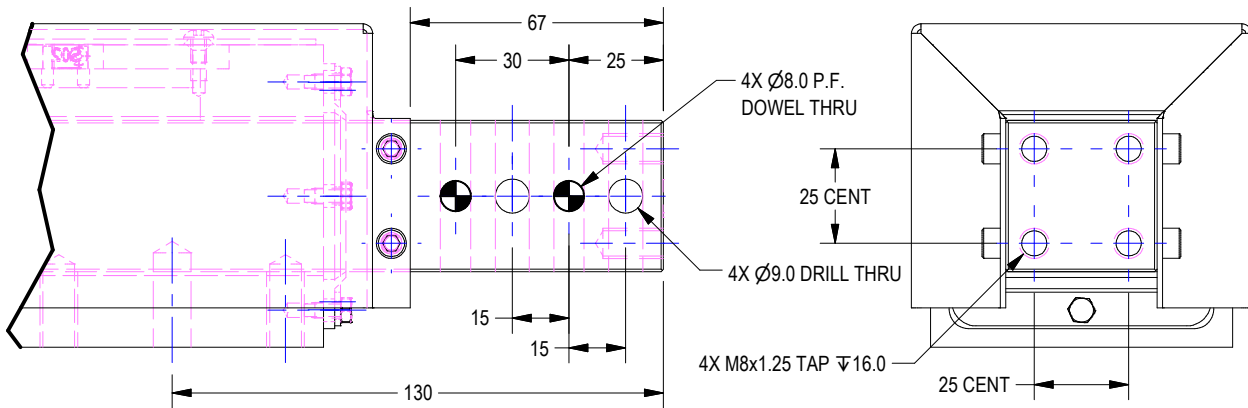
(800) 229-0890 [www.welkerproducts.com](http://www.welkerproducts.com)

# STANDARD RAM OPTIONS

(SEE SUPPLEMENTAL RAM SHEET FOR NON-STANDARD RAM OPTIONS)



RAM STYLE 'D'



RAM STYLE 'L'

(DO NOT SCALE DRAWING)



ENGINEERED PRODUCTS

(800) 229-0890 [www.welkerproducts.com](http://www.welkerproducts.com)

## Welker UB4 Series Shot Pin Technical Information

**Body Mounting:** Square ram packages are high precision full contact plane bearing units and therefore must be mounted to a flat surface. **Mounting surfaces must be flat within .002" (0.05mm).**

**Ram Mounting:** Square ram shot pin units use a standard NAAMS L-Block pattern with 15mm spacing. Spacing allows mounting of 3 and 4 hole pin retainers and L-blocks to the ram. Through holes can be tapped and fitted with standard thread inserts.

**Shrouds:** Safety orange steel shrouds are available for additional protection. Shrouds prevent undesirable buildup of contamination from welding and machining applications. Welker specifically recommends shroud usage in MIG, TIG and arc welding applications. Shrouds should only be removed if clearance problems exist and conditions permit. Consult Welker.

**Wipers:** The wiper is the only maintenance item on Welker pin units. It is a custom molded moly impregnated urethane wiper. Welker recommends changing the wiper yearly. Specific applications may require more or less frequent wiper service.

**Stroke:** The stroke accuracy of shot pins is limited to that of the cylinder. Normal cylinder stroke accuracy is  $\pm .015"$  (0.38mm). For adjustable and repeatable "end of stroke" conditions, see extend stop options. Rap couplings cause the unit to be less than the nominal stroke of the cylinder. The 40mm ram units have a 2mm rap. The rap allows the cylinder to accelerate without load, acting like a slide hammer. The impact of the coupler helps free tooling from a bound condition, similar to a dowel puller. Most applications using a pneumatic shot pin should have rap couplings while most hydraulic shot pin applications should use a rigid coupler. Rigid couplers must be used on all extend and retract stop units.

Welker cylinders do not require lubrication.

**Switch:** UB4 is available only with World Switch.

**Repeatability:** Shot pin units utilize a full contact bearing surface for high repeatability. Repeatability within  $\pm .002"$  (0.05mm) part to part is achievable.

**Wear:** Defined as variance in position under load over time. Shot pin tests indicate maximum wear of .002" wear at 3 million cycles.

**Loading and Deflection:** Maximum deflection is  $\pm .005"$  and is measured at the **end of the ram** up to the specified strokes and up to the loads and distances as shown below. Longer extensions can be used at lower tolerances and loads. Pins mounted closer to the body exhibit less deflection. For applications with longer strokes and higher loads, consult Welker.

