

100
101
102
103
104
105
106
107
108
109
110
111
112
113
114
115
116
117
118
119
120
121
122

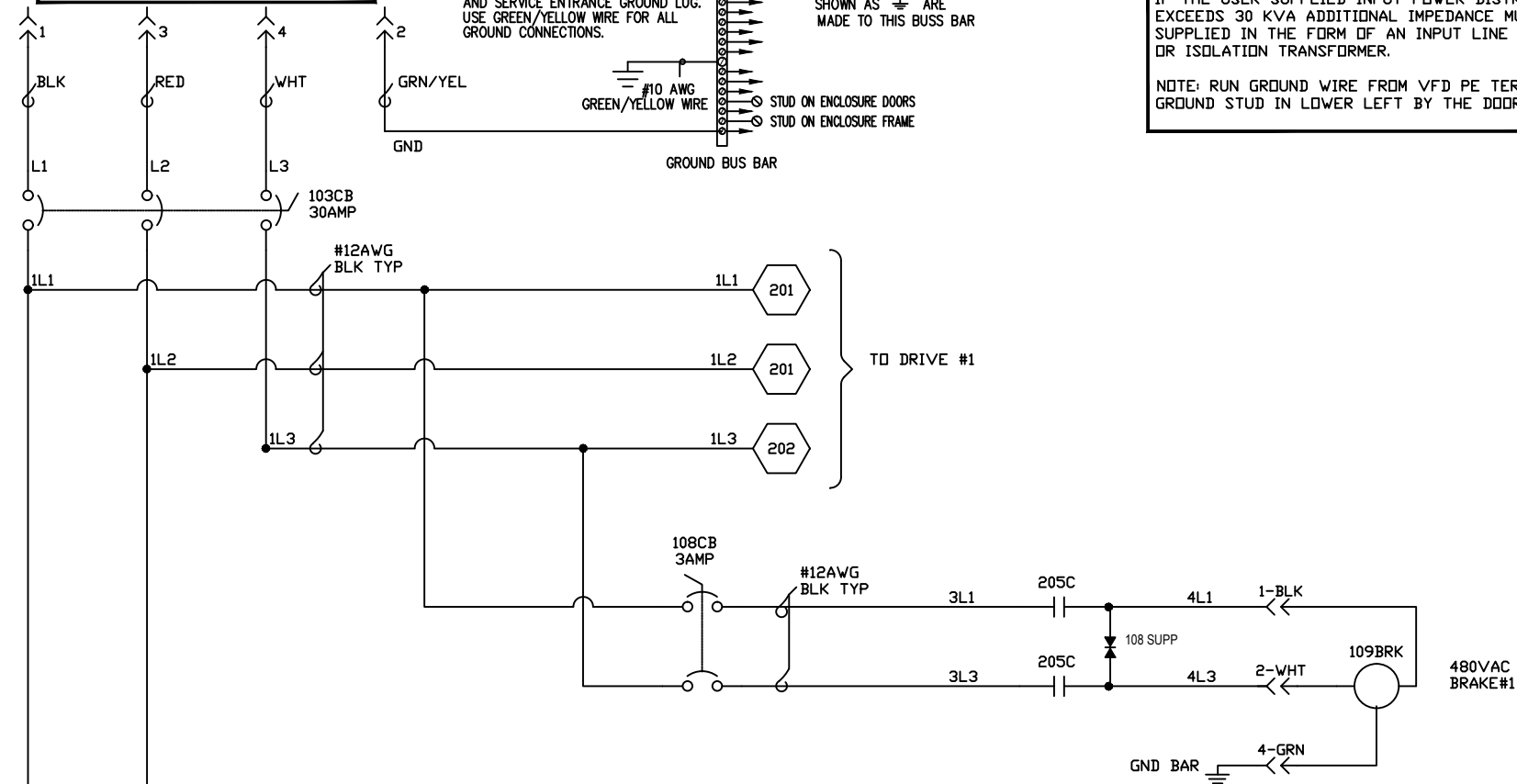
FROM CUSTOMER 480VAC, 3-PHASE, 60HZ WYE CONNECTED POWER DISTRIBUTION WITH SOLIDLY GROUNDED NEUTRAL.

NOTE: REMOVE PAINT FROM SUBPLATE AND SERVICE ENTRANCE GROUND LUG. USE GREEN/YELLOW WIRE FOR ALL GROUND CONNECTIONS.

NOTE: ALL CONNECTIONS SHOWN SHOWN AS \oplus ARE MADE TO THIS BUSS BAR

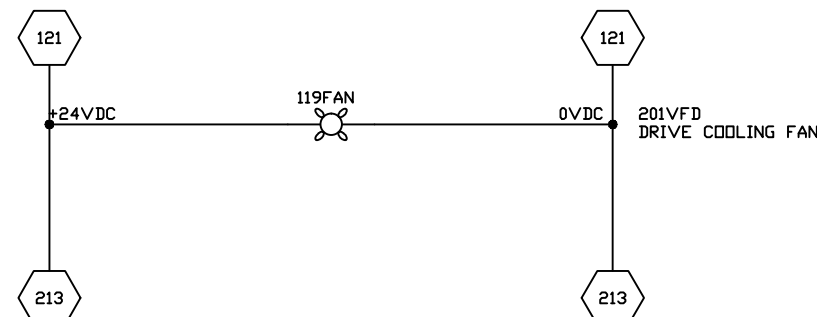
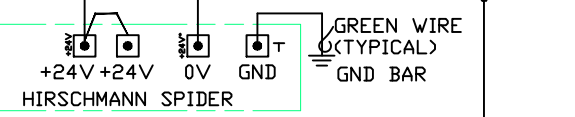
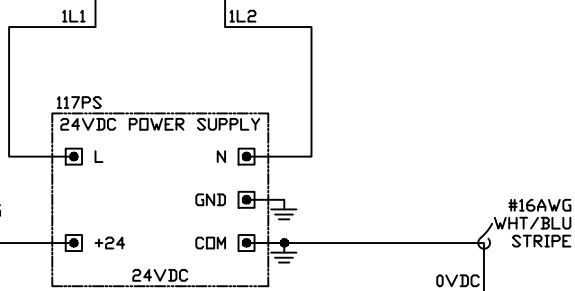
NOTE: IF THE USER SUPPLIED INPUT POWER DISTRIBUTION EXCEEDS 30 KVA ADDITIONAL IMPEDANCE MUST BE SUPPLIED IN THE FORM OF AN INPUT LINE REACTOR OR ISOLATION TRANSFORMER.

NOTE: RUN GROUND WIRE FROM VFD PE TERMINAL TO CABINET GROUND STUD IN LOWER LEFT BY THE DOOR HINGE.



TO DRIVE #1

480VAC BRAKE#1



UNITS ARE MILLIMETERS
(i.e.X.XXmm [x.xxx"])
DO NOT SCALE DRAWING

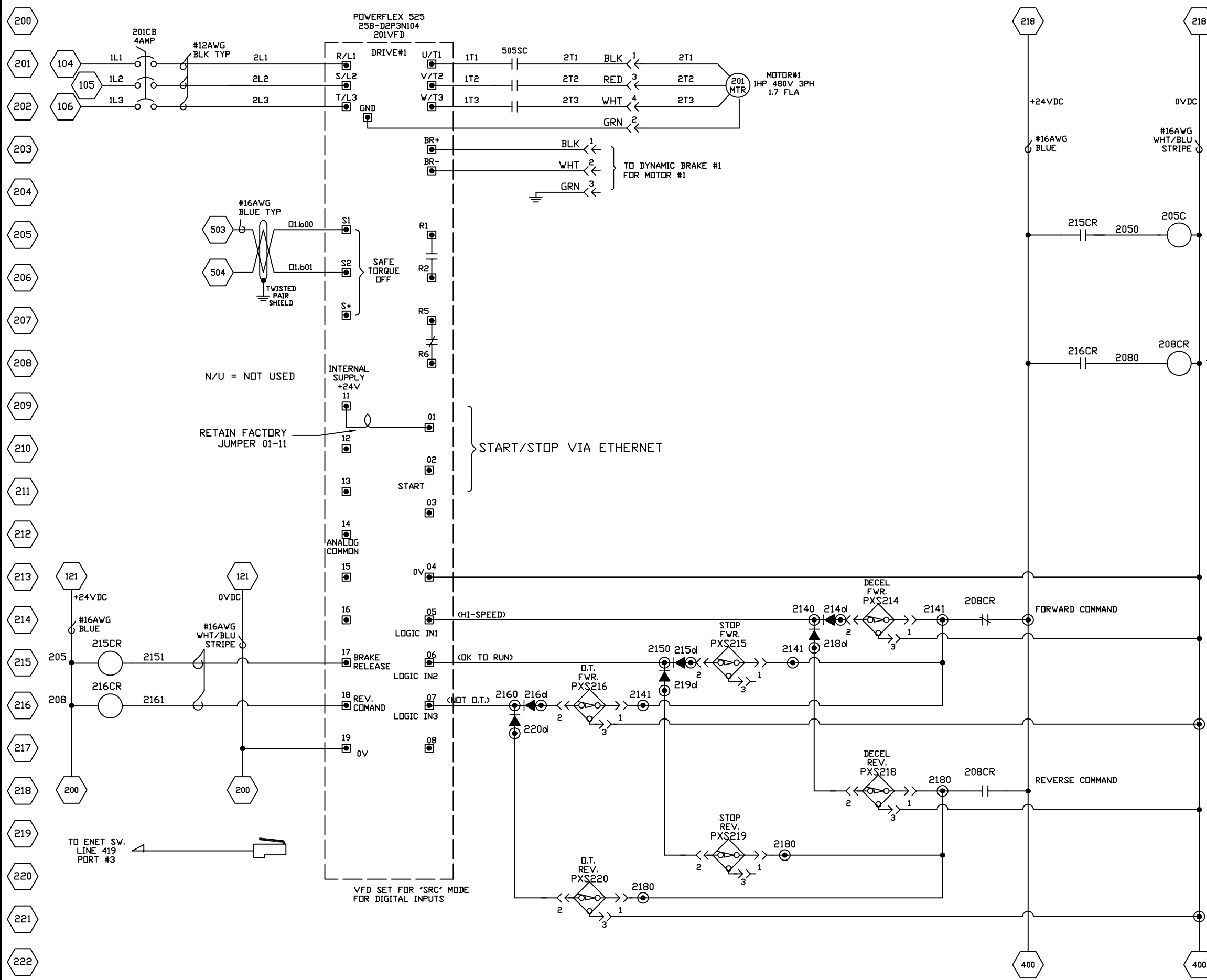
EXCEPT AS NOTED
DECIMAL TOL. SHALL BE:
0 PLACE (FRACTIONS) $\pm .400$ [1/64"]
1 PLACE $\pm .200$ [0.010"]
2 PLACE $\pm .100$ [0.005"]
3 PLACE $\pm .010$ [0.0005"]
ALL DOWEL LOC ± 0.010 [0.0005"]
BETWEEN HOLES

EXCEPT AS NOTED, MAXIMUM
ALLOWABLE ROUGHNESS SHALL BE:
1 PLACE FINISH 6 MICRONS (250 MICROINCHES)
2 PLACE FINISH 3 MICRONS (125 MICROINCHES)
3 PLACE FINISH 1.6 MICRONS (63 MICROINCHES)

REV	REV BY	REV DATE	CHK BY	DESCRIPTION
B		8/13/2015		FIXED LINE REF #S TO SHEET 2
C		9/28/2015		ADDED 108SUPP TO THIS SHEET

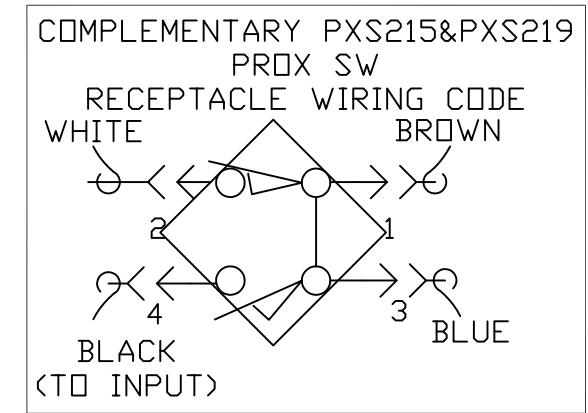
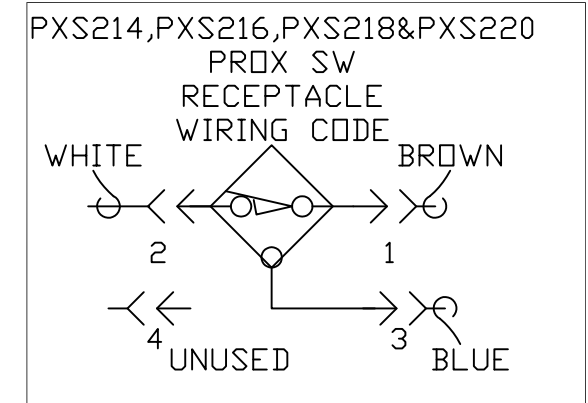


TOOL NAME POWERFLEX 525 PANEL BOX SINGLE - 1HP			
DRAWN BY cmwilliams	DATE 06-24-15	LAST EDIT BY cmwilliams	ENG APPROVAL
SHEET 1	OF 6	FILE NAME	INS-SO2102 1HP SINGLE
SCALE			



TO DRIVE
 TO PXS 214d → ○ 2140
 PINS 218d → ○ 2140 JUMPER 1492SJ5B10

DIODE TERMINALS
 POLARITY MUST BE
 AS SHOWN



UNITS ARE MILLIMETERS
 (i.e.X.XXmm [x.xxx"])
 DO NOT SCALE DRAWING



REV	REV BY	REV DATE	CHK BY	DESCRIPTION	REV	REV BY	REV DATE	CHK BY	DESCRIPTION
B		8/13/2015		ADDED 215CR & 216CR CIRCUITS	D		10/26/2015		CHGD 208 FWR TO REV COMAND & CONTACTS ON 214,218
C		9/28/2015		REMOVED TERMINALS 2T1,2T2,2T3	E		4-26-2016		ADDED WIRE#S 2151,2161, & DIODE INSIDE TERMS
G		01/30/2017		ADDED COMP.PXSs					

EXCEPT AS NOTED
 DECIMAL TOL. SHALL BE:
 0 PLACE (FRACTIONS) ± .400 [1/64"]
 1 PLACE ± .200 [0.010"]
 2 PLACE ± .100 [0.005"]
 3 PLACE ± .010 [0.0005"]
 ALL DOWEL LOC± 0.010[.0005"]
 BETWEEN HOLES

EXCEPT AS NOTED, MAXIMUM
 ALLOWABLE ROUGHNESS SHALL BE:
 1 PLACE FINISH 6 MICRONS (250 MICROINCHES)
 2 PLACE FINISH 3 MICRONS (125 MICROINCHES)
 3 PLACE FINISH 1.6 MICRONS (63 MICROINCHES)

TOOL NAME POWERFLEX 525 PANEL BOX SINGLE - 1HP			
DRAWN BY cmwll/ams	DATE 06-24-15	LAST EDIT BY cmwll/ams	ENG APPROVAL
SHEET 2	OF 6	FILE NAME	INS-SO2102 1HP SINGLE
SCALE			

SPARE SHEET

THIS SHEET INTENTIONALLY BLANK

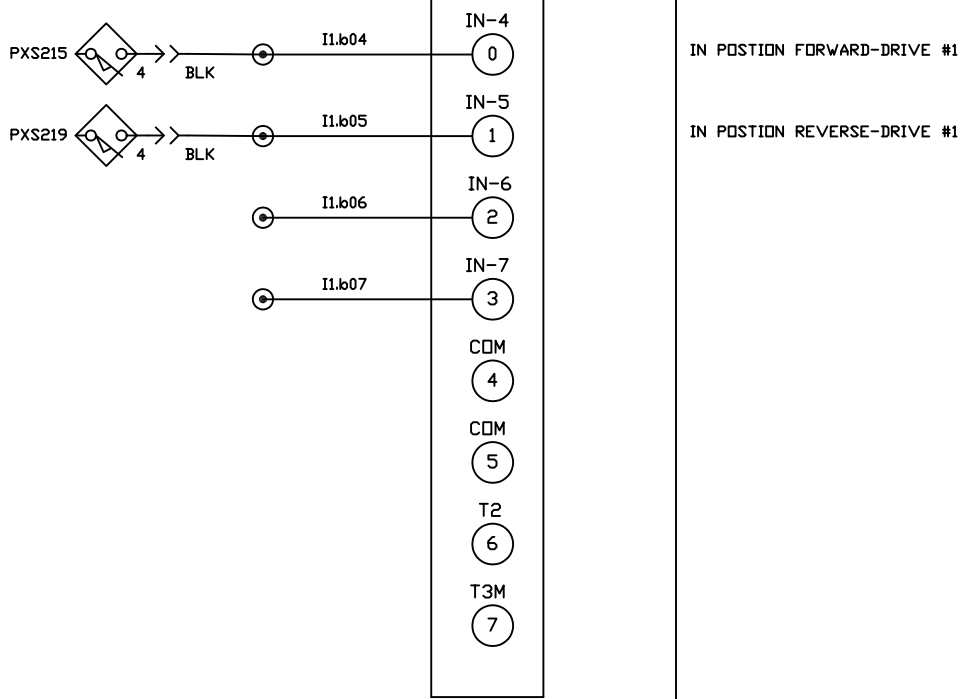
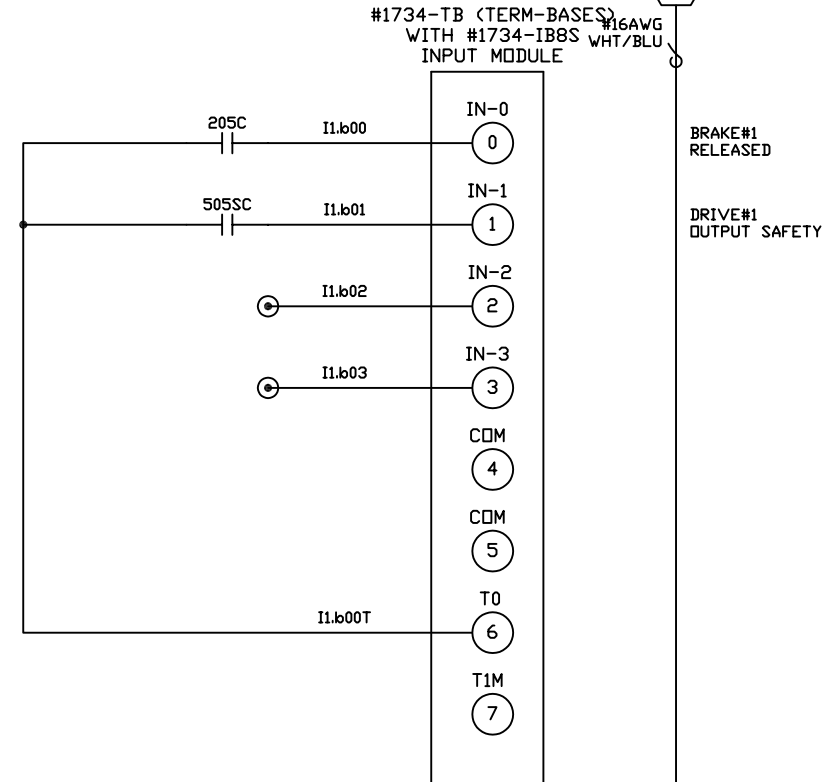
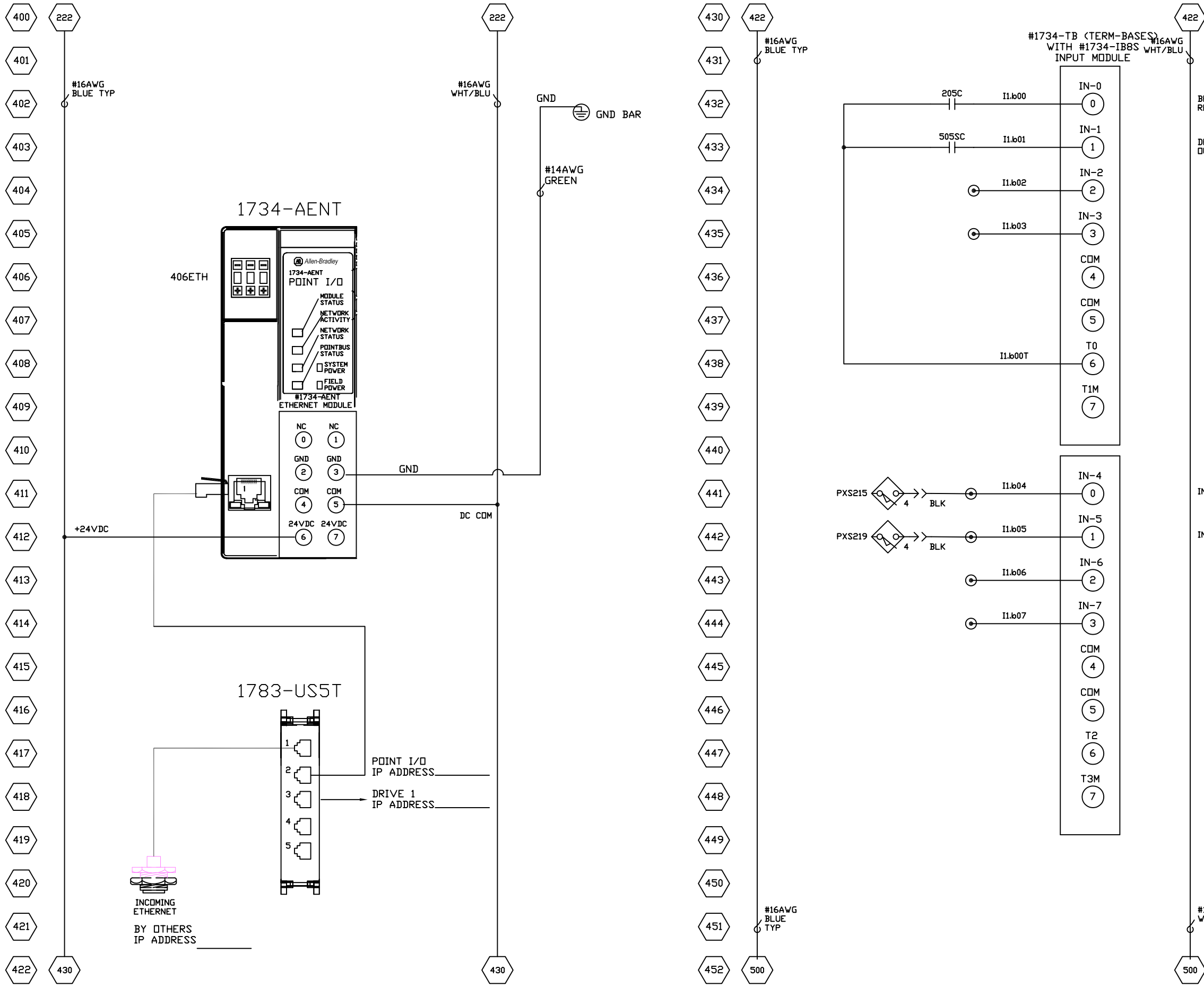
UNITS ARE MILLIMETERS
(i.e.X.XXmm [x.xxx"])
DO NOT SCALE DRAWING

EXCEPT AS NOTED DECIMAL TOL. SHALL BE:	EXCEPT AS NOTED, MAXIMUM ALLOWABLE ROUGHNESS SHALL BE:
0 PLACE (FRACTIONS) ± .400 [1/64"]	1 PLACE FINISH 6 MICRONS (250 MICROINCHES)
1 PLACE ± .200 [0.010"]	2 PLACE FINISH 3 MICRONS (125 MICROINCHES)
2 PLACE ± .100 [0.005"]	3 PLACE FINISH 1.6 MICRONS (63 MICROINCHES)
3 PLACE ± .010 [0.0005"]	
ALL DOWEL LOC± 0.010[.0005"] BETWEEN HOLES	



TOOL NAME POWERFLEX 525 PANEL BOX SINGLE - 1HP			
DRAWN BY cmcwilliams	DATE 06-24-15	LAST EDIT BY cmcwilliams	ENG APPROVAL
SHEET 3	OF 6	FILE NAME	INS-SO2102 1HP SINGLE
SCALE			

REV	REV BY	REV DATE	CHK BY	DESCRIPTION
		6/2/2008		



BRAKE#1
RELEASED

DRIVE#1
OUTPUT SAFETY

IN POSTION FORWARD-DRIVE #1

IN POSTION REVERSE-DRIVE #1

UNITS ARE MILLIMETERS
(i.e.X.XXmm [x.xxx"])
DO NOT SCALE DRAWING

REV	REV BY	REV DATE	CHK BY	DESCRIPTION
E		2/19/2016		UPDATED CROSS REF HEX'S
G		01/30/2017		ADDED INPUTS 04&05

EXCEPT AS NOTED
DECIMAL TOL. SHALL BE:
0 PLACE (FRACTIONS) ± .400 [1/64"]
1 PLACE ± .200 [0.010"]
2 PLACE ± .100 [0.005"]
3 PLACE ± .010 [0.0005"]
ALL DOWEL LOC± 0.010[0.0005"]
BETWEEN HOLES

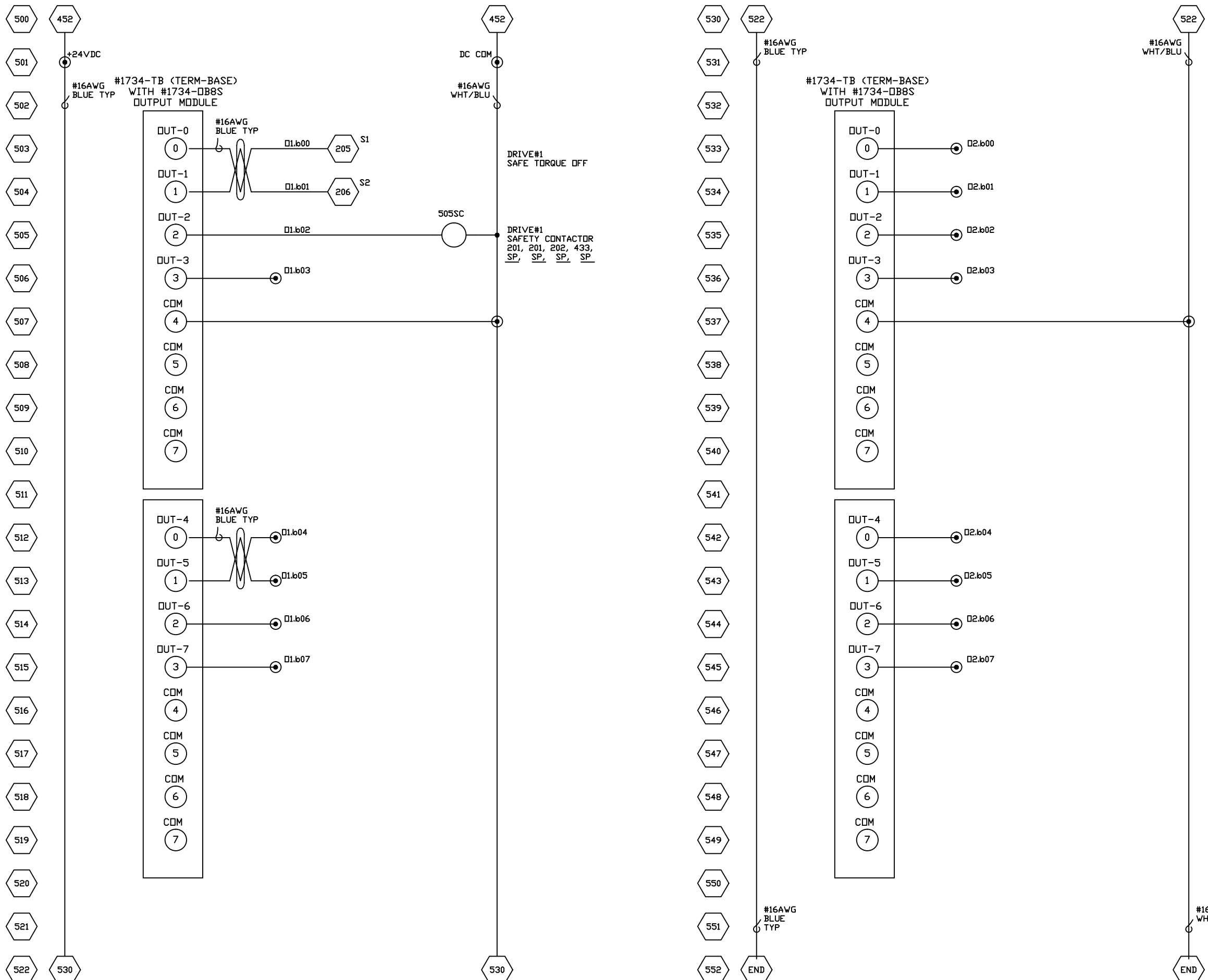
EXCEPT AS NOTED, MAXIMUM
ALLOWABLE ROUGHNESS SHALL BE:
1 PLACE FINISH 6 MICRONS (250 MICROINCHES)
2 PLACE FINISH 3 MICRONS (125 MICROINCHES)
3 PLACE FINISH 1.6 MICRONS (63 MICROINCHES)

WELKER
BEARING COMPANY

TOOL NAME
POWERFLEX 525 PANEL BOX SINGLE - 1HP

DRAWN BY cmcw/ams	DATE 06-24-15	LAST EDIT BY cmcw/ams	ENG APPROVAL
SHEET 4	OF 6	FILE NAME	INS-SO2102 1HP SINGLE

SCALE



UNITS ARE MILLIMETERS
(i.e.X.XXmm [x.xxx"])
DO NOT SCALE DRAWING

EXCEPT AS NOTED
DECIMAL TOL. SHALL BE:
0 PLACE (FRACTIONS) ± .400 [1/64"]
1 PLACE ± .200 [0.010"]
2 PLACE ± .100 [0.005"]
3 PLACE ± .010 [0.0005"]
ALL DOWEL LOC± 0.010[.0005"]
BETWEEN HOLES

EXCEPT AS NOTED, MAXIMUM
ALLOWABLE ROUGHNESS SHALL BE:
1 PLACE FINISH 6 MICRONS (250 MICROINCHES)
2 PLACE FINISH 3 MICRONS (125 MICROINCHES)
3 PLACE FINISH 1.6 MICRONS (63 MICROINCHES)

REV	REV BY	REV DATE	CHK BY	DESCRIPTION
E		2/19/2016		UPDATED CROSS REF HEX'S

WEKER
BEARING COMPANY

TOOL NAME
POWERFLEX 525 PANEL BOX SINGLE - 1HP

DRAWN BY cmcwilliams	DATE 06-24-15	LAST EDIT BY cmcwilliams	ENG APPROVAL
SHEET 5	OF 6	FILE NAME	INS-SO2102 1HP SINGLE

SCALE

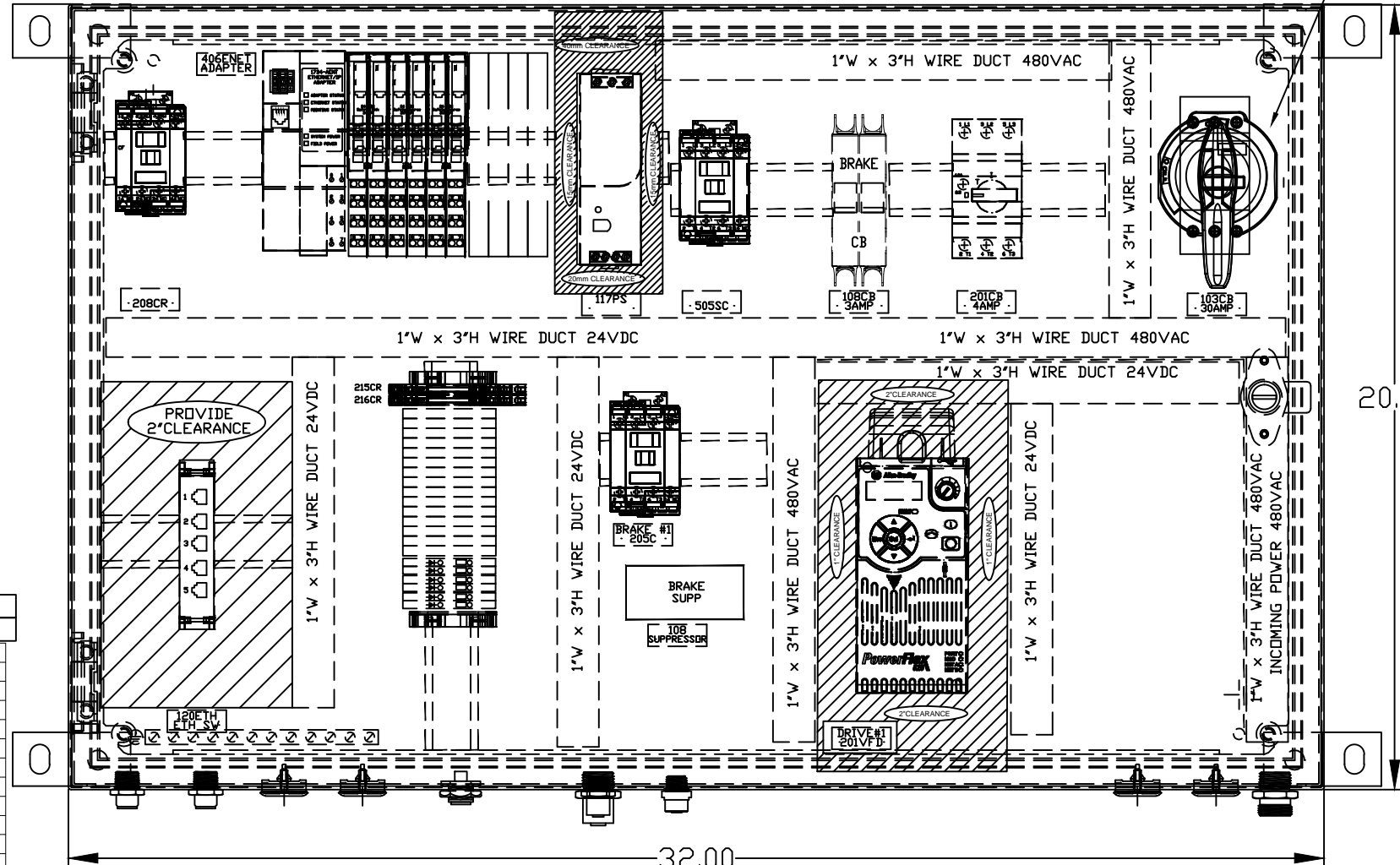
3-BRADY TAGS MOUNTED ON DOOR FRONT NEAR DISCONNECT SWITCH

BRADY 101950 STICKER
WARNING
 Arc Flash And Shock Hazard
 Appropriate PPE Required
 Do not operate controls or open covers without appropriate personal protection equipment. Failure to comply may result in injury or death!
Refer to NFPA 70E for minimum PPE requirements.

WHITE LETTERS ON RED BACKGROUND
BRADY Y1200559 STICKER
WARNING
 DISCONNECT POWER BEFORE WORKING WITHIN

WHITE LETTERS ON RED BACKGROUND
BRADY Y1200590 STICKER
DANGER
480 VAC

LOCKABLE DISCONNECT



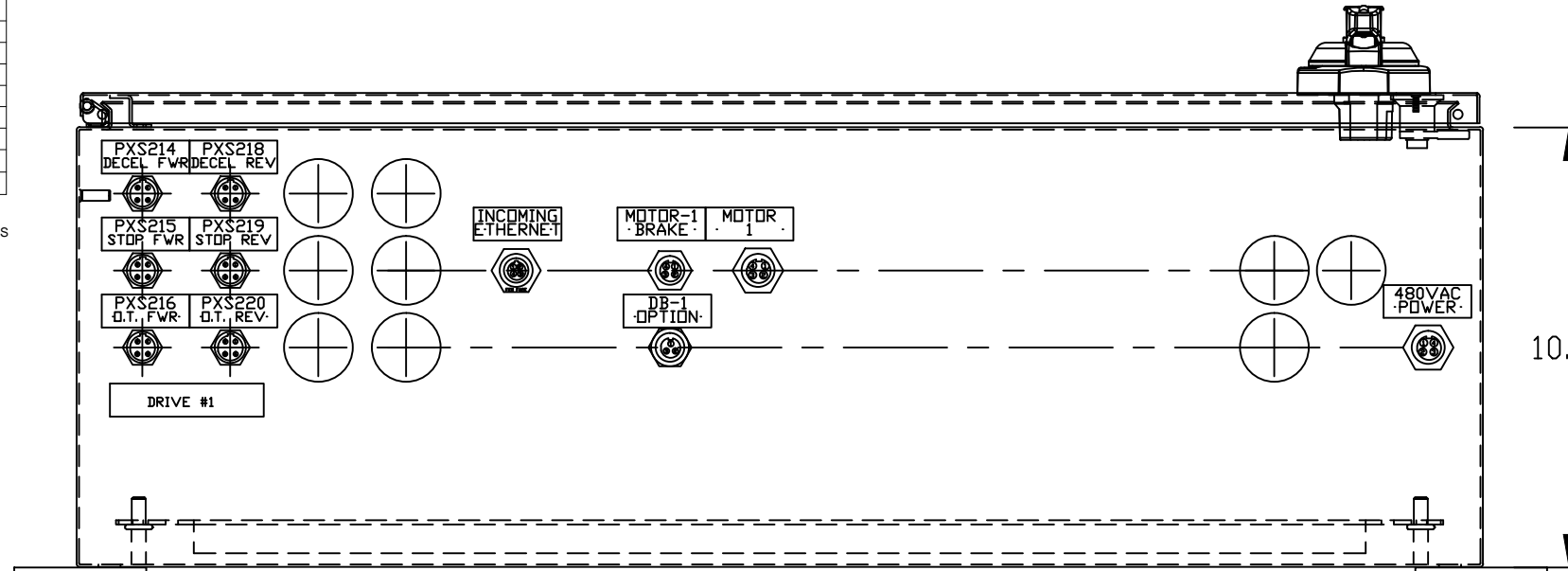
20.00

32.00

215CR	216CR
+24VDC	O VDC
+24VDC	O VDC
+24VDC	O VDC
2180	2141
2180	2141
SPARE	SPARE
SPARE	SPARE
I1.B04	O2.B00
I1.B05	O2.B01
I1.B06	O2.B02
I1.B07	O2.B03
	O2.B04
	O2.B05
O1.B03	O2.B06
O1.B07	O2.B07
214d	2140
218d	2140
215d	2150
219d	2150
216d	2160
220d	2160

15) DOUBLE STACK TERMS TOP BOTTOM LEVEL

(6) DIODE TERMINALS MARKERS EACH SIDE AS SHOWN



10.00

DRIVE NUMBER	PARAMETER NUMBER	PARAMETER NAME	NEW (NON-DEFAULT) VALUE	DATE	INITIALS

SHOP TO APPLY THIS LIST TO INSIDE OF DOOR

EXCEPT AS NOTED
 DECIMAL TOL. SHALL BE:
 0 PLACE (FRACTIONS) ± .400 [1/64"]
 1 PLACE ± .200 [0.010"]
 2 PLACE ± .100 [0.005"]
 3 PLACE ± .010 [0.0005"]
 ALL DOWEL LOC ± 0.010 [0.0005"] BETWEEN HOLES

EXCEPT AS NOTED, MAXIMUM ALLOWABLE ROUGHNESS SHALL BE:
 1 PLACE FINISH 6 MICRONS (250 MICROINCHES)
 2 PLACE FINISH 3 MICRONS (125 MICROINCHES)
 3 PLACE FINISH 1.6 MICRONS (63 MICROINCHES)

WELKER BEARING COMPANY

TOOL NAME
POWERFLEX 525 PANEL BOX SINGLE - 1HP

DRAWN BY	DATE	LAST EDIT BY	ENG APPROVAL
cmwilliams	06-24-15	cmwilliams	

SHEET 6 OF 6 FILE NAME
 SO2102 1HP SINGLE

SCALE

REV	REV BY	REV DATE	CHK BY	DESCRIPTION
A	JL	7/28/2015	CLE	REV'D VFD POSITION WAS HORIZONTAL TO VERTICAL
B	JL	8/13/2015	CLE	ADDED 215CR,216CR TO TERMINAL STRIP

REV	REV BY	REV DATE	CHK BY	DESCRIPTION
C	JL	9/23/2015	CLE	ADDED SUPPRESSOR, & REVISED LAYOUT
E	JL	4-26-2016		REVD TERMINAL STRIP ADD DIODE TERMS