

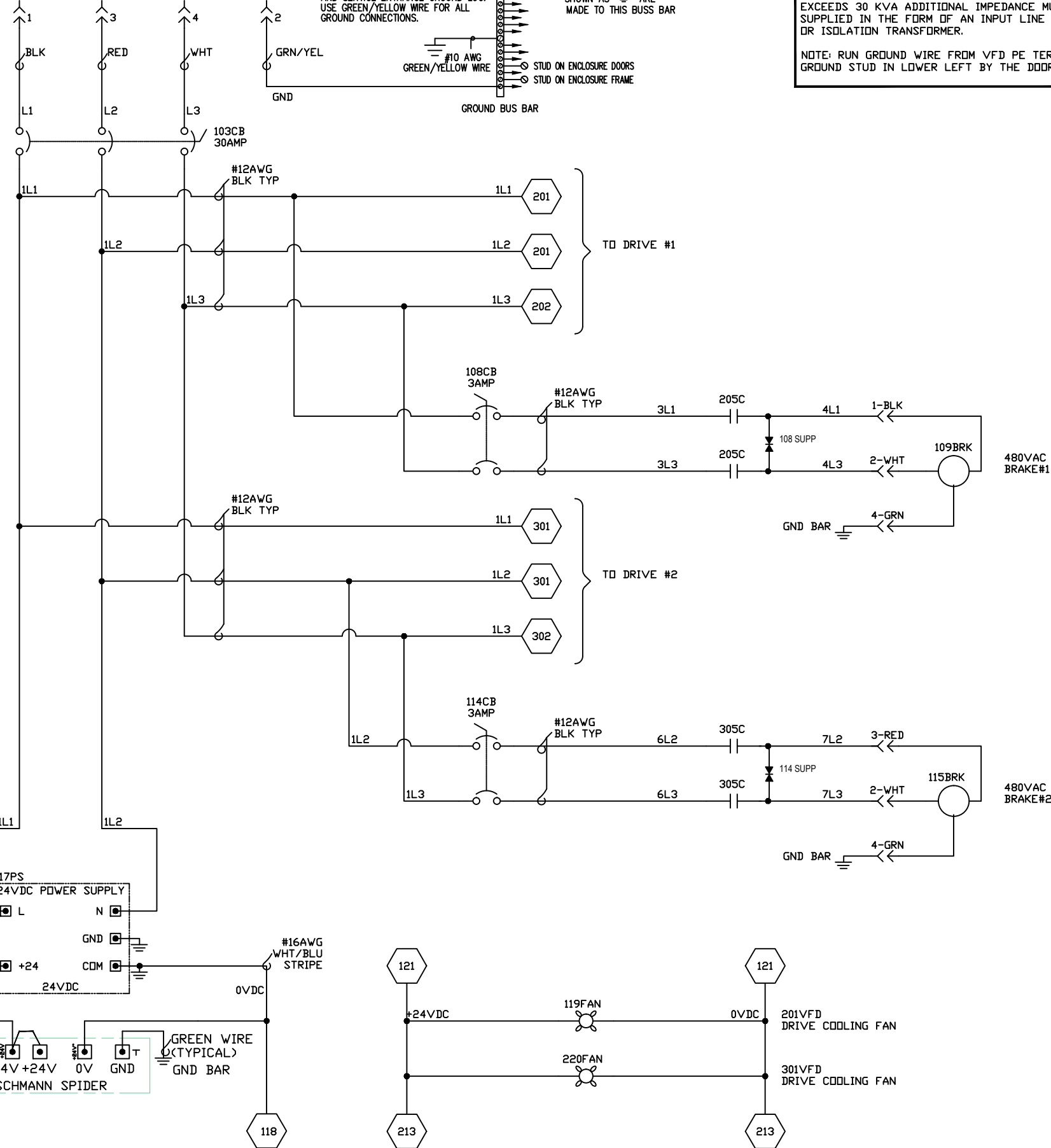
100
101
102
103
104
105
106
107
108
109
110
111
112
113
114
115
116
117
118
119
120
121
122

FROM CUSTOMER 480VAC, 3-PHASE, 60HZ WYE CONNECTED POWER DISTRIBUTION WITH SOLIDLY GROUNDED NEUTRAL.

NOTE: REMOVE PAINT FROM SUBPLATE AND SERVICE ENTRANCE GROUND LUG. USE GREEN/YELLOW WIRE FOR ALL GROUND CONNECTIONS.

NOTE: ALL CONNECTIONS SHOWN SHOWN AS \oplus ARE MADE TO THIS BUSS BAR

NOTE: IF THE USER SUPPLIED INPUT POWER DISTRIBUTION EXCEEDS 30 KVA ADDITIONAL IMPEDANCE MUST BE SUPPLIED IN THE FORM OF AN INPUT LINE REACTOR OR ISOLATION TRANSFORMER.
NOTE: RUN GROUND WIRE FROM VFD PE TERMINAL TO CABINET GROUND STUD IN LOWER LEFT BY THE DOOR HINGE.



UNITS ARE MILLIMETERS
(i.e.X.XXmm [x.xxx"])
DO NOT SCALE DRAWING

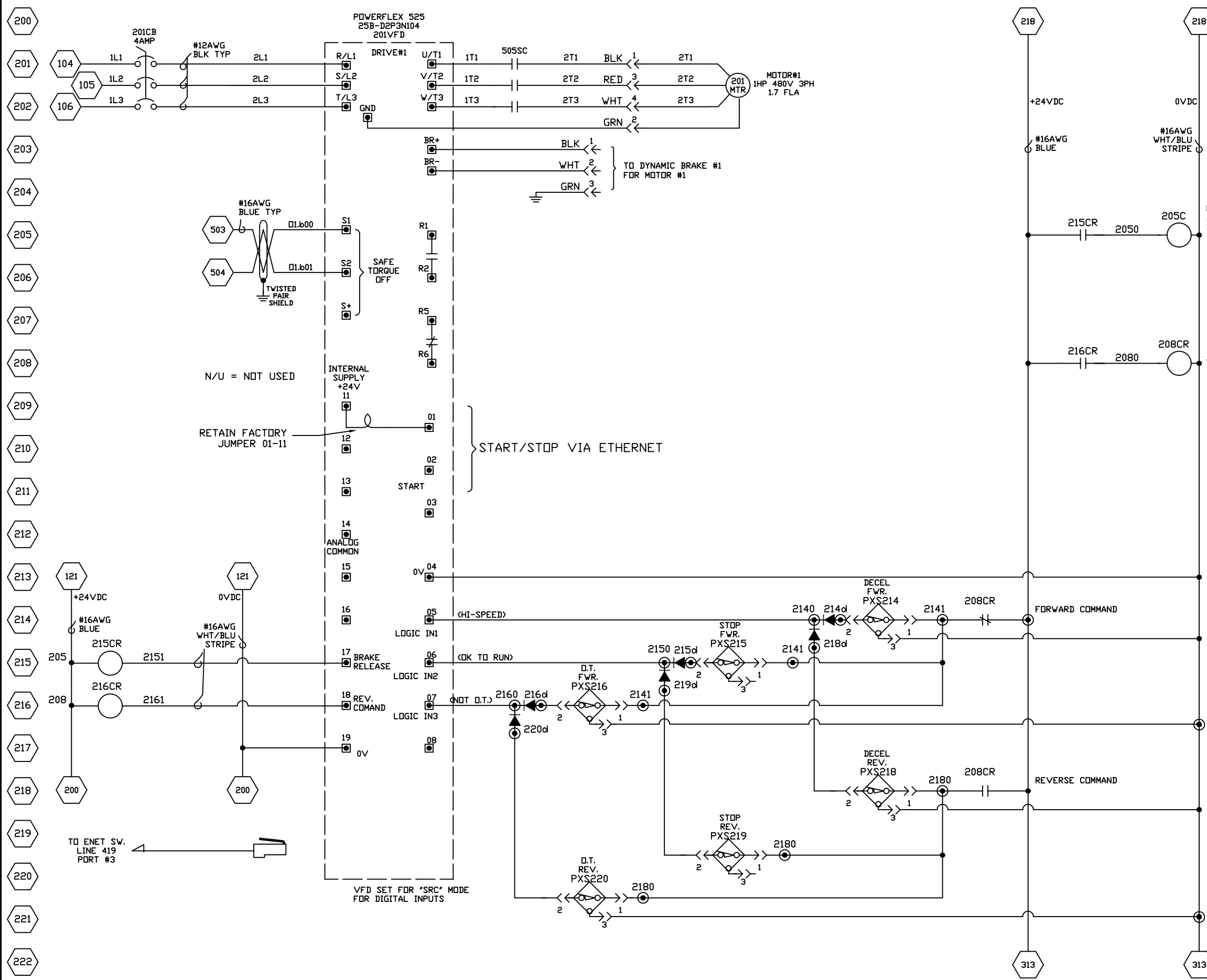


REV	REV BY	REV DATE	CHK BY	DESCRIPTION
B		8/13/2015		FIXED LINE REF #S TO SHEET 2
C		9/28/2015		ADDED 108SUPP & 114SUPP TO THIS SHEET

EXCEPT AS NOTED
DECIMAL TOL. SHALL BE:
0 PLACE (FRACTIONS) $\pm .400$ [1/64"]
1 PLACE $\pm .200$ [0.010"]
2 PLACE $\pm .100$ [0.005"]
3 PLACE $\pm .010$ [0.0005"]
ALL DOWEL LOC ± 0.010 [0.0005"]
BETWEEN HOLES

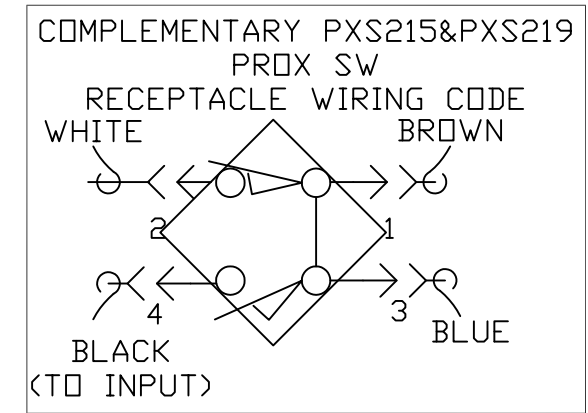
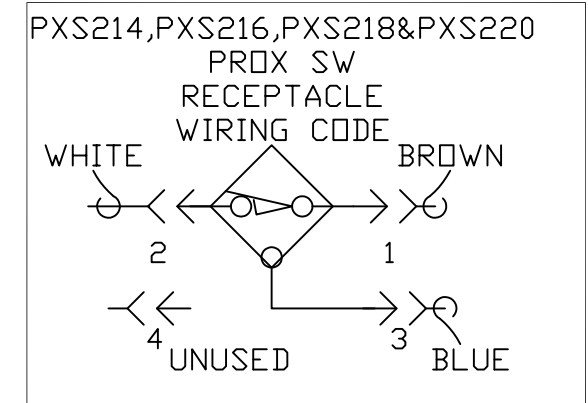
EXCEPT AS NOTED, MAXIMUM
ALLOWABLE ROUGHNESS SHALL BE:
1 PLACE FINISH 6 MICRONS (250 MICROINCHES)
2 PLACE FINISH 3 MICRONS (125 MICROINCHES)
3 PLACE FINISH 1.6 MICRONS (63 MICROINCHES)

TOOL NAME POWERFLEX 525 PANEL BOX DOUBLE - 1HP			
DRAWN BY cmcwilliams	DATE 06-24-15	LAST EDIT BY cmcwilliams	ENG APPROVAL
SHEET 1	OF 6	FILE NAME	INS-SO2103 1HP DOUBLE
SCALE			



TO DRIVE
 TO PXS 214d → ○ 2140
 PINS 218d → ○ 2140
 JUMPER
 1492SJ5B10

DIODE TERMINALS
 POLARITY MUST BE
 AS SHOWN



UNITS ARE MILLIMETERS
 (i.e. X.XXmm [x.xxx])
 DO NOT SCALE DRAWING

REV	REV BY	REV DATE	CHK BY	DESCRIPTION	REV	REV BY	REV DATE	CHK BY	DESCRIPTION
B		8/13/2015		ADDED 215CR & 216CR CIRCUITS	D		10/26/2015		CHGD 208 FWR TO REV COMAND & CONTACTS ON 214, 218
C		9/28/2015		REMOVED TERMINALS 2T1, 2T2, 2T3	E		4-26-2016		ADDED WIRE#S 2151, 2161, & DIODE INSIDE TERMS
G		01/30/2017		ADDED COMP.PXSs					

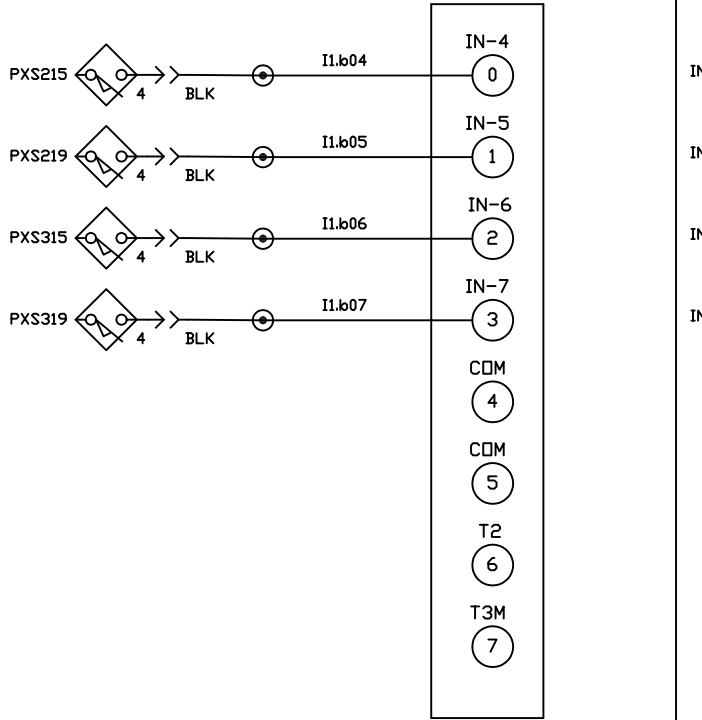
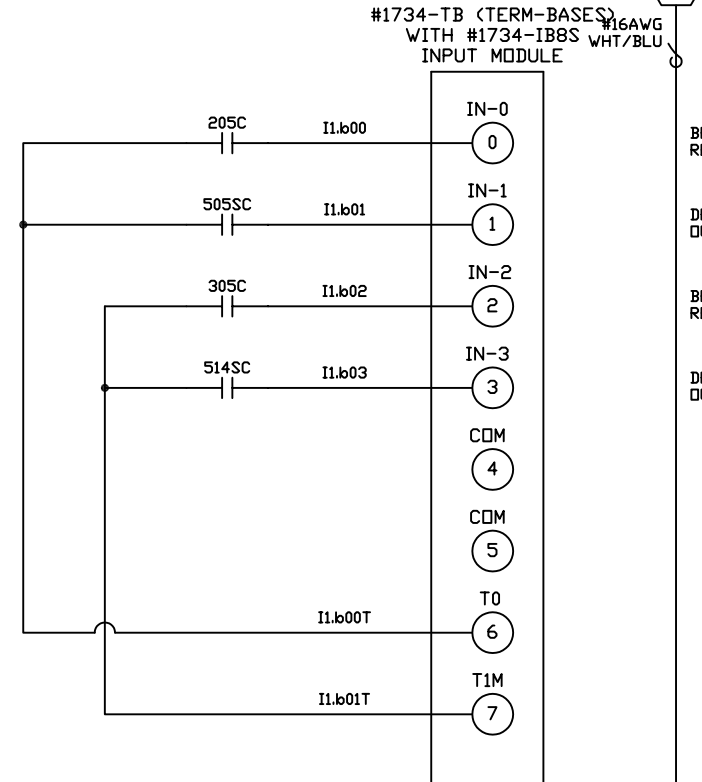
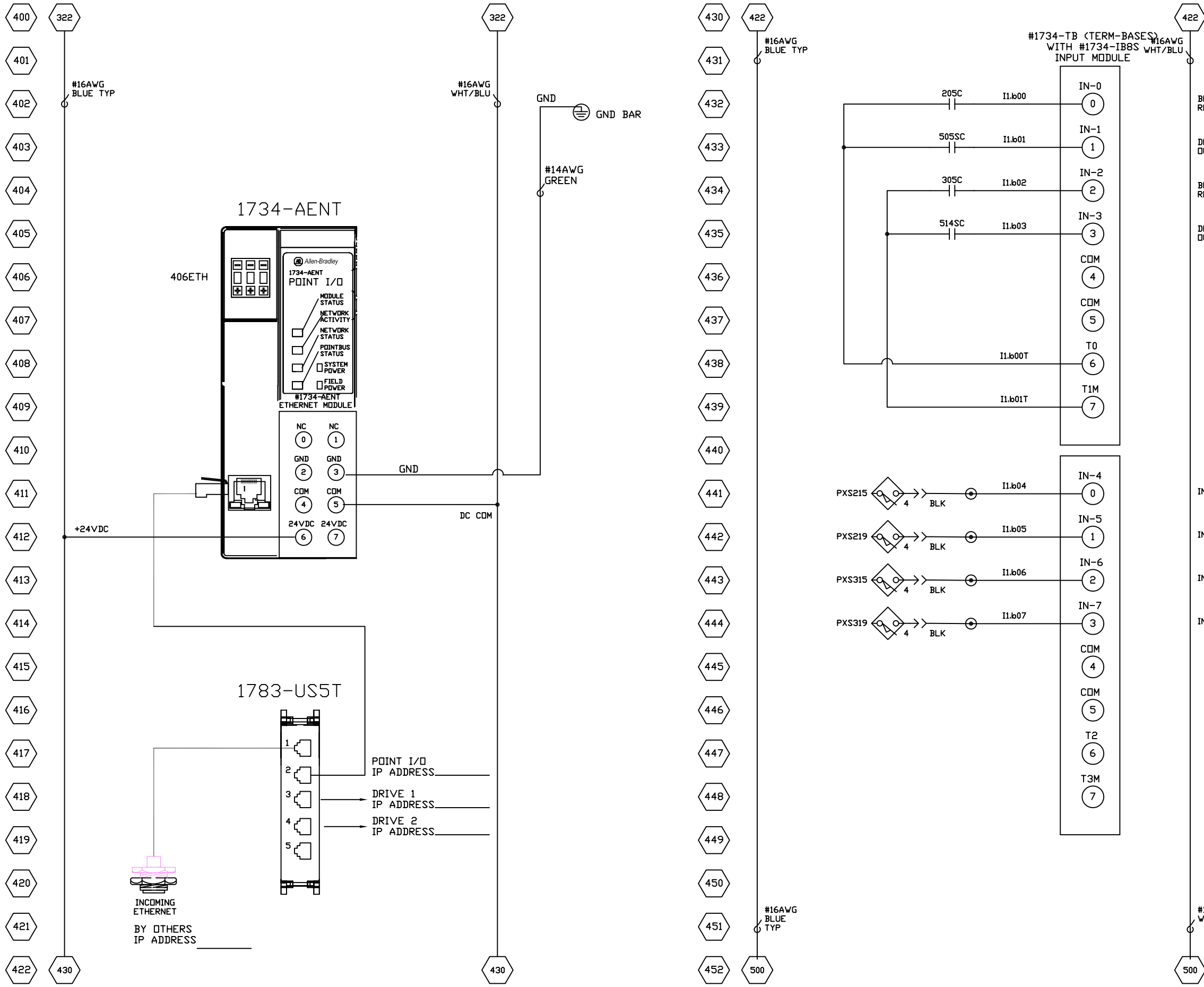
EXCEPT AS NOTED
 DECIMAL TOL. SHALL BE:
 0 PLACE (FRACTIONS) ± .400 [1/64"]
 1 PLACE ± .200 [0.010"]
 2 PLACE ± .100 [0.005"]
 3 PLACE ± .010 [0.0005"]
 ALL DOWEL LOC ± 0.010 [0.0005"]
 BETWEEN HOLES

EXCEPT AS NOTED, MAXIMUM
 ALLOWABLE ROUGHNESS SHALL BE:
 1 PLACE FINISH 6 MICRONS (250 MICROINCHES)
 2 PLACE FINISH 3 MICRONS (125 MICROINCHES)
 3 PLACE FINISH 1.6 MICRONS (63 MICROINCHES)

WELKER
 BEARING COMPANY

TOOL NAME
POWERFLEX 525 PANEL BOX DOUBLE - 1HP

DRAWN BY cmw/llams	DATE 06-24-15	LAST EDIT BY cmw/llams	ENG APPROVAL
SHEET 2	OF 6	FILE NAME	INS-SO2103 1HP DOUBLE
SCALE			



BRAKE#1 RELEASED
 DRIVE#1 OUTPUT SAFETY
 BRAKE#2 RELEASED
 DRIVE#2 OUTPUT SAFETY
 IN POSITION FORWARD-DRIVE #1
 IN POSITION REVERSE-DRIVE #1
 IN POSITION FORWARD-DRIVE #2
 IN POSITION REVERSE-DRIVE #2

UNITS ARE MILLIMETERS
 (i.e.X.XXmm [x.xxx"])
 DO NOT SCALE DRAWING

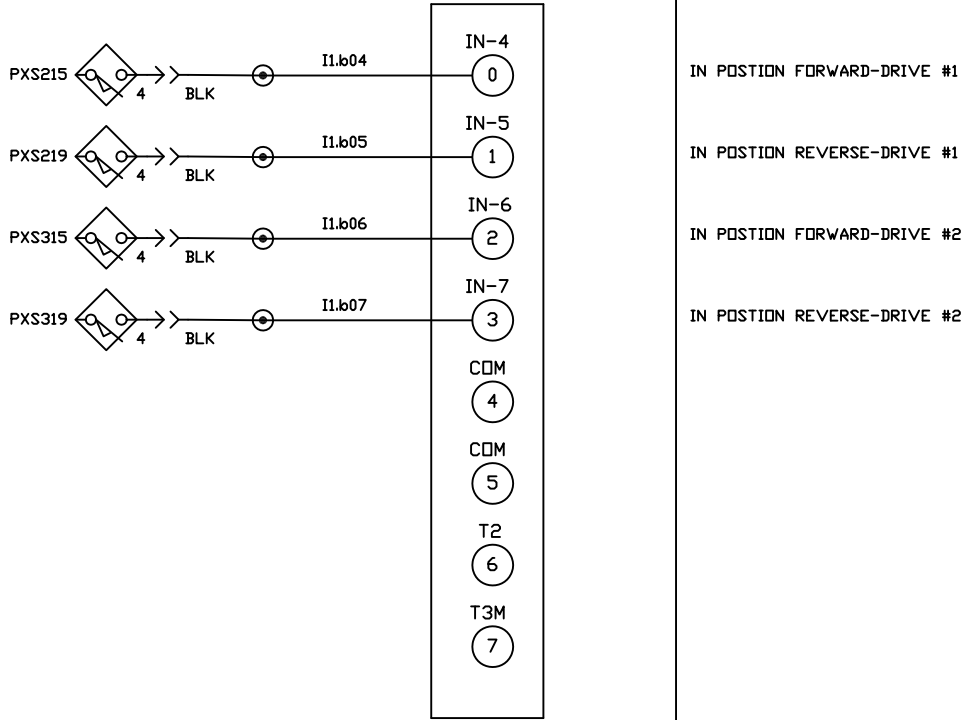
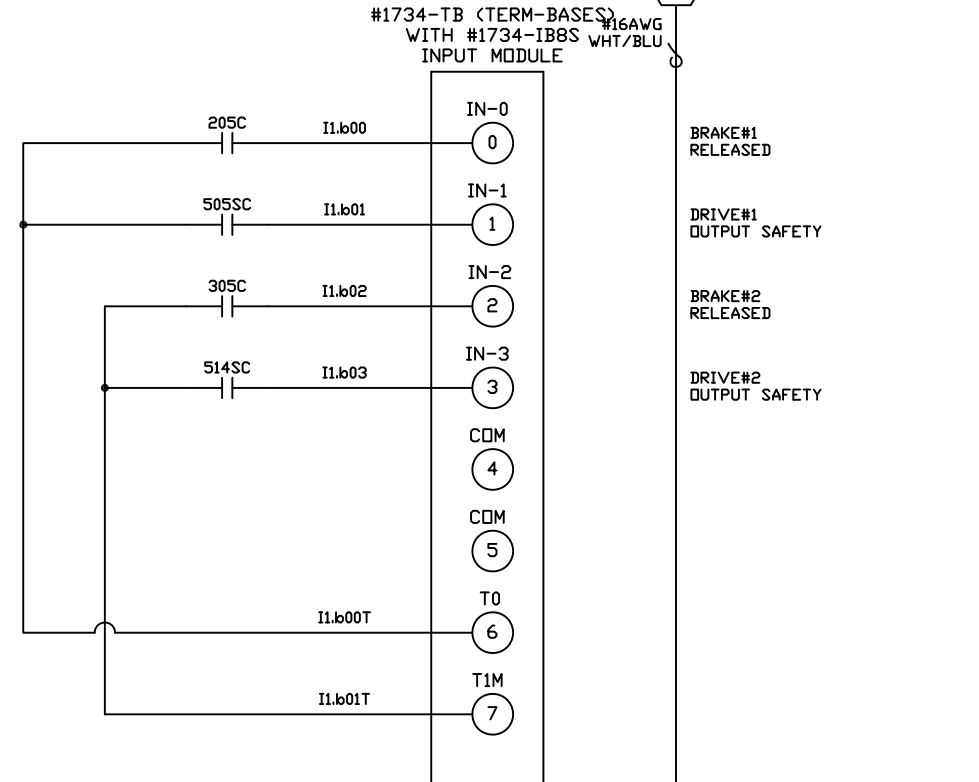
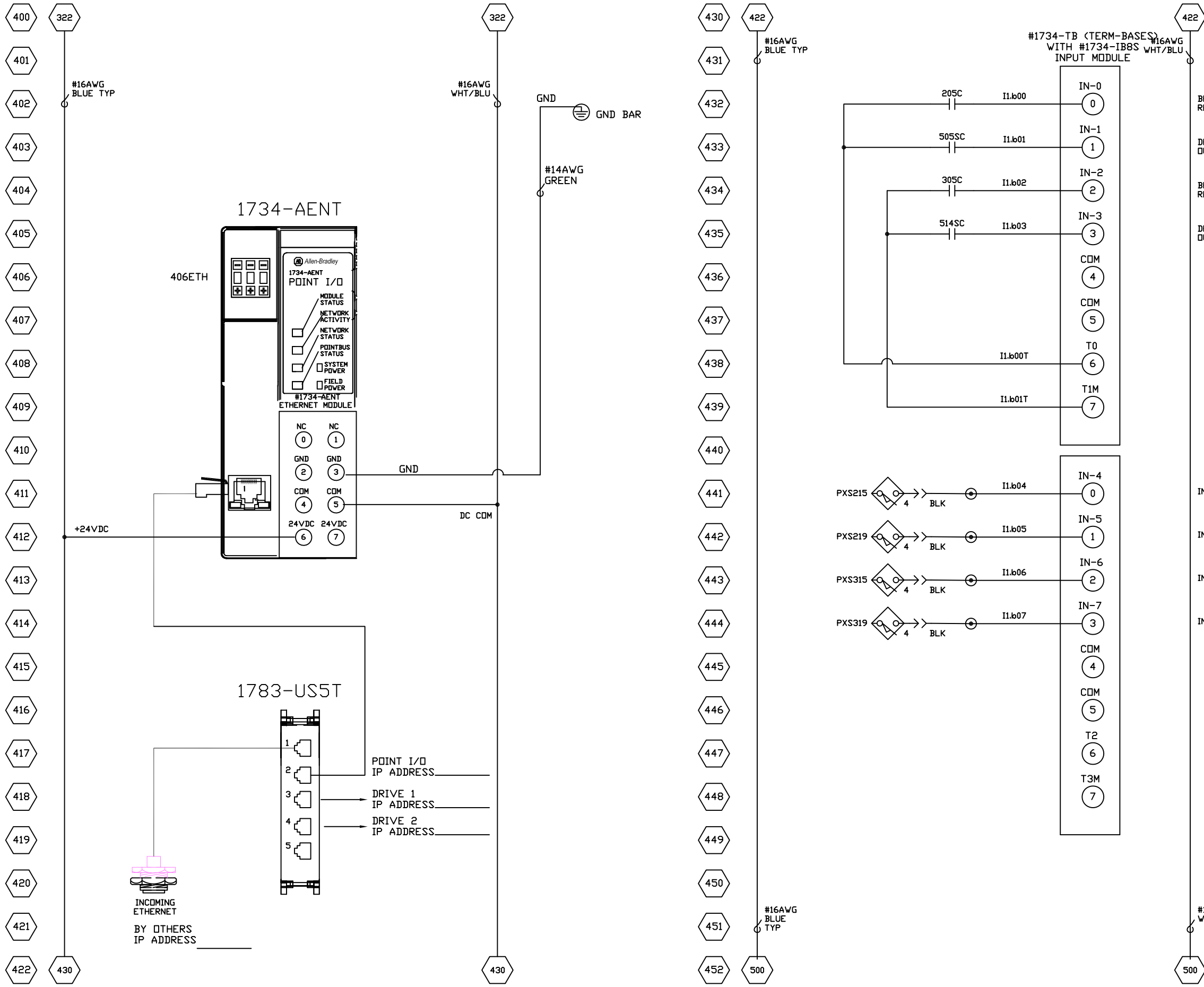
REV	REV BY	REV DATE	CHK BY	DESCRIPTION
E		2/19/2016		UPDATED CROSS REF HEX'S
G		01/30/2017		ADDED INPUTS 04-07

EXCEPT AS NOTED
 DECIMAL TOL. SHALL BE:
 0 PLACE (FRACTIONS) ± .400 [1/64"]
 1 PLACE ± .200 [0.010"]
 2 PLACE ± .100 [0.005"]
 3 PLACE ± .010 [0.0005"]
 ALL DOWEL LOC± 0.010[.0005"]
 BETWEEN HOLES

EXCEPT AS NOTED, MAXIMUM
 ALLOWABLE ROUGHNESS SHALL BE:
 1 PLACE FINISH 6 MICRONS (250 MICROINCHES)
 2 PLACE FINISH 3 MICRONS (125 MICROINCHES)
 3 PLACE FINISH 1.6 MICRONS (63 MICROINCHES)

WELKER
BEARING COMPANY

TOOL NAME POWERFLEX 525 PANEL BOX DOUBLE - 1HP			
DRAWN BY cmcw/ams	DATE 06-24-15	LAST EDIT BY cmcw/ams	ENG APPROVAL
SHEET 4	OF 6	FILE NAME INS-SO2103 1HP DOUBLE	
SCALE			



BRAKE#1
RELEASED

DRIVE#1
OUTPUT SAFETY

BRAKE#2
RELEASED

DRIVE#2
OUTPUT SAFETY

IN POSTION FORWARD-DRIVE #1

IN POSTION REVERSE-DRIVE #1

IN POSTION FORWARD-DRIVE #2

IN POSTION REVERSE-DRIVE #2

UNITS ARE MILLIMETERS
(i.e.X.XXmm [x.xxx"])
DO NOT SCALE DRAWING

REV	REV BY	REV DATE	CHK BY	DESCRIPTION
E		2/19/2016		UPDATED CROSS REF HEX'S
G		01/23/2017		ADDED INPUTS 04-07

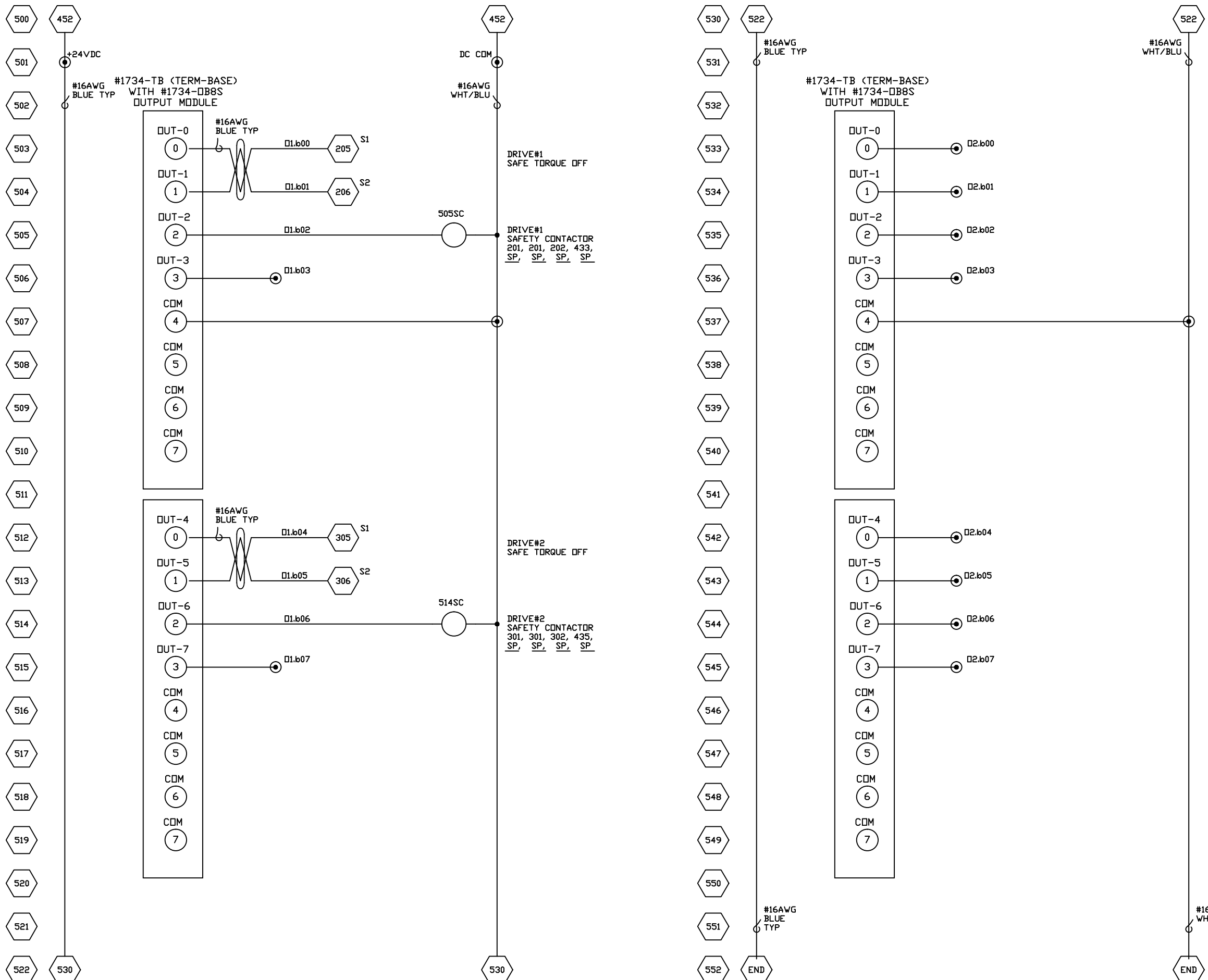
EXCEPT AS NOTED
DECIMAL TOL. SHALL BE:
0 PLACE (FRACTIONS) ± .400 [1/64"]
1 PLACE ± .200 [0.010"]
2 PLACE ± .100 [0.005"]
3 PLACE ± .010 [0.0005"]
ALL DOWEL LOC± 0.010[0.0005"]
BETWEEN HOLES

EXCEPT AS NOTED, MAXIMUM
ALLOWABLE ROUGHNESS SHALL BE:
1 PLACE FINISH 6 MICRONS (250 MICROINCHES)
2 PLACE FINISH 3 MICRONS (125 MICROINCHES)
3 PLACE FINISH 1.6 MICRONS (63 MICROINCHES)

WELKER
BEARING COMPANY

TOOL NAME
POWERFLEX 525 PANEL BOX DOUBLE - 1HP

DRAWN BY cmcwllams	DATE 06-24-15	LAST EDIT BY cmcwllams	ENG APPROVAL
SHEET 4	OF 6	FILE NAME	INS-SO2103 1HP DOUBLE
SCALE			



UNITS ARE MILLIMETERS
(i.e.X.XXmm [x.xxx"])
DO NOT SCALE DRAWING

EXCEPT AS NOTED DECIMAL TOL. SHALL BE:		EXCEPT AS NOTED, MAXIMUM ALLOWABLE ROUGHNESS SHALL BE:	
0 PLACE (FRACTIONS) ± .400 [1/64"]	1 PLACE ± .200 [0.010"]	1 PLACE FINISH 6 MICRONS (250 MICROINCHES)	2 PLACE FINISH 3 MICRONS (125 MICROINCHES)
2 PLACE ± .100 [0.005"]	3 PLACE ± .010 [0.0005"]	3 PLACE FINISH 1.6 MICRONS (63 MICROINCHES)	
ALL DOWEL LOC± 0.010[.0005"] BETWEEN HOLES			

REV	REV BY	REV DATE	CHK BY	DESCRIPTION
E		2/19/2016		UPDATED CROSS REF HEX'S

WEKER
BEARING COMPANY

TOOL NAME
POWERFLEX 525 PANEL BOX DOUBLE - 1HP

DRAWN BY cmwilliams	DATE 06-24-15	LAST EDIT BY cmwilliams	ENG APPROVAL
SHEET 5	OF 6	FILE NAME	INS-SO2103 1HP DOUBLE
SCALE			

