

100
101
102
103
104
105
106
107
108
109
110
111
112
113
114
115
116
117
118
119
120
121
122

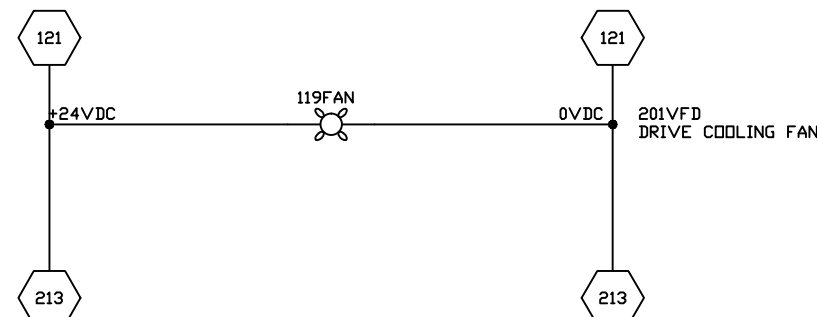
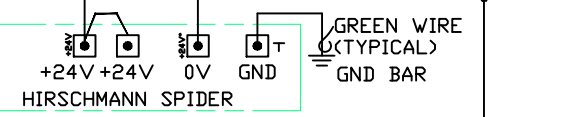
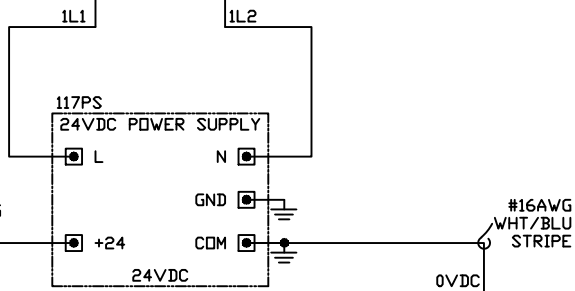
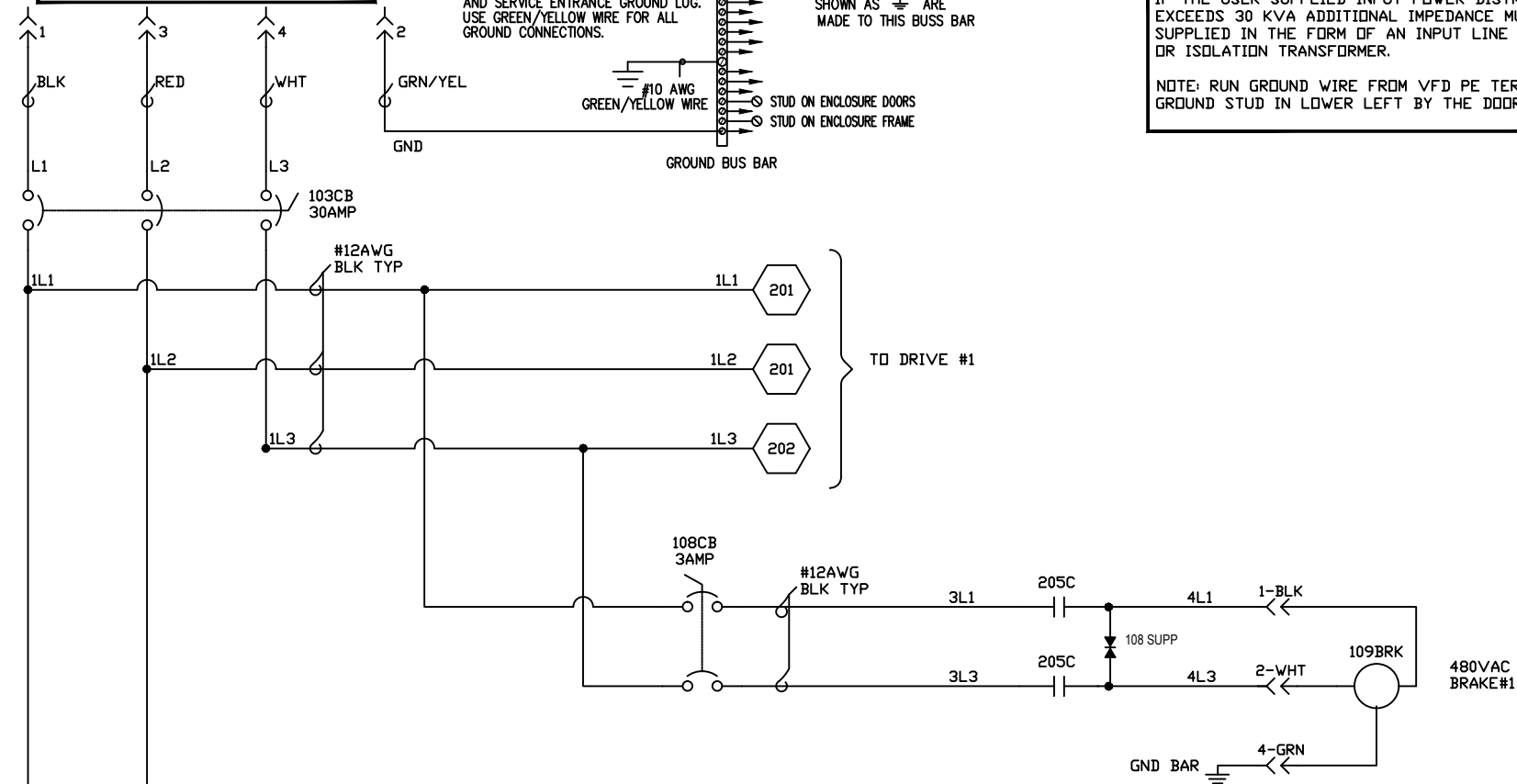
FROM CUSTOMER 480VAC, 3-PHASE, 60HZ WYE CONNECTED POWER DISTRIBUTION WITH SOLIDLY GROUNDED NEUTRAL.

NOTE: REMOVE PAINT FROM SUBPLATE AND SERVICE ENTRANCE GROUND LUG. USE GREEN/YELLOW WIRE FOR ALL GROUND CONNECTIONS.

NOTE: ALL CONNECTIONS SHOWN AS \oplus ARE MADE TO THIS BUSS BAR

NOTE: IF THE USER SUPPLIED INPUT POWER DISTRIBUTION EXCEEDS 30 KVA ADDITIONAL IMPEDANCE MUST BE SUPPLIED IN THE FORM OF AN INPUT LINE REACTOR OR ISOLATION TRANSFORMER.

NOTE: RUN GROUND WIRE FROM VFD PE TERMINAL TO CABINET GROUND STUD IN LOWER LEFT BY THE DOOR HINGE.



UNITS ARE MILLIMETERS
(i.e.X.XXmm [x.xxx"])
DO NOT SCALE DRAWING

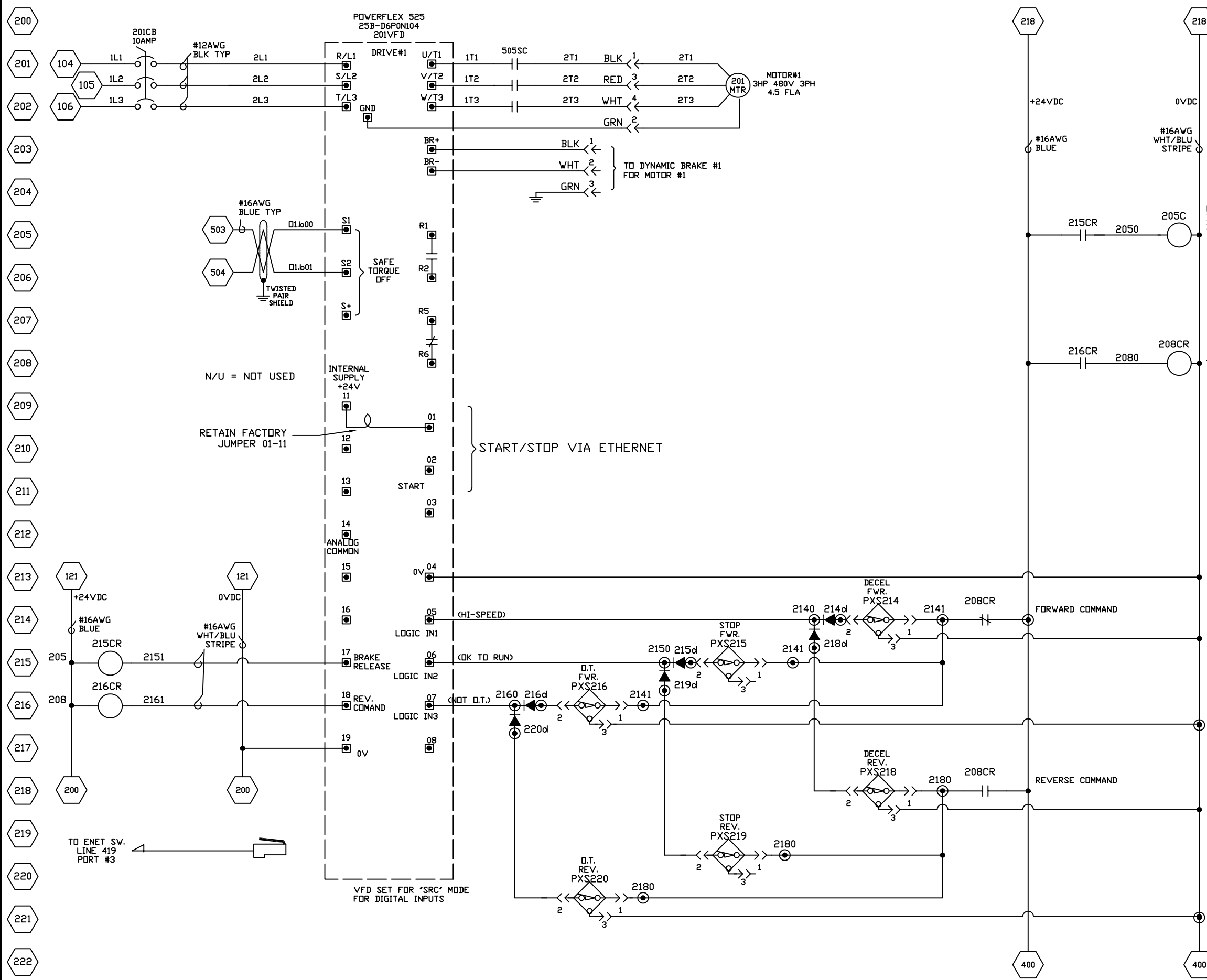
EXCEPT AS NOTED
DECIMAL TOL. SHALL BE:
0 PLACE (FRACTIONS) ± .400 [1/64"]
1 PLACE ± .200 [0.010"]
2 PLACE ± .100 [0.005"]
3 PLACE ± .010 [0.0005"]
ALL DOWEL LOC ± 0.010 [0.0005"]
BETWEEN HOLES

EXCEPT AS NOTED, MAXIMUM
ALLOWABLE ROUGHNESS SHALL BE:
1 PLACE FINISH 6 MICRONS (250 MICROINCHES)
2 PLACE FINISH 3 MICRONS (125 MICROINCHES)
3 PLACE FINISH 1.6 MICRONS (63 MICROINCHES)

REV	REV BY	REV DATE	CHK BY	DESCRIPTION
B		8/13/2015		FIXED LINE REF #S TO SHEET 2
C		9/28/2015		ADDED 108SUPP & 114SUPP TO THIS SHEET

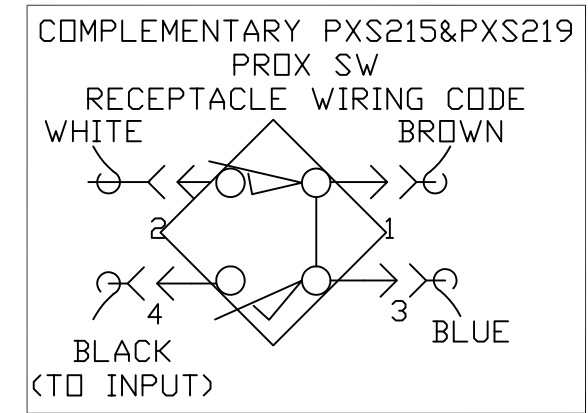
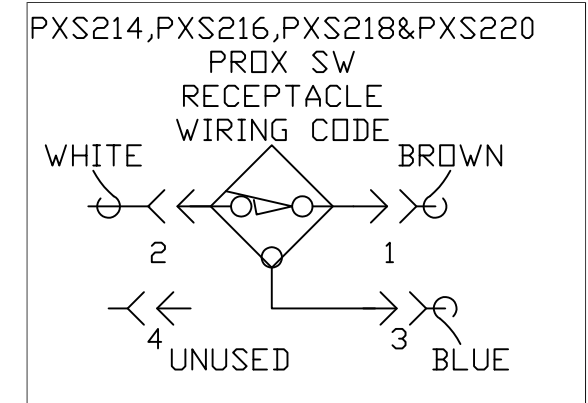


TOOL NAME POWERFLEX 525 PANEL BOX SINGLE - 3HP			
DRAWN BY cmcwilliams	DATE 06-24-15	LAST EDIT BY cmcwilliams	ENG APPROVAL
SHEET 1	OF 6	FILE NAME	INS-SO2104 3HP SINGLE
SCALE			



TO DRIVE
 TO PXS 214d → ○ 2140
 PINS 218d → ○ 2140
JUMPER
 1492SJ5B10

**DIODE TERMINALS
 POLARITY MUST BE
 AS SHOWN**



UNITS ARE MILLIMETERS
 (i.e. X.XXmm [x.xxx"])
 DO NOT SCALE DRAWING

REV	REV BY	REV DATE	CHK BY	DESCRIPTION	REV	REV BY	REV DATE	CHK BY	DESCRIPTION
B		8/13/2015		ADDED 215CR & 216CR CIRCUITS	D		10/26/2015		CHGD 208 FWR TO REV COMAND & CONTACTS ON 214,218
C		9/28/2015		REMOVED TERMINALS 2T1,2T2,2T3	E		4-26-2016		ADDED WIRE#S 2151,2161, & DIODE INSIDE TERMS
G		01/30/2017		ADDED COMP.PXSs					

EXCEPT AS NOTED
 DECIMAL TOL. SHALL BE:
 0 PLACE (FRACTIONS) ± .400 [1/64"]
 1 PLACE ± .200 [0.010"]
 2 PLACE ± .100 [0.005"]
 3 PLACE ± .010 [0.0005"]
 ALL DOWEL LOC± 0.010[0.0005"]
 BETWEEN HOLES

EXCEPT AS NOTED, MAXIMUM
 ALLOWABLE ROUGHNESS SHALL BE:
 1 PLACE FINISH 6 MICRONS (250 MICROINCHES)
 2 PLACE FINISH 3 MICRONS (125 MICROINCHES)
 3 PLACE FINISH 1.6 MICRONS (63 MICROINCHES)

WALKER BEARING COMPANY

TOOL NAME
POWERFLEX 525 PANEL BOX SINGLE - 3HP

DRAWN BY cmcw/ams	DATE 06-24-15	LAST EDIT BY cmcw/ams	ENG APPROVAL
SHEET 2	OF 6	FILE NAME	INS-SO2104 3HP SINGLE
SCALE			

SPARE SHEET

THIS SHEET INTENTIONALLY BLANK

UNITS ARE MILLIMETERS
(i.e.X.XXmm [x.xxx"])
DO NOT SCALE DRAWING

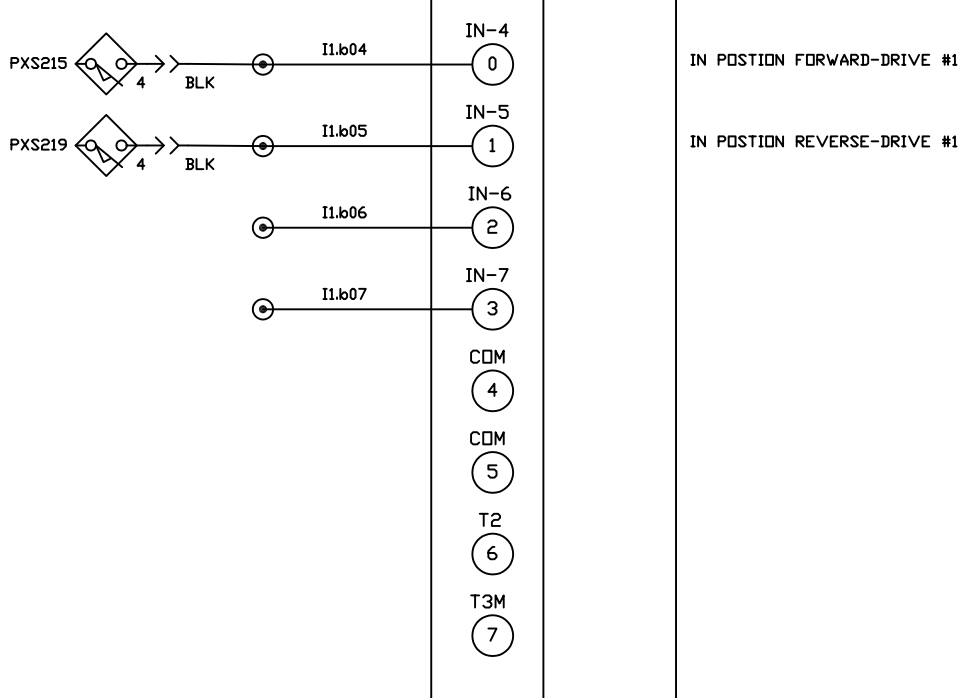
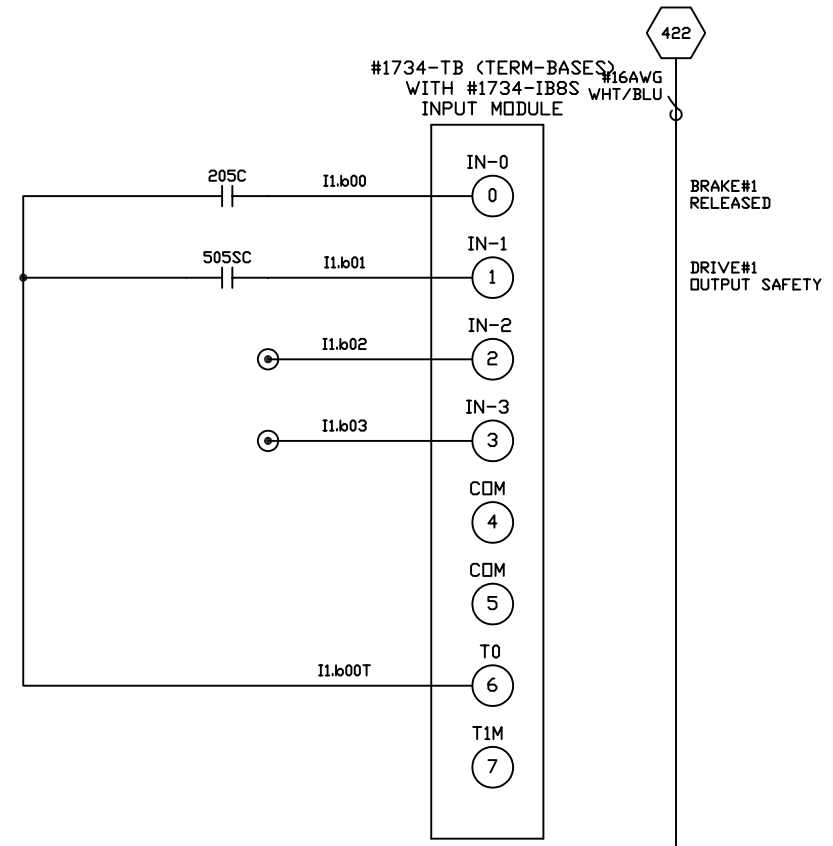
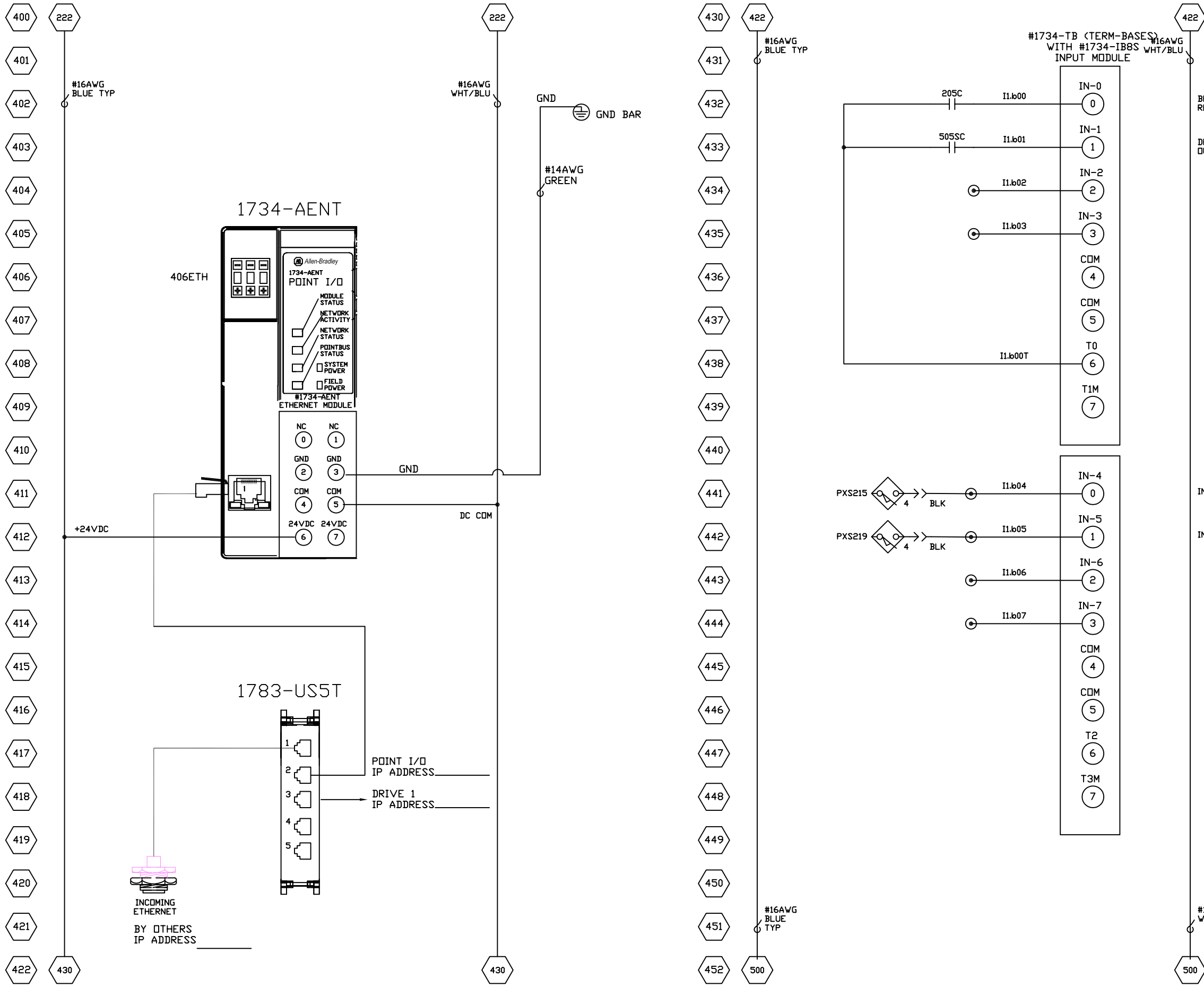
EXCEPT AS NOTED
DECIMAL TOL. SHALL BE:
0 PLACE (FRACTIONS) ± .400 [1/64"]
1 PLACE ± .200 [0.010"]
2 PLACE ± .100 [0.005"]
3 PLACE ± .010 [0.0005"]
ALL DOWEL LOC± 0.010[.0005"]
BETWEEN HOLES

EXCEPT AS NOTED, MAXIMUM
ALLOWABLE ROUGHNESS SHALL BE:
1 PLACE FINISH 6 MICRONS (250 MICROINCHES)
2 PLACE FINISH 3 MICRONS (125 MICROINCHES)
3 PLACE FINISH 1.6 MICRONS (63 MICROINCHES)

REV	REV BY	REV DATE	CHK BY	DESCRIPTION
		6/2/2008		



TOOL NAME POWERFLEX 525 PANEL BOX SINGLE - 3HP			
DRAWN BY cmcwilliams	DATE 06-24-15	LAST EDIT BY cmcwilliams	ENG APPROVAL
SHEET 3	OF 6	FILE NAME INS-SO2104 3HP SINGLE	
SCALE			



UNITS ARE MILLIMETERS
(i.e.X.XXmm [x.xxx"])
DO NOT SCALE DRAWING

REV	REV BY	REV DATE	CHK BY	DESCRIPTION
E		2/19/2016		UPDATED CROSS REF HEX'S
G		01/30/2017		ADDED INPUTS 04&05

EXCEPT AS NOTED
DECIMAL TOL. SHALL BE:
0 PLACE (FRACTIONS) ± .400 [1/64"]
1 PLACE ± .200 [0.010"]
2 PLACE ± .100 [0.005"]
3 PLACE ± .010 [0.0005"]
ALL DOWEL LOC± 0.010[0.0005"]
BETWEEN HOLES

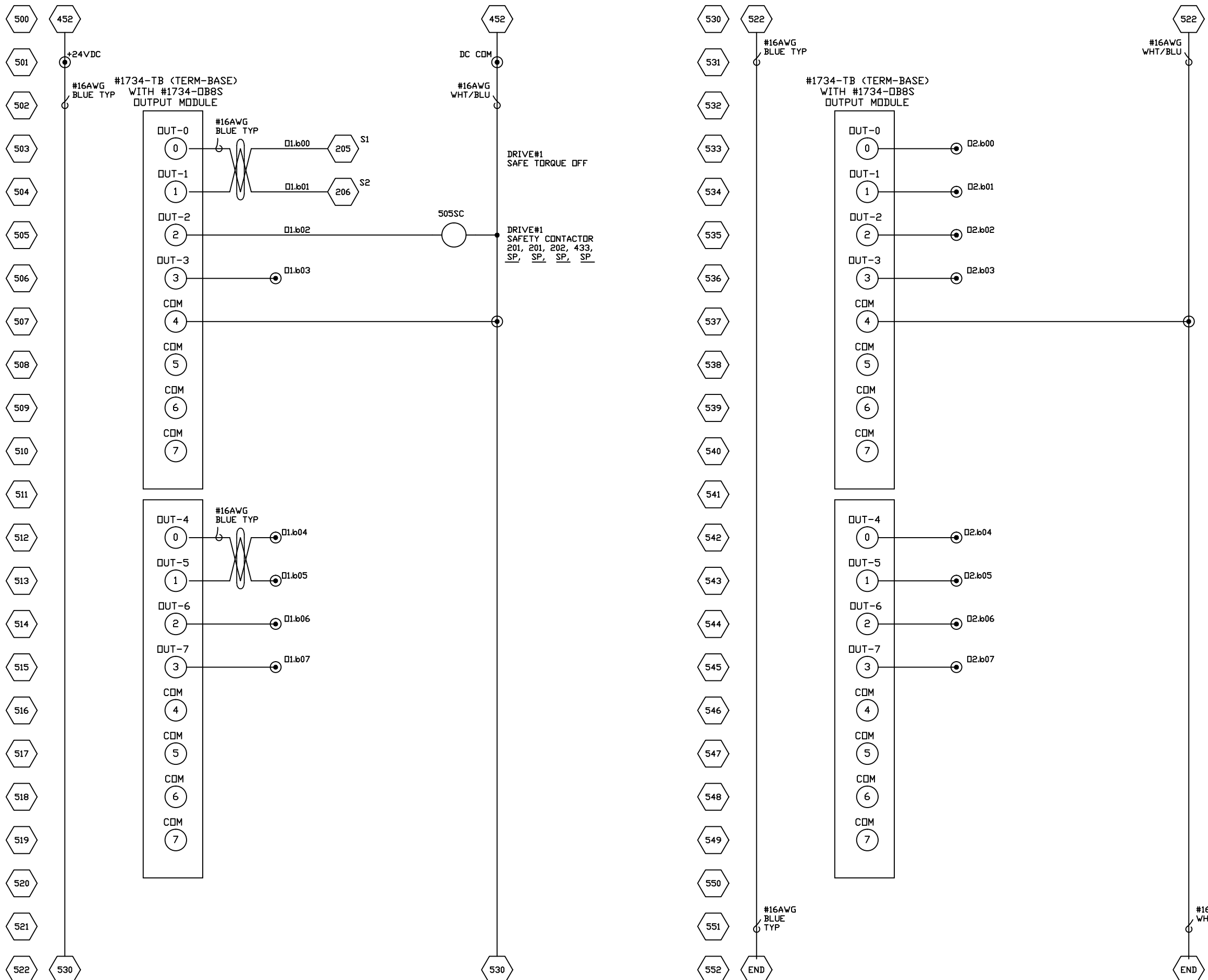
EXCEPT AS NOTED, MAXIMUM
ALLOWABLE ROUGHNESS SHALL BE:
1 PLACE FINISH 6 MICRONS (250 MICROINCHES)
2 PLACE FINISH 3 MICRONS (125 MICROINCHES)
3 PLACE FINISH 1.6 MICRONS (63 MICROINCHES)

WELKER BEARING COMPANY

TOOL NAME
POWERFLEX 525 PANEL BOX SINGLE - 3HP

DRAWN BY cmcw/ams	DATE 06-24-15	LAST EDIT BY cmcw/ams	ENG APPROVAL
SHEET 4	OF 6	FILE NAME	INS-SO2104 3HP SINGLE

SCALE



UNITS ARE MILLIMETERS
(i.e.X.XXmm [x.xxx"])
DO NOT SCALE DRAWING

EXCEPT AS NOTED
DECIMAL TOL. SHALL BE:
0 PLACE (FRACTIONS) ± .400 [1/64"]
1 PLACE ± .200 [0.010"]
2 PLACE ± .100 [0.005"]
3 PLACE ± .010 [0.0005"]
ALL DOWEL LOC ± 0.010 [0.0005"]
BETWEEN HOLES

EXCEPT AS NOTED, MAXIMUM
ALLOWABLE ROUGHNESS SHALL BE:
1 PLACE FINISH 6 MICRONS (250 MICROINCHES)
2 PLACE FINISH 3 MICRONS (125 MICROINCHES)
3 PLACE FINISH 1.6 MICRONS (63 MICROINCHES)

REV	REV BY	REV DATE	CHK BY	DESCRIPTION
E		2/19/2016		UPDATED CROSS REF HEX'S

WEKER BEARING COMPANY

TOOL NAME
POWERFLEX 525 PANEL BOX SINGLE - 3HP

DRAWN BY cmcwilliams	DATE 06-24-15	LAST EDIT BY cmcwilliams	ENG APPROVAL
SHEET 5	OF 6	FILE NAME	INS-SO2104 3HP SINGLE

SCALE

