

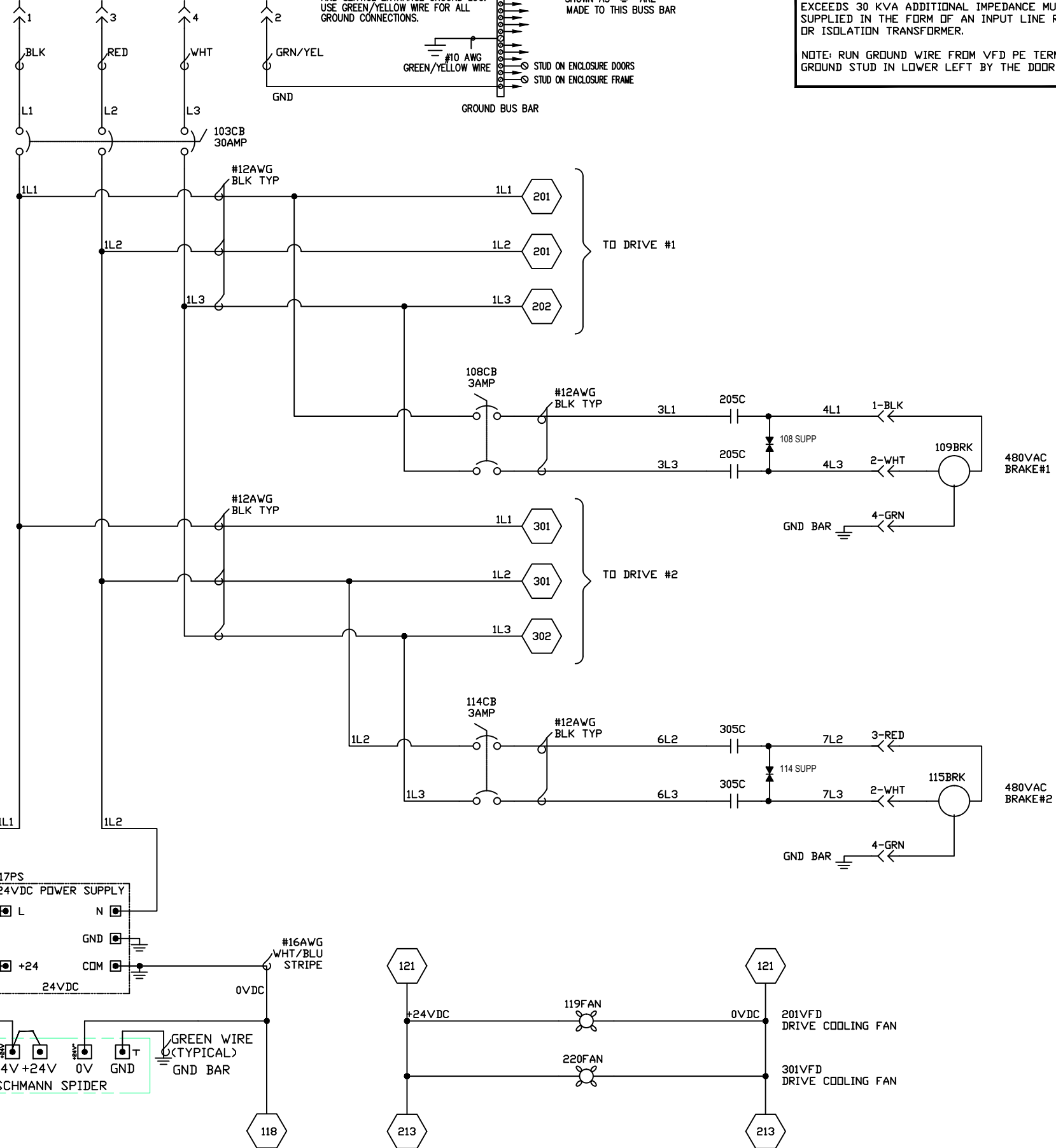
100  
101  
102  
103  
104  
105  
106  
107  
108  
109  
110  
111  
112  
113  
114  
115  
116  
117  
118  
119  
120  
121  
122

FROM CUSTOMER 480VAC, 3-PHASE, 60HZ WYE CONNECTED POWER DISTRIBUTION WITH SOLIDLY GROUNDED NEUTRAL.

NOTE: REMOVE PAINT FROM SUBPLATE AND SERVICE ENTRANCE GROUND LUG. USE GREEN/YELLOW WIRE FOR ALL GROUND CONNECTIONS.

NOTE: ALL CONNECTIONS SHOWN SHOWN AS  $\oplus$  ARE MADE TO THIS BUSS BAR

NOTE: IF THE USER SUPPLIED INPUT POWER DISTRIBUTION EXCEEDS 30 KVA ADDITIONAL IMPEDANCE MUST BE SUPPLIED IN THE FORM OF AN INPUT LINE REACTOR OR ISOLATION TRANSFORMER.  
NOTE: RUN GROUND WIRE FROM VFD PE TERMINAL TO CABINET GROUND STUD IN LOWER LEFT BY THE DOOR HINGE.



UNITS ARE MILLIMETERS  
(i.e.X.XXmm [x.xxx"])  
DO NOT SCALE DRAWING

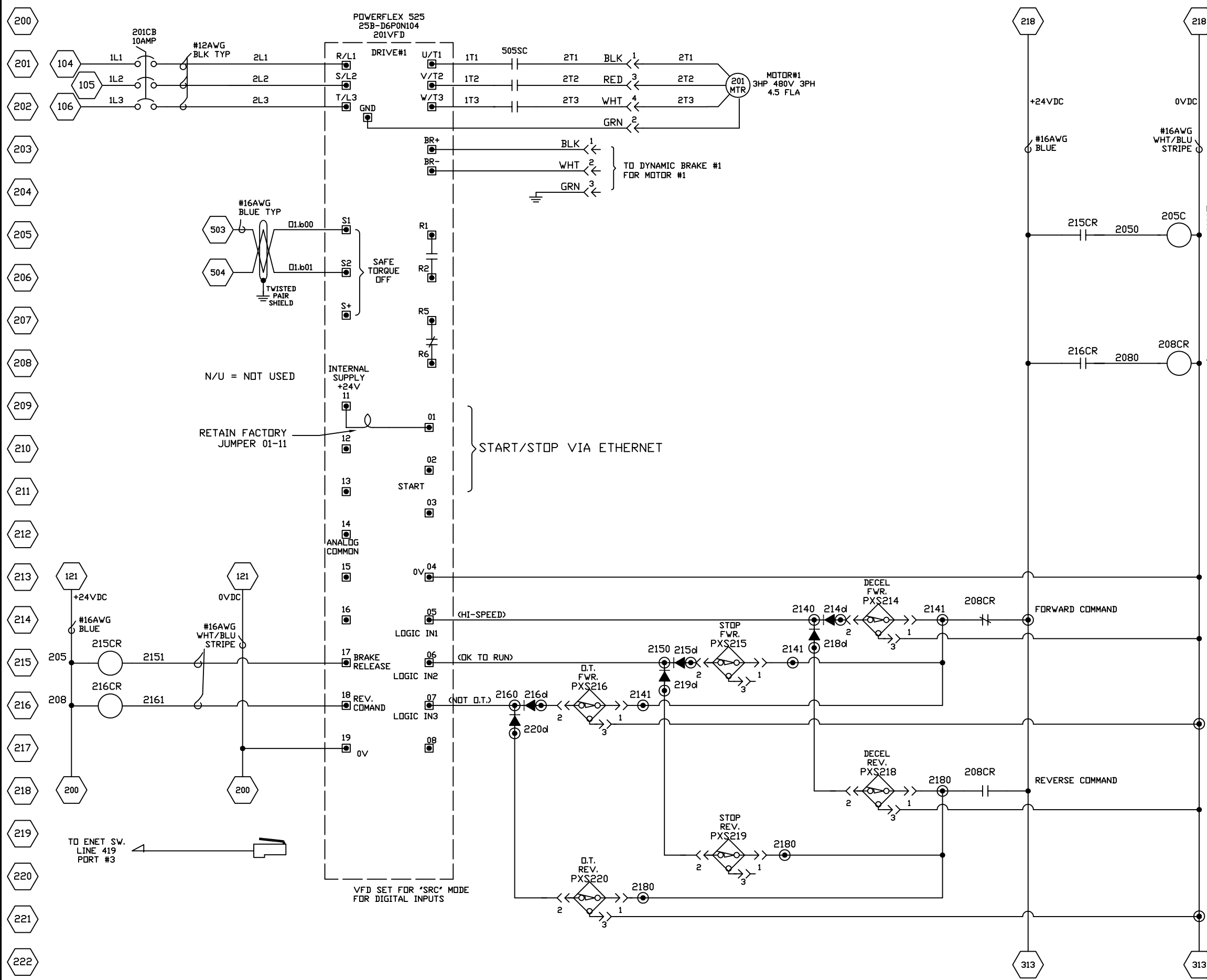


REV	REV BY	REV DATE	CHK BY	DESCRIPTION
B		8/13/2015		FIXED LINE REF #S TO SHEET 2
C		9/28/2015		ADDED 108SUPP & 114SUPP TO THIS SHEET

EXCEPT AS NOTED  
DECIMAL TOL. SHALL BE:  
0 PLACE (FRACTIONS)  $\pm .400$  [1/64"]  
1 PLACE  $\pm .200$  [0.010"]  
2 PLACE  $\pm .100$  [0.005"]  
3 PLACE  $\pm .010$  [0.0005"]  
ALL DOWEL LOC  $\pm 0.010$  [0.0005"]  
BETWEEN HOLES

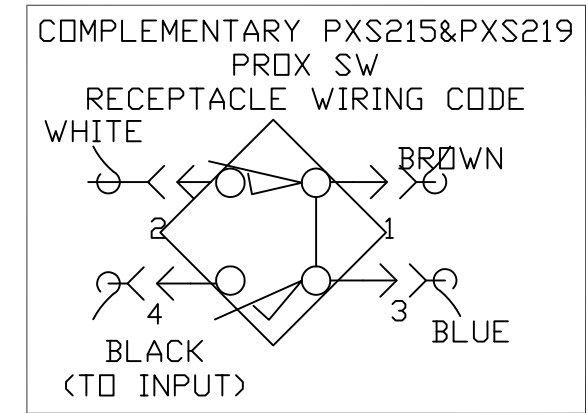
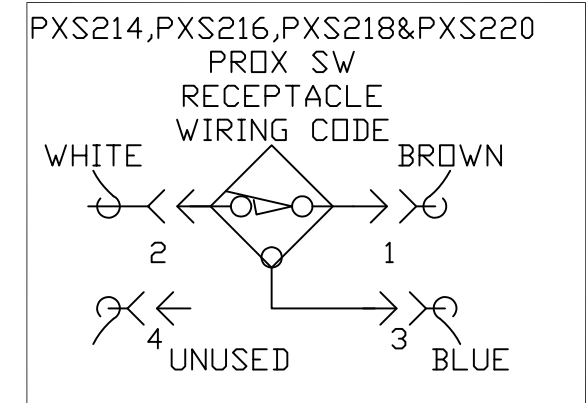
EXCEPT AS NOTED, MAXIMUM  
ALLOWABLE ROUGHNESS SHALL BE:  
1 PLACE FINISH 6 MICRONS (250 MICROINCHES)  
2 PLACE FINISH 3 MICRONS (125 MICROINCHES)  
3 PLACE FINISH 1.6 MICRONS (63 MICROINCHES)

TOOL NAME POWERFLEX 525 PANEL BOX DOUBLE - 3HP			
DRAWN BY cmcwilliams	DATE 06-24-15	LAST EDIT BY cmcwilliams	ENG APPROVAL
SHEET 1	OF 6	FILE NAME	INS-SO2105 3HP DOUBLE
SCALE			



TO DRIVE  
 TO PXS 214d → ○ 2140  
 PINS 218d → ○ 2140  
**JUMPER**  
 1492SJ5B10

**DIODE TERMINALS  
 POLARITY MUST BE  
 AS SHOWN**



UNITS ARE MILLIMETERS  
 (i.e.X.XXmm [x.xxx"])  
 DO NOT SCALE DRAWING

REV	REV BY	REV DATE	CHK BY	DESCRIPTION	REV	REV BY	REV DATE	CHK BY	DESCRIPTION
B		8/13/2015		ADDED 215CR & 216CR CIRCUITS	D		10/26/2015		CHGD 208 FWR TO REV COMAND & CONTACTS ON 214,218
C		9/28/2015		REMOVED TERMINALS 2T1,2T2,2T3	E		4-26-2016		ADDED WIRE#S 2151,2161, & DIODE INSIDE TERMS
G		01/30/2017		ADDED COMP.PXSs					

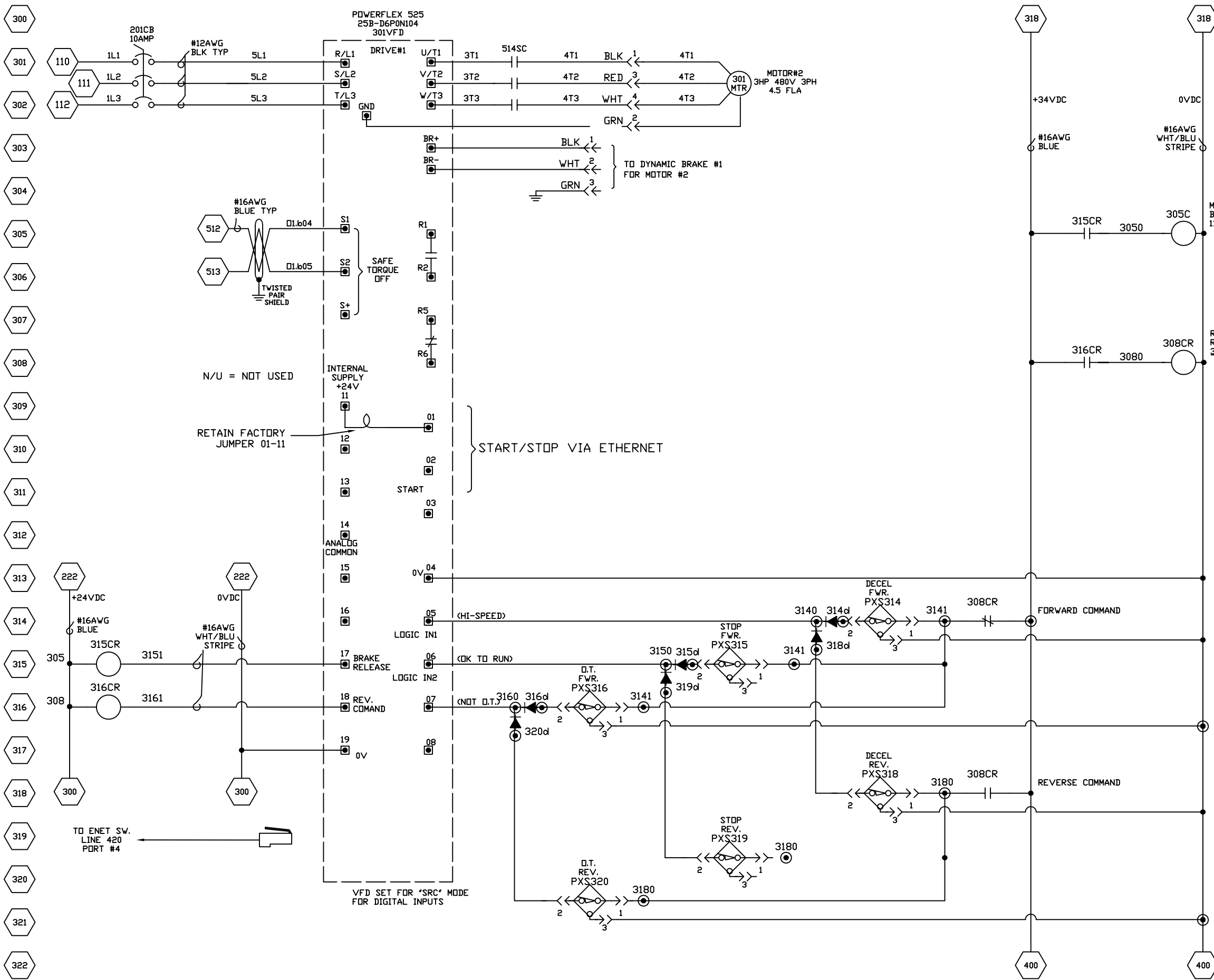
EXCEPT AS NOTED  
 DECIMAL TOL. SHALL BE:  
 0 PLACE (FRACTIONS) ± .400 [1/64"]  
 1 PLACE ± .200 [0.010"]  
 2 PLACE ± .100 [0.005"]  
 3 PLACE ± .010 [0.0005"]  
 ALL DOWEL LOC± 0.010[.0005"]  
 BETWEEN HOLES

EXCEPT AS NOTED, MAXIMUM  
 ALLOWABLE ROUGHNESS SHALL BE:  
 1 PLACE FINISH 6 MICRONS (250 MICROINCHES)  
 2 PLACE FINISH 3 MICRONS (125 MICROINCHES)  
 3 PLACE FINISH 1.6 MICRONS (63 MICROINCHES)

**WALKER BEARING COMPANY**

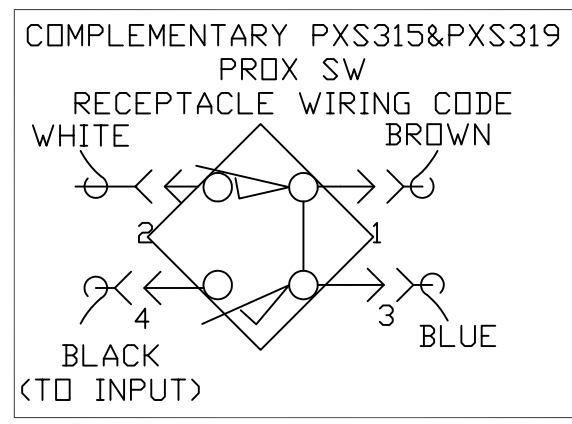
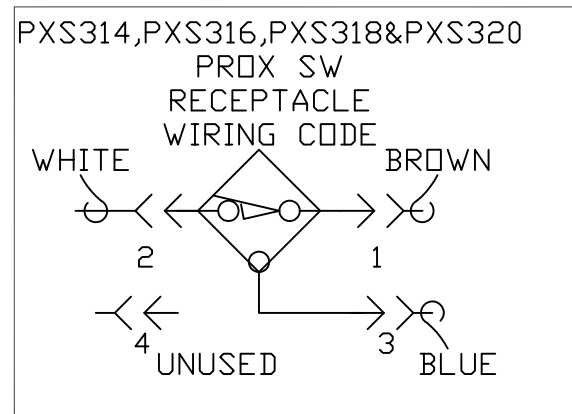
TOOL NAME  
**POWERFLEX 525 PANEL BOX DOUBLE - 3HP**

DRAWN BY cmwll/ams	DATE 06-24-15	LAST EDIT BY cmwll/ams	ENG APPROVAL
SHEET 2	OF 6	FILE NAME	INS-S02105 3HP DOUBLE
SCALE			



TO DRIVE  
 TO PXS314d  
 PINS 318d  
 TO PXS314d  
 PINS 318d  
**JUMPER**  
 1492SJ5B10

**DIODE TERMINALS  
 POLARITY MUST BE  
 AS SHOWN**



UNITS ARE MILLIMETERS  
 (i.e.X.XXmm [x.xxx"])  
 DO NOT SCALE DRAWING

**WELKER**  
 BEARING COMPANY

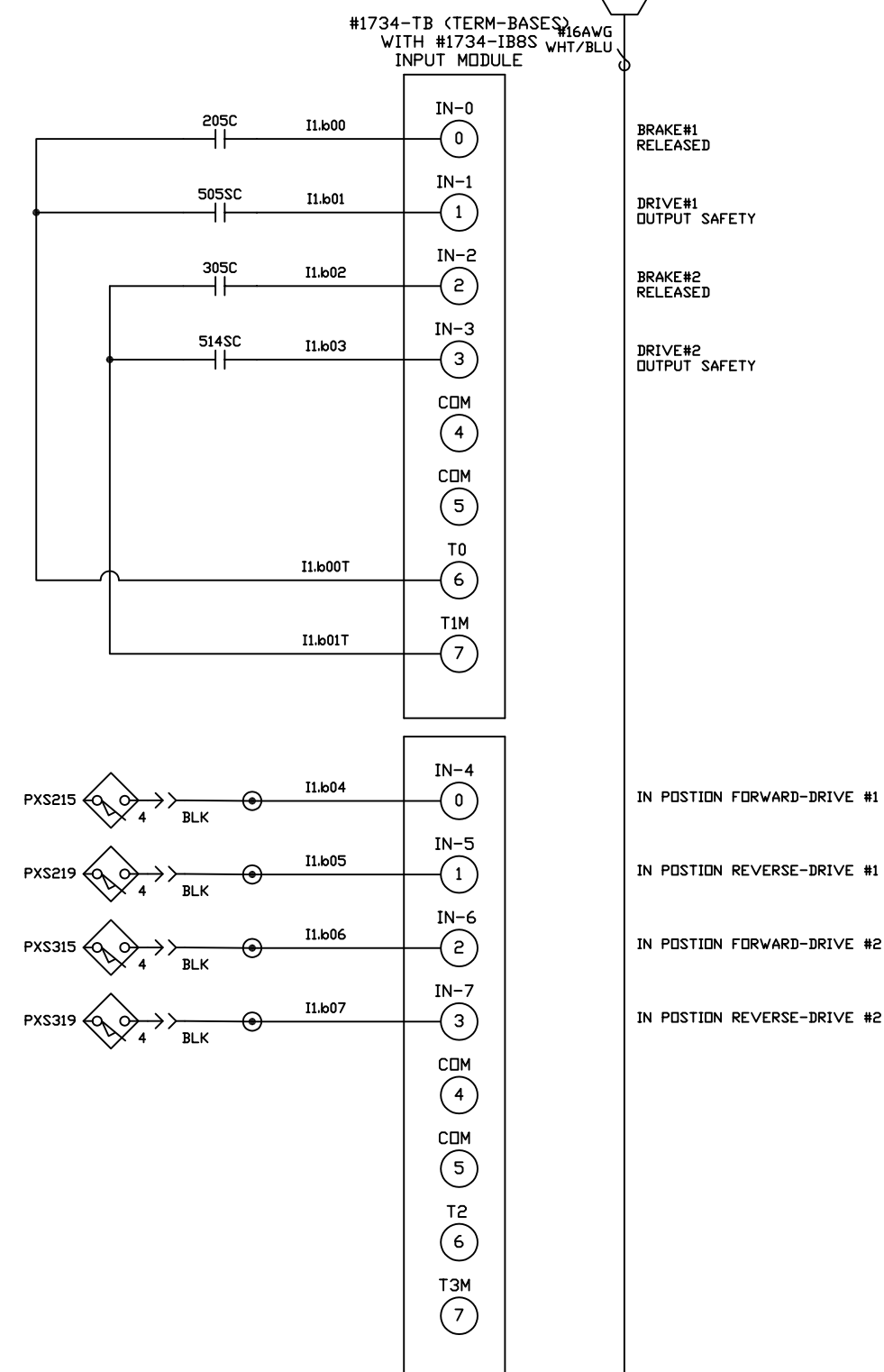
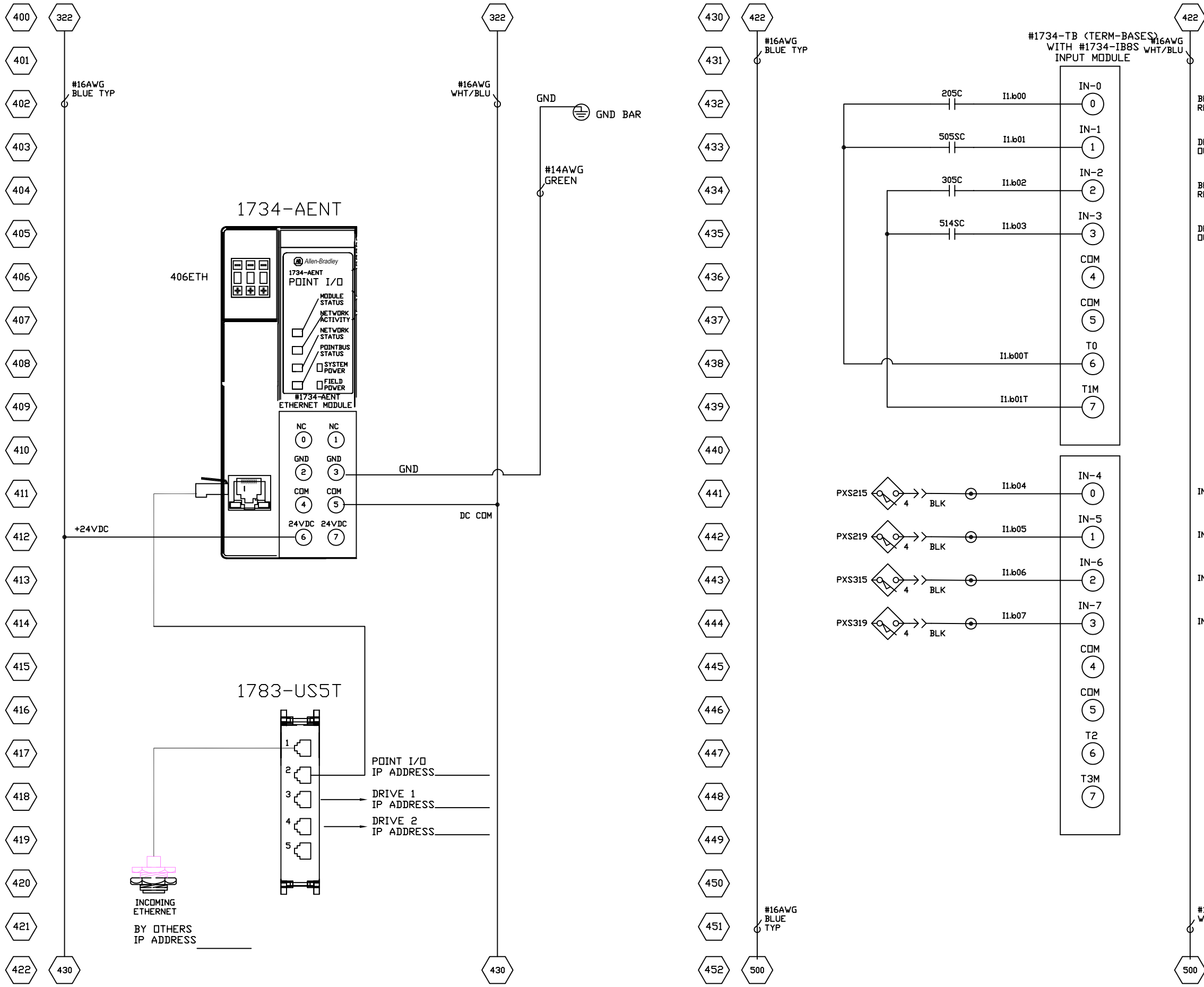
TOOL NAME  
**POWERFLEX 525 PANEL BOX DOUBLE - 3HP**

DRAWN BY cmw/llams	DATE 06-24-15	LAST EDIT BY cmw/llams	ENG APPROVAL
SHEET 3	OF 6	FILE NAME	INS-SO2105 3HP DOUBLE
SCALE			

REV	REV BY	REV DATE	CHK BY	DESCRIPTION	REV	REV BY	REV DATE	CHK BY	DESCRIPTION
B		8/13/2015		ADDED 315CR & 316CR CIRCUITS	D		10/26/2015		CHGD 308 FWR TO REV COMAND & CONTACTS ON 314,318
C		9/28/2015		REMOVED TERMINALS 4T1,4T2,4T3	E		4-26-2016		ADDED WIRE#S 3151,3161, & DIODE INSIDE TERMS
G		01/30/2017		ADDED COMP.PXSs					

EXCEPT AS NOTED  
 DECIMAL TOL. SHALL BE:  
 0 PLACE (FRACTIONS) ± .400 [1/64"]  
 1 PLACE ± .200 [0.010"]  
 2 PLACE ± .100 [0.005"]  
 3 PLACE ± .010 [0.0005"]  
 ALL DOWEL LOC± 0.010[0.0005"]  
 BETWEEN HOLES

EXCEPT AS NOTED, MAXIMUM  
 ALLOWABLE ROUGHNESS SHALL BE:  
 1 PLACE FINISH 6 MICRONS (250 MICROINCHES)  
 2 PLACE FINISH 3 MICRONS (125 MICROINCHES)  
 3 PLACE FINISH 1.6 MICRONS (63 MICROINCHES)



422

#16AWG WHT/BLU

BRAKE#1 RELEASED

DRIVE#1 OUTPUT SAFETY

BRAKE#2 RELEASED

DRIVE#2 OUTPUT SAFETY

IN POSITION FORWARD-DRIVE #1

IN POSITION REVERSE-DRIVE #1

IN POSITION FORWARD-DRIVE #2

IN POSITION REVERSE-DRIVE #2

UNITS ARE MILLIMETERS  
(i.e.X.XXmm [x.xxx"])  
DO NOT SCALE DRAWING

REV	REV BY	REV DATE	CHK BY	DESCRIPTION
E		2/19/2016		UPDATED CROSS REF HEX'S
G		01/30/2017		ADDED INPUTS 04-07

EXCEPT AS NOTED  
DECIMAL TOL. SHALL BE:  
0 PLACE (FRACTIONS) ± .400 [1/64"]  
1 PLACE ± .200 [0.010"]  
2 PLACE ± .100 [0.005"]  
3 PLACE ± .010 [0.0005"]  
ALL DOWEL LOC± 0.010[.0005"]  
BETWEEN HOLES

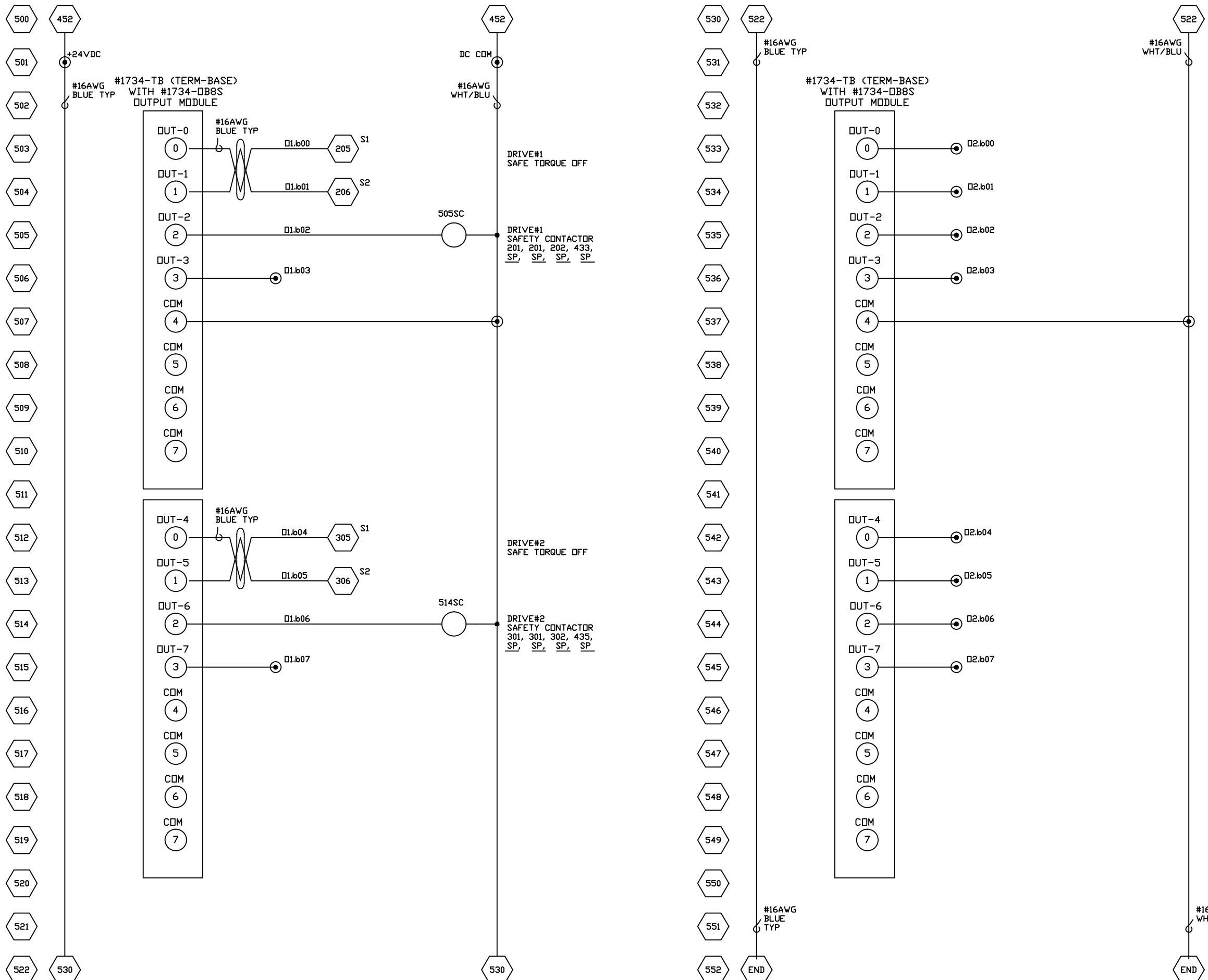
EXCEPT AS NOTED, MAXIMUM  
ALLOWABLE ROUGHNESS SHALL BE:  
1 PLACE FINISH 6 MICRONS (250 MICROINCHES)  
2 PLACE FINISH 3 MICRONS (125 MICROINCHES)  
3 PLACE FINISH 1.6 MICRONS (63 MICROINCHES)

**WELKER BEARING COMPANY**

TOOL NAME  
**POWERFLEX 525 PANEL BOX DOUBLE - 3HP**

DRAWN BY cmcwllams	DATE 06-24-15	LAST EDIT BY cmcwllams	ENG APPROVAL
SHEET 4	OF 6	FILE NAME	INS-SO2105 3HP DOUBLE

SCALE



UNITS ARE MILLIMETERS  
(i.e.X.XXmm [x.xxx"])  
DO NOT SCALE DRAWING

EXCEPT AS NOTED  
DECIMAL TOL. SHALL BE:  
0 PLACE (FRACTIONS) ± .400 [1/64"]  
1 PLACE ± .200 [0.010"]  
2 PLACE ± .100 [0.005"]  
3 PLACE ± .010 [0.0005"]  
ALL DOWEL LOC± 0.010[.0005"]  
BETWEEN HOLES

EXCEPT AS NOTED, MAXIMUM  
ALLOWABLE ROUGHNESS SHALL BE:  
1 PLACE FINISH 6 MICRONS (250 MICROINCHES)  
2 PLACE FINISH 3 MICRONS (125 MICROINCHES)  
3 PLACE FINISH 1.6 MICRONS (63 MICROINCHES)

REV	REV BY	REV DATE	CHK BY	DESCRIPTION
E		2/19/2016		UPDATED CROSS REF HEX'S

**WEKER BEARING COMPANY**

TOOL NAME  
POWERFLEX 525 PANEL BOX DOUBLE - 3HP

DRAWN BY cmwilliams	DATE 06-24-15	LAST EDIT BY cmwilliams	ENG APPROVAL
SHEET 5	OF 6	FILE NAME	INS-SO2105 3HP DOUBLE

SCALE

3-BRADY TAGS MOUNTED ON DOOR  
FRONT NEAR DISCONNECT SWITCH

BRADY 101950 STICKER

**WARNING**

Arc Flash And Shock Hazard  
Appropriate PPE Required

Do not operate controls or open covers  
without appropriate personal protection  
equipment.  
Failure to comply may result in injury or  
death!

Refer to NFPA 70E for minimum PPE requirements.

WHITE LETTERS ON RED BACKGROUND  
BRADY Y1200559 STICKER

**WARNING**

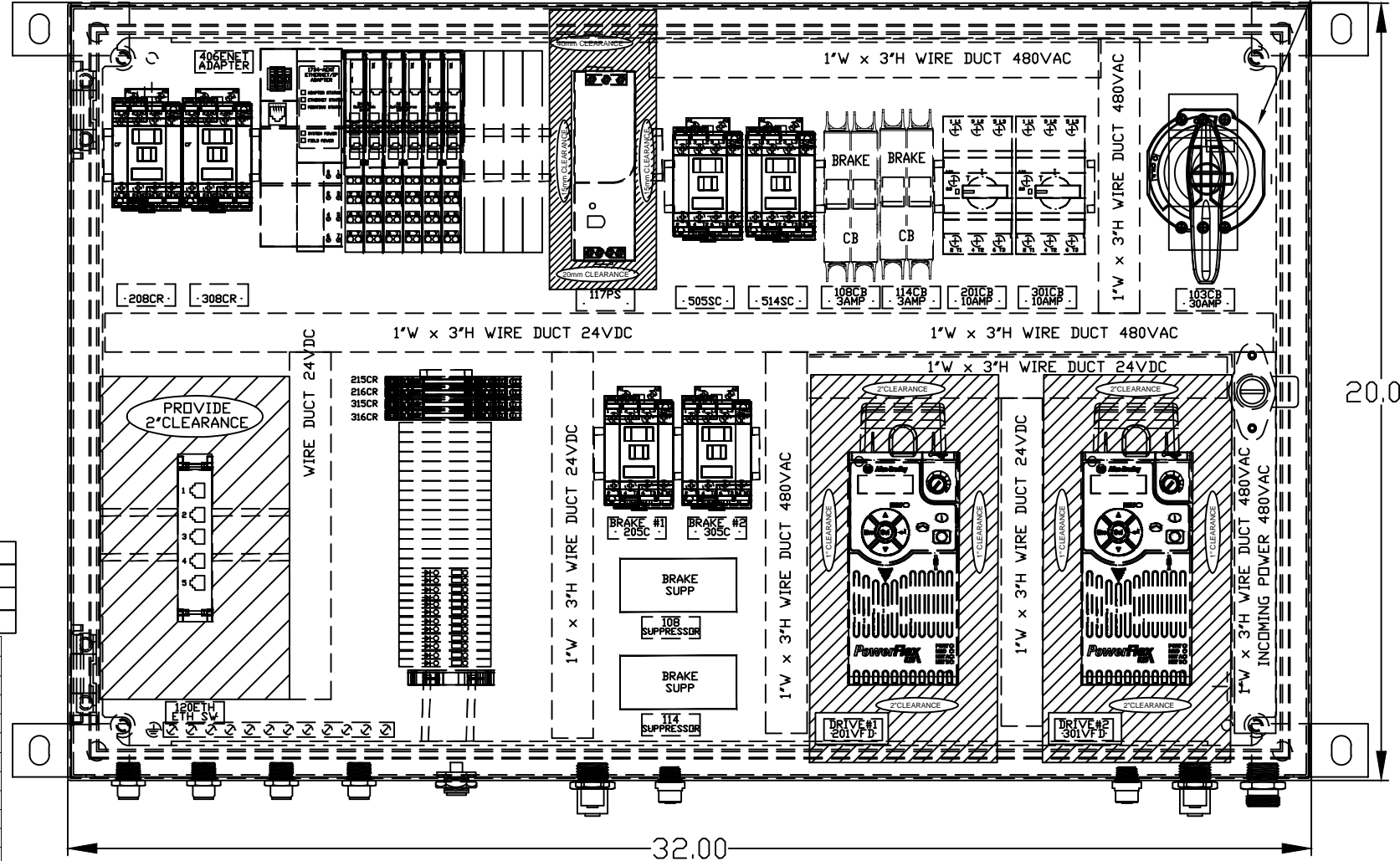
DISCONNECT POWER  
BEFORE WORKING  
WITHIN

WHITE LETTERS ON RED BACKGROUND  
BRADY Y1200590 STICKER

**DANGER**

480 VAC

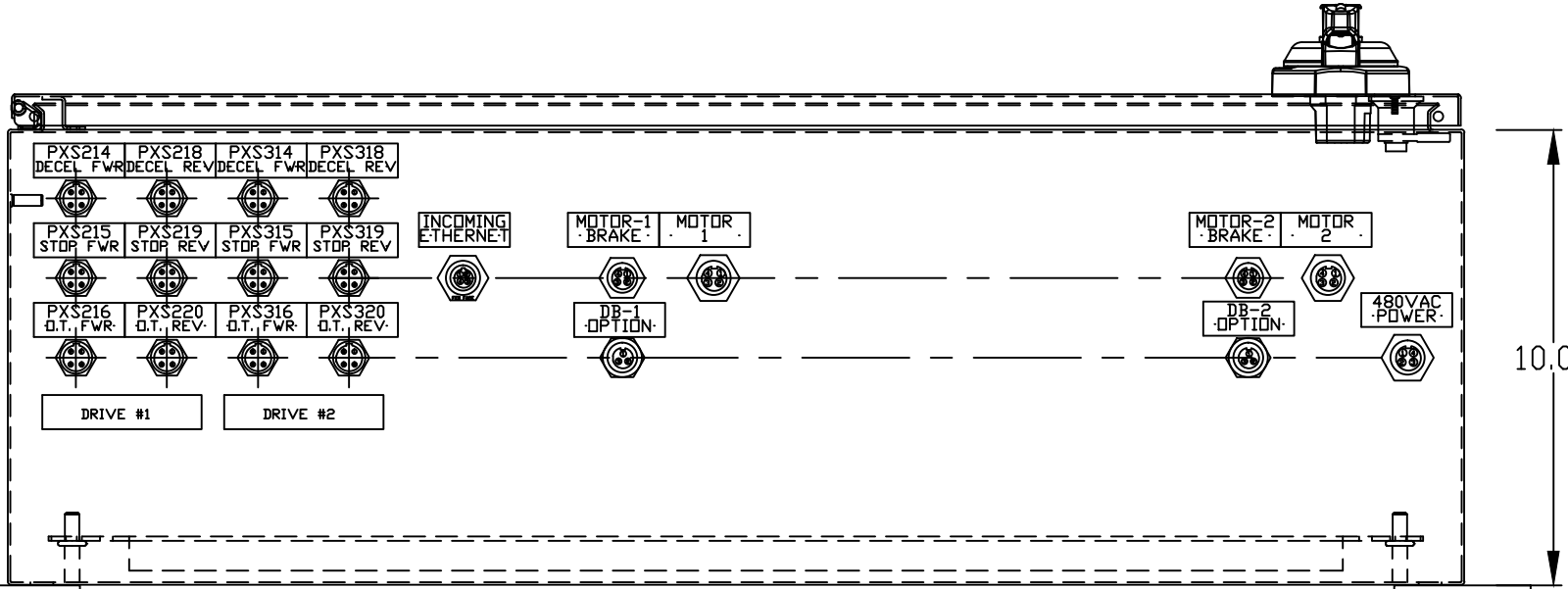
LOCKABLE  
DISCONNECT



215CR	
216CR	
315CR	
316CR	
+24VDC	OVDC
+24VDC	OVDC
+24VDC	OVDC
2180	2141
2180	2141
3180	3141
3180	3141
11.B04	O2.B00
11.B05	O2.B01
11.B06	O2.B02
11.B07	O2.B03
	O2.B04
	O2.B05
O1.B03	O2.B06
O1.B07	O2.B07
214d	2140
218d	2140
215d	2150
219d	2150
216d	2160
220d	2160
314d	3140
318d	3140
315d	3150
319d	3150
316d	3160
320d	3160

(15) DOUBLE STACK TERMS  
TOP BOTTOM  
LEVEL LEVEL

(12) DIODE TERMINALS  
MARKERS EACH SIDE  
AS SHOWN



**VFD PARAMETER LISTING**

DRIVE NUMBER	PARAMETER NUMBER	PARAMETER NAME	NEW (NON-DEFAULT) VALUE	DATE	INITIALS

SHOP TO APPLY THIS LIST TO INSIDE OF DOOR

REV	REV BY	REV DATE	CHK BY	DESCRIPTION
A	JL	7/28/2015	CLE	REV'D VFD POSITION WAS HORIZONTAL TO VERTICAL
B	JL	8/13/2015	CLE	ADDED 215CR, 216CR & 315CR, 316CR TO TERMINAL STRIP

REV	REV BY	REV DATE	CHK BY	DESCRIPTION
C	JL	9/28/2015	CLE	ADDED SUPPRESSOR, & REVISED LAYOUT
E	JL	4-26-2016		REVO TERMINAL STRIP ADD DIODE TERMS

EXCEPT AS NOTED  
DECIMAL TOL. SHALL BE:  
0 PLACE (FRACTIONS) ± .400 [1/64"]  
1 PLACE ± .200 [0.010"]  
2 PLACE ± .100 [0.005"]  
3 PLACE ± .010 [0.0005"]  
ALL DOWEL LOC ± 0.010 [0.0005"]  
BETWEEN HOLES

EXCEPT AS NOTED, MAXIMUM  
ALLOWABLE ROUGHNESS SHALL BE:  
1 PLACE FINISH 6 MICRONS (250 MICROINCHES)  
2 PLACE FINISH 3 MICRONS (125 MICROINCHES)  
3 PLACE FINISH 1.6 MICRONS (63 MICROINCHES)

**WEKER BEARING COMPANY**

TOOL NAME  
**POWERFLEX 525 PANEL BOX DOUBLE - 3HP**

DRAWN BY	DATE	LAST EDIT BY	ENG APPROVAL
cmwilliams	06-24-15	cmwilliams	

SHEET 6 OF 6  
FILE NAME  
SO2105 3HP DOUBLE  
SCALE