
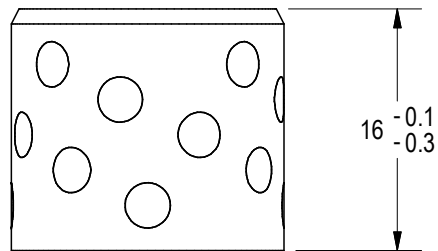
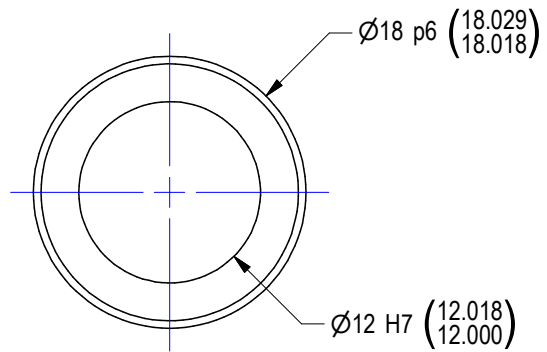


BLADE TOLERANCE:  
 $\varnothing 18\ H7$  (18.018/18.000)

PIN TOLERANCE  
 $\varnothing 12\ g6$  (11.994/11.983)

MATL:  
 C86300 BRONZE ALLOY  
 w/ SOLID LUBRICANT PLUGS


			
TOOL NAME			
SELF LUBE CLAMP PIVOT BEARING			
TEMPLATE			
DRAWN BY	DATE	CHK'D BY	ENG APPROVAL
GSK	5/8/2008	DK	
SCALE	NONE	FILE NAME	S01115012018019

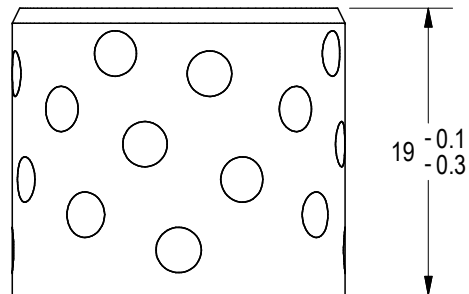
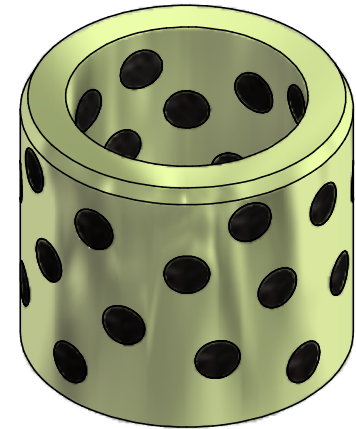
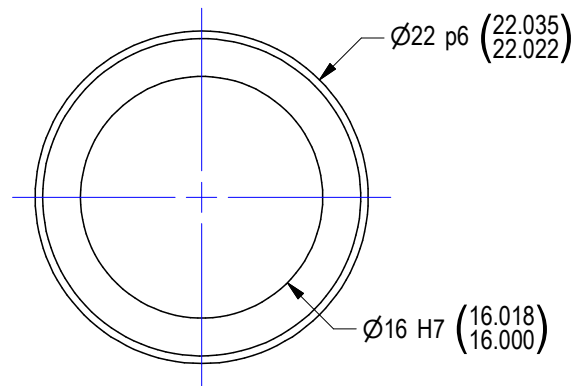


BLADE TOLERANCE:  
 $\varnothing 18$  H7 (18.018/18.000)

PIN TOLERANCE  
 $\varnothing 12$  g6 (11.994/11.983)

MATL:  
 C86300 BRONZE ALLOY  
 w/ SOLID LUBRICANT PLUGS

			
TOOL NAME			
SELF LUBE CLAMP PIVOT BEARING			
TEMPLATE			
DRAWN BY	DATE	CHK'D BY	ENG APPROVAL
GSK	5/8/2008	DK	
SCALE	NONE	FILE NAME	S01115012018016



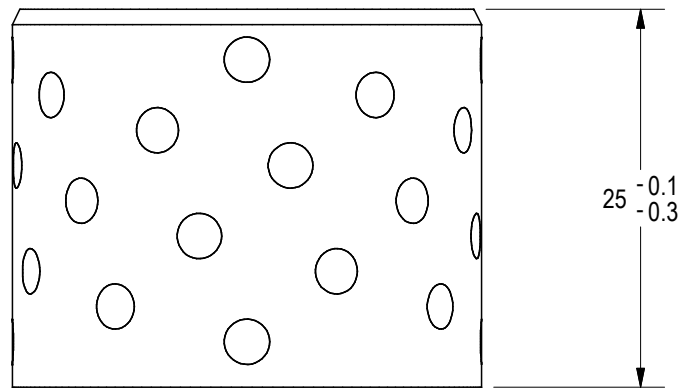
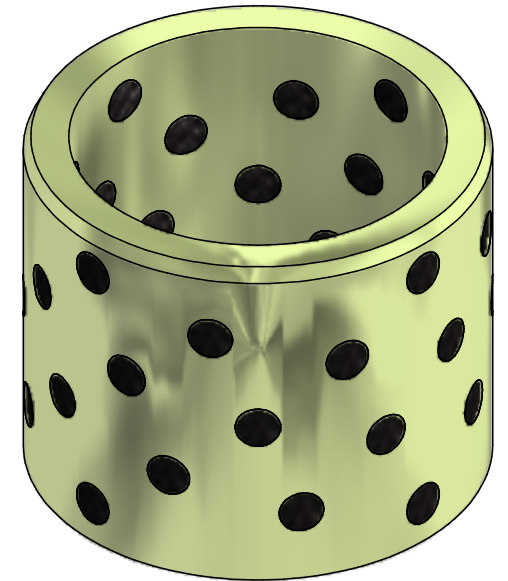
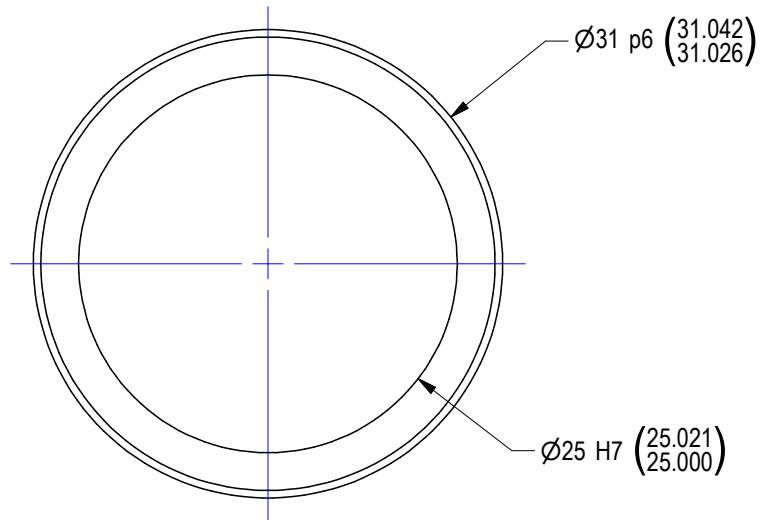
BLADE HOLE TOLERANCE:  
 $\varnothing 22$  H7 (22.021/22.000)

PIN BORE TOLERANCE  
 $\varnothing 16$  g6 (15.994/15.983)

USED FOR COMMON BORE 4.0  
 CLAMP PIVOT WITHOUT  
 THRUST WASHERS

MATL:  
 C86300 BRONZE ALLOY  
 w/ SOLID LUBRICANT PLUGS

<b>WEKER</b> BEARING COMPANY			
TOOL NAME			
SELF LUBE CLAMP PIVOT BEARING			
TEMPLATE			
DRAWN BY	DATE	CHK'D BY	ENG
RBC	11/24/2014	GSK	APPROVAL
SCALE	NONE	FILE NAME	S01115016022019



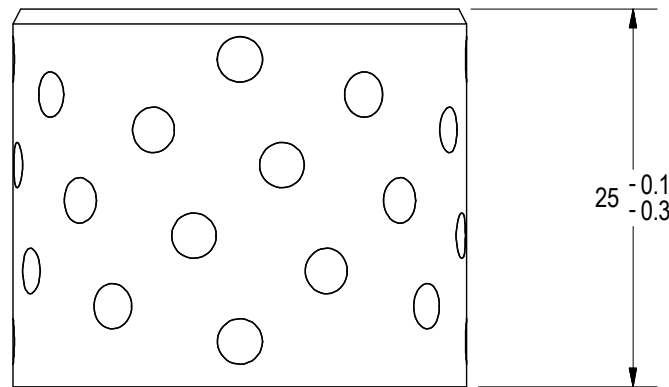
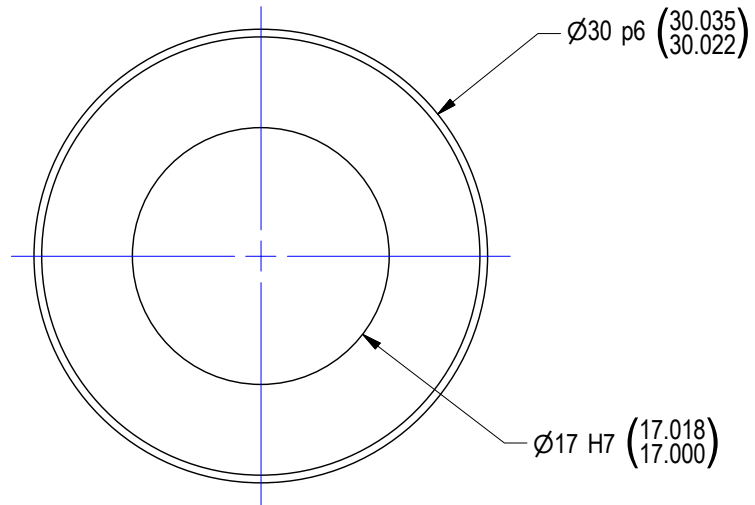
BLADE HOLE TOLERANCE:  
 $\text{Ø}31 \text{ H7 } (31.025/31.000)$

PIN BORE TOLERANCE  
 $\text{Ø}25 \text{ g6 } (24.993/24.980)$

USED FOR COMMON BOE 4.0  
 CLAMP PIVOT WITHOUT  
 THRUST WASHERS

MATL:  
 C86300 BRONZE ALLOY  
 w/ SOLID LUBRICANT PLUGS

<b>WEKER</b> BEARING COMPANY			
TOOL NAME			
SELF LUBE CLAMP PIVOT BEARING			
TEMPLATE			
DRAWN BY	DATE	CHK'D BY	ENG
RBC	4/24/2015	DJH	APPROVAL
SCALE	NONE	FILE	NAME
		S01115025031025	



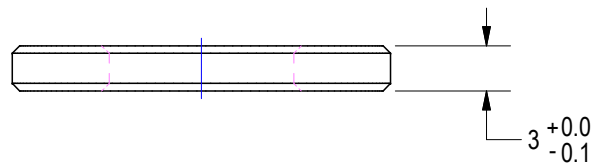
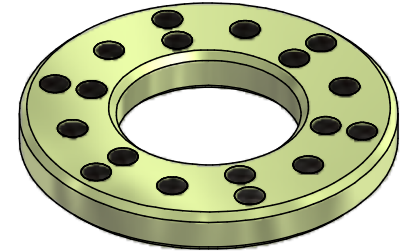
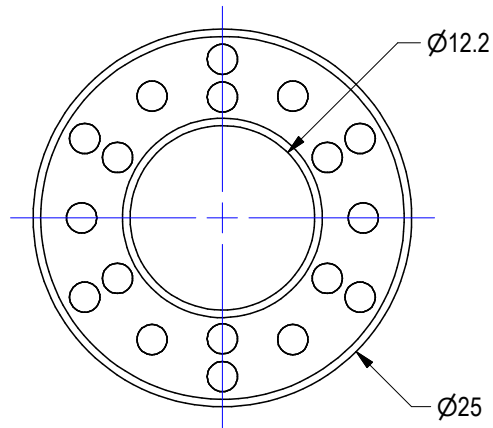
BLADE HOLE TOLERANCE:  
 $\varnothing 30$  H7 (30.021/30.000)

PIN BORE TOLERANCE  
 $\varnothing 17$  g6 (16.994/16.983)

USED FOR COMMON BOE 4.0  
 CLAMP PIVOT WITHOUT  
 THRUST WASHERS

MATL:  
 C86300 BRONZE ALLOY  
 w/ SOLID LUBRICANT PLUGS

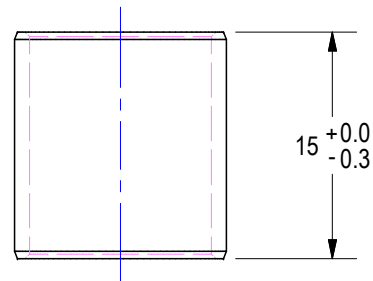
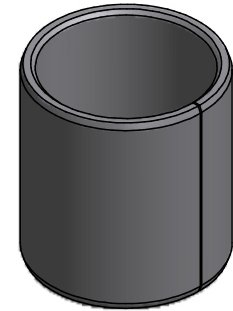
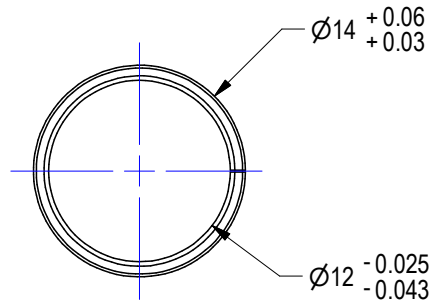
<b>WEKER</b> BEARING COMPANY			
TOOL NAME SELF LUBE CLAMP PIVOT BEARING			
TEMPLATE			
DRAWN BY RBC	DATE 6/4/2015	CHK'D BY DJH	ENG APPROVAL
SCALE NONE	FILE NAME S01115017030025		



USED FOR BOE 4.0 CLAMP  
PIVOT WHEN CLAMP IS ON  
AN ANGLE GREATER OR  
EQUAL TO 45°

MATL:  
C86300 BRONZE ALLOY  
w/ SOLID LUBRICANT PLUGS

<b>WEKER</b> BEARING COMPANY			
TOOL NAME			
SELF LUBE THRUST BEARING TEMPLATE			
DRAWN BY GSK	DATE 9/17/2008	CHK'D BY DK	ENG APPROVAL
SCALE NONE	FILE NAME S01148012025003		



HOUSING BORE TOLERANCE:  
 $\varnothing 14 \text{ H7 (14.018/14.000)}$

USED FOR BOE 4.0 CLAMP  
 CYLINDER CLEVIS

MATL:  
 SINTERED BRONZE  
 PTFE & LEAD LINED BEARING



TOOL NAME			
CYLINDER CLEVIS DRY BEARING			
TEMPLATE			
DRAWN BY GSK	DATE 9/17/2008	CHK'D BY DK	ENG APPROVAL
SCALE NONE	FILE NAME S01149012014015		