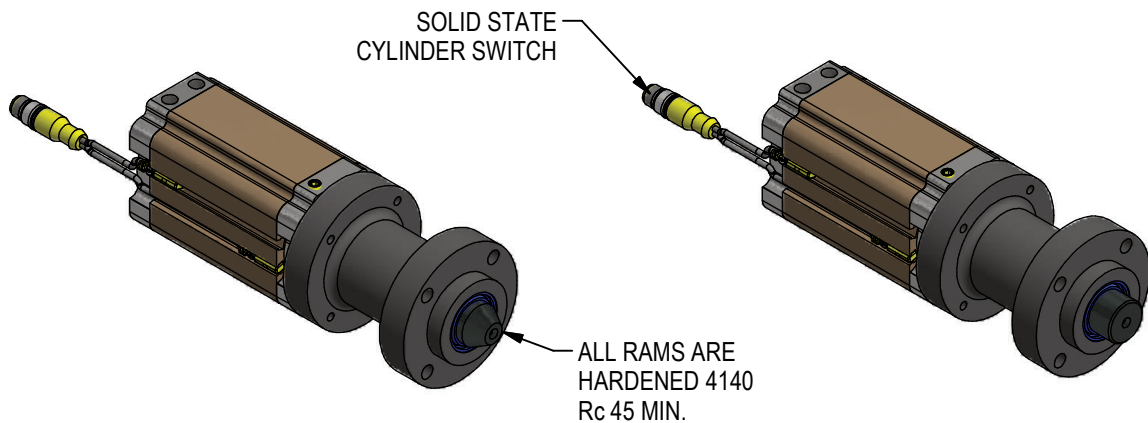


BP2 LOCKOUT PIN



CONICAL NOSE OPTION SHOWN FOR LOCKOUT AND LOCATIONAL APPLICATIONS

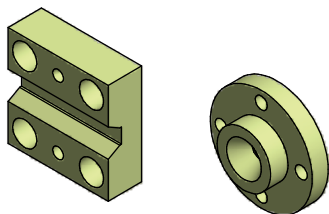
FLAT NOSE OPTION SHOWN FOR LOCKOUT APPLICATIONS

LOCKOUT PIN FEATURES

- PNEUMATIC, DOUBLE ACTING RETRACTABLE PIN
- OPTIONAL SPRING EXTEND (AIR LOSS TRIGGERS MECHANICAL SPRING EXTENSION)
- PNEUMATIC 50MM BORE INTEGRATED CYLINDER
- 2500 LBF LOCKOUT LOAD CAPACITY

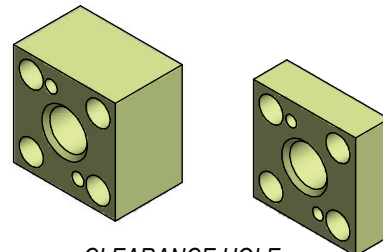
LOCKOUT APPLICATIONS

- TURNTABLES
- TRUNNION FIXTURES
- TURN-OVER UNITS
- LIFTERS & SLIDES
- SAFETY COMPLIANCE



2-WAY & 4-WAY

LOCKOUT RECEIVERS
ORDERED SEPARATELY
SEE SHEETS 4 & 5



CLEARANCE HOLE

RELEASED 1/15/21

ORDERING INFORMATION

NOTE: ALL BOXES MUST BE FILLED IN FOR A COMPLETE PART NUMBER

B	P	2	N			X						
---	---	---	---	--	--	---	--	--	--	--	--	--

Stroke _____

- 025** 25mm Stroke
- 050** 50mm Stroke

Cylinder _____

- 01** Welker 50mm Bore w/ NPT ports
- 02** Welker 50mm Bore w/ G ports

Pin Nose _____

- 1** Conical
- 2** Flat

Spring Extend _____

- 0** No spring
- E** Spring Extend

Switch _____

- 00** No switch
- LX** See Welker Cylinder Switch Chart

Bearing _____

- S** Standard
- H** Maintenance free, PTFE composite lined

SPRING EXTEND OPTION "E": SPRING FORCE	
STROKE	ACTUATOR 01/02
25mm STROKE EXTENDED	30 LBF
50mm STROKE EXTENDED	20 LBF
FULLY RETRACTED	40 LBF

	Switch Option	Part Number	Manufacturer	Description
Cylinder Switches	L3	SWITCH L3* L3 sw itch is w eld field immune, comparable to World Sw itches. Dual sensor sw itch, 1 per cylinder	Welker	4-Wire, 4-Pin, DC (PNP) M12 X 1 Quick Disconnect
	L5	MK5113 Single sensor sw itch, 2 sw itches are installed per cylinder	ifm Efeetor	3-Wire, 4-Pin, DC (NPN) M12 X 1 Quick Disconnect

Standard Switch Option - All other options may affect price and delivery

*Note that some mid and low frequency DC resistance applications (i.e. aluminum resistance welding applications) may cause a fault. In these applications, it is recommended that the sensor be ignored/bypassed during the welding cycle.

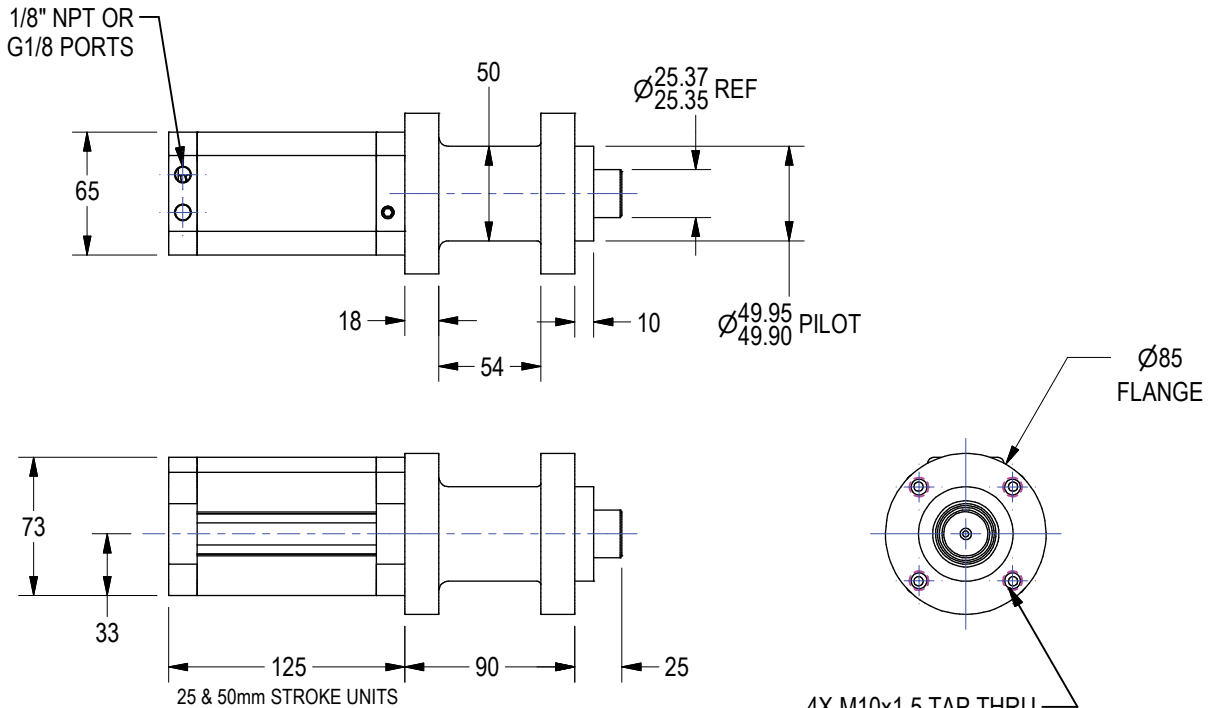
LOCKOUT RECEIVERS

ORDERED SEPARATELY
SEE SHEETS 4 & 5

(DO NOT SCALE DRAWING)

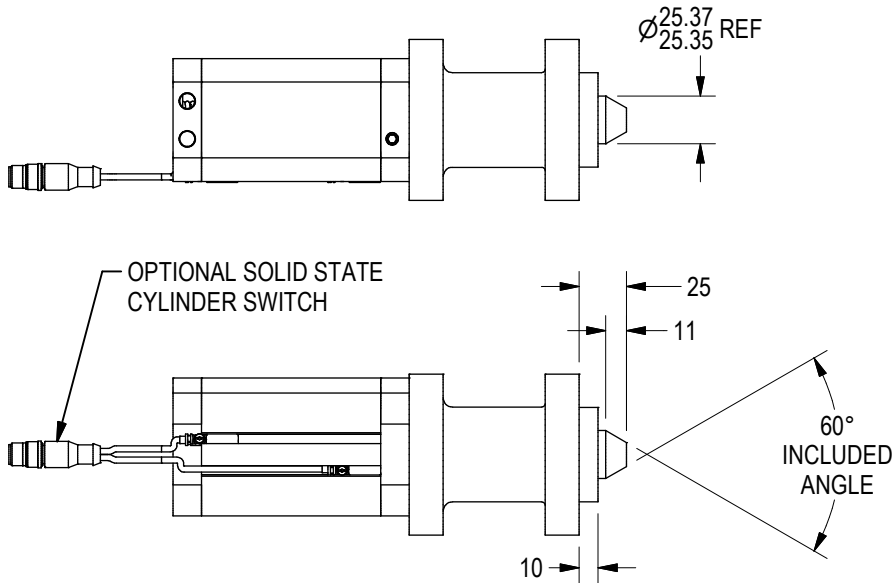


GENERAL DIMENSIONS



**FLAT PIN
RETRACTED POSITION**

EVENLY SPACED ON A $\varnothing 70.00$ B.C.
(CLEARANCE FOR M8 SCREWS
FROM FAR SIDE)



**CONICAL PIN
RETRACTED POSITION**

NOTES:

- ALL RAMS ARE HARDENED 4140 Rc 45 MIN.
- CYLINDERS INCLUDE MAGNETIC PISTON
- OPTIONAL SPRING EXTEND
(AIR LOSS TRIGGERS MECHANICAL SPRING EXTENSION)



BP2 UNIT WEIGHT: 8.4 LBS.

(DO NOT SCALE DRAWING)

WELKER
ENGINEERED PRODUCTS
248-528-2020 www.welkerproducts.com

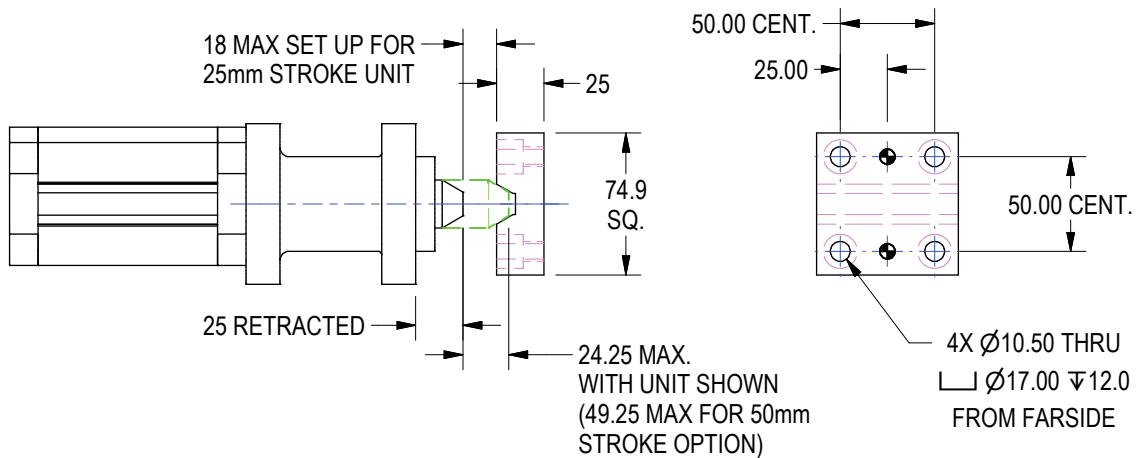
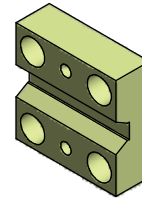
BP2 RECEIVERS

ORDERED SEPARATELY

BP2NE90 LOCKOUT PIN RECEIVER (2-WAY)

CONICAL PIN NOSE OPTION "1"
CARB & HARDENED Rc 45-50

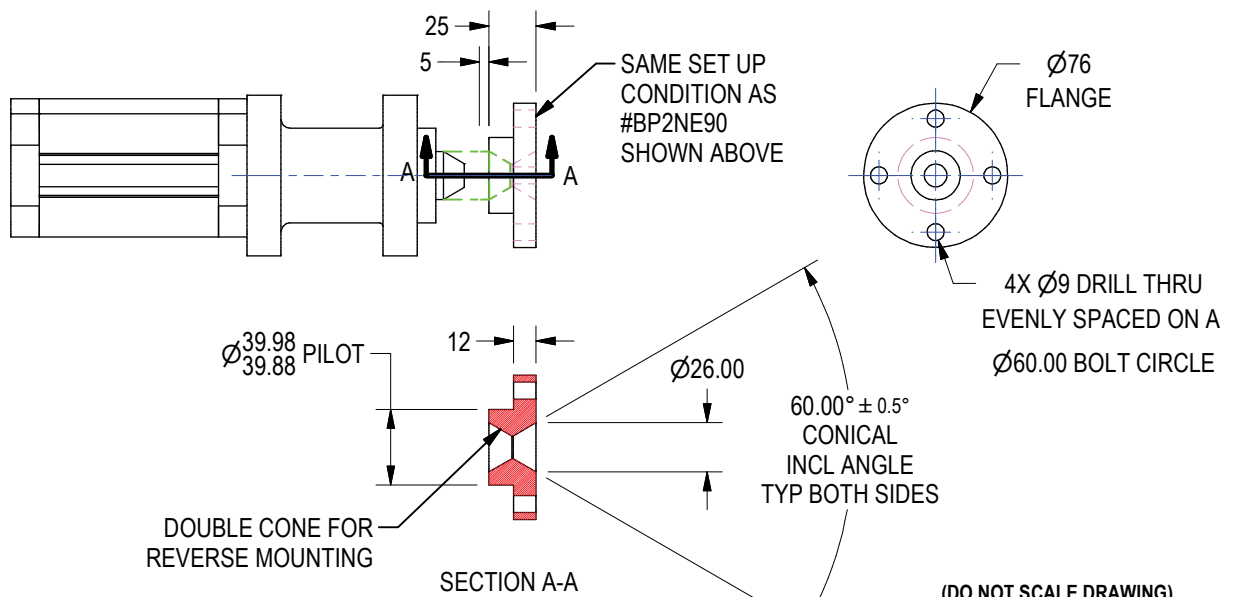
2-WAY RECEIVER - FOR USE WITH CONICAL NOSE PIN AS LOCATOR



BP2NE91 LOCKOUT PIN RECEIVER (4-WAY)

CONICAL PIN NOSE OPTION "1"
CARB & HARDENED Rc 45-50

4-WAY RECEIVER - FOR MORE ACCURATE LOCATING, USE WITH CONICAL NOSE PIN AS A FINAL POSITIONER OR SAFETY LOCKOUT



(DO NOT SCALE DRAWING)

WELKER

ENGINEERED PRODUCTS

248-528-2020 www.welkerproducts.com

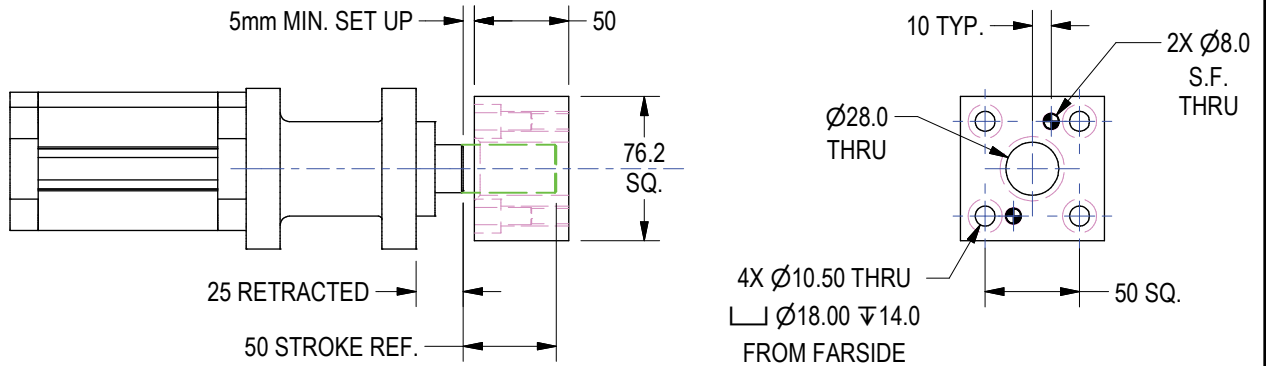
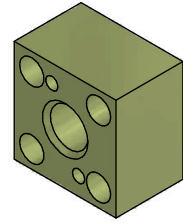
BP2 CLEARANCE RECEIVERS

ORDERED SEPARATELY

BP2NE92 LOCKOUT PIN RECEIVER (CLEARANCE)

PIN NOSE OPTION "2", 50mm STROKE

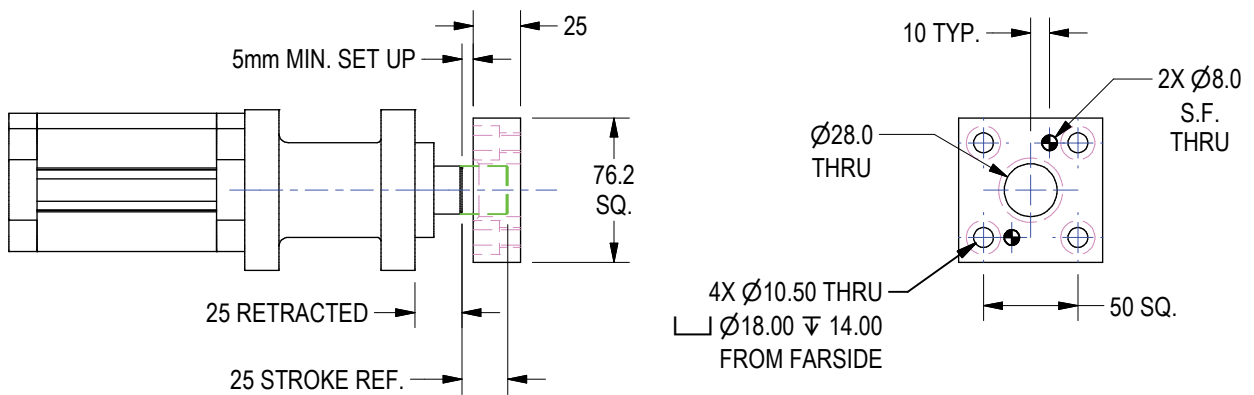
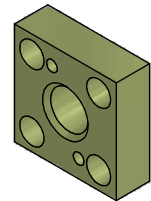
CLEARANCE HOLE - FOR USE WITH FLAT/CONICAL NOSE PIN AS SAFETY LOCK-OUT



BP2NE95 LOCKOUT PIN RECEIVER (CLEARANCE)

PIN NOSE OPTION "2", 25mm STROKE

CLEARANCE HOLE - FOR USE WITH FLAT/CONICAL NOSE PIN AS SAFETY LOCK-OUT



(DO NOT SCALE DRAWING)

