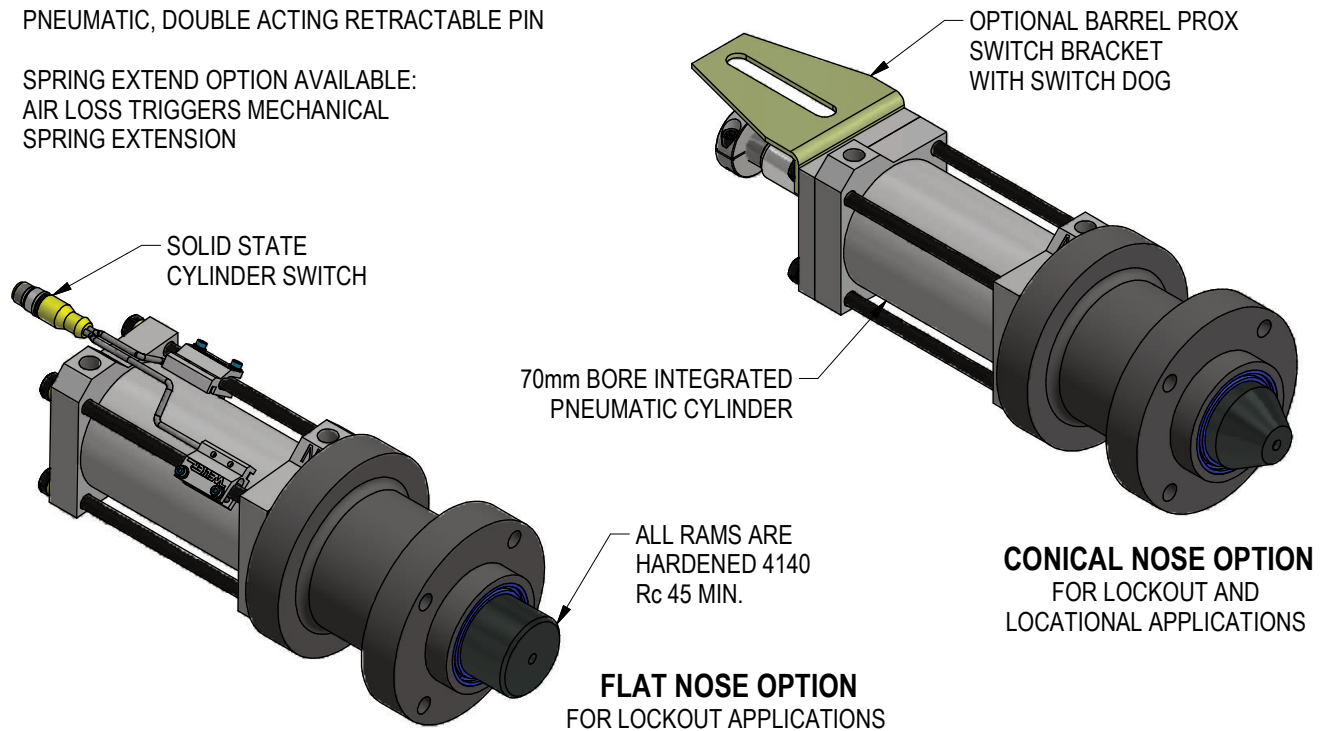


## BP4 SERIES LOCKOUT PIN

5000 lbf LOCKOUT LOAD CAPACITY

PNEUMATIC, DOUBLE ACTING RETRACTABLE PIN

SPRING EXTEND OPTION AVAILABLE:  
AIR LOSS TRIGGERS MECHANICAL  
SPRING EXTENSION

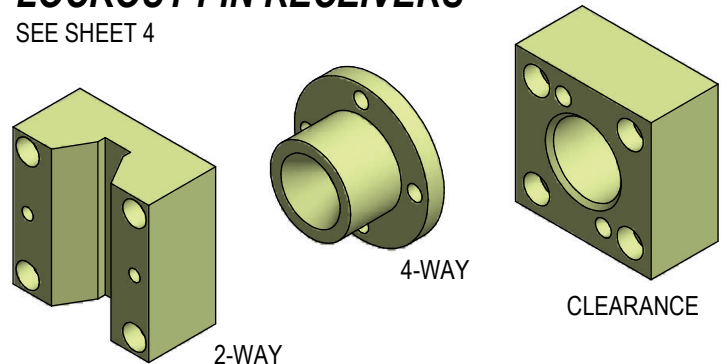


### LOCKOUT PIN APPLICATIONS

- TURNTABLES
- TRUNNION FIXTURES
- TURN-OVER UNITS
- LIFTERS & SLIDES
- SAFETY COMPLIANCE

### **LOCKOUT PIN RECEIVERS**

SEE SHEET 4



REVISED 1/15/21

# ORDERING INFORMATION

NOTE: ALL BOXES MUST BE FILLED IN FOR A COMPLETE PART NUMBER

B	P	4	N			X						
---	---	---	---	--	--	---	--	--	--	--	--	--

**Pin Dia** \_\_\_\_\_  
**4** 48mm Nominal Pin Dia

**Stroke** \_\_\_\_\_  
**025** 25mm Stroke  
**050** 50mm Stroke

**Actuator** \_\_\_\_\_  
**01** Pneumatic 70mm Bore - Single Rod - NPT  
**02** Pneumatic 70mm Bore - Single Rod - G Port  
**03** Pneumatic 70mm Bore - Double Rod - NPT Port  
**04** Pneumatic 70mm Bore - Double Rod - G Port

**Pin Nose** \_\_\_\_\_  
**1** Conical  
**2** Flat

**Spring Extend** \_\_\_\_\_  
**0** No spring  
**E** Spring Extend

**Switch** \_\_\_\_\_  
**00** No Switch  
**LX** See Welker Cylinder Switch Chart (below)  
**B1** Barrel Prox Switch Bracket (Requires Double Rod Cylinder)  
 See Sheet 3 for Bracket positions: B1, B2, B3, B4

**Bearing** \_\_\_\_\_  
**S** Standard  
**H** Maintenance free, PTFE composite lined

SPRING EXTEND OPTION "E": SPRING FORCE		
STROKE	ACTUATOR 01/02	ACTUATOR 03/04
25mm STROKE EXTENDED	100 LBF	60 LBF
50mm STROKE EXTENDED	80 LBF	40 LBF
FULLY RETRACTED	115 LBF	80 LBF

	Sw itch Option	Part Number	Manufacturer	Description
<b>Cylinder Switches</b>	<b>L3</b>	<b>SWITCH L3*</b> L3 sw itch is w eld field immune, comparable to World Sw itches. Dual sensor, single connector sw itch: 1 sw itch per cylinder	Welker	4-Wire, 4-Pin, DC (PNP) M12 X 1 Quick Disconnect
	<b>L5</b>	MK5113 Single sensor, single connector sw itch: 2 sw itches installed per cylinder	ifm Efector	3-Wire, 4-Pin, DC (NPN) M12 X 1 Quick Disconnect

**Standard Switch Option - All other options may affect price and delivery**

\*Note that some mid and low frequency DC resistance applications (i.e. aluminum resistance welding applications) may cause a fault. In these applications, it is recommended that the sensor be ignored/bypassed during the welding cycle.

**SEE SHEET 4 FOR LOCKOUT PIN RECEIVERS - ORDER SEPARATELY BY PART NUMBER**

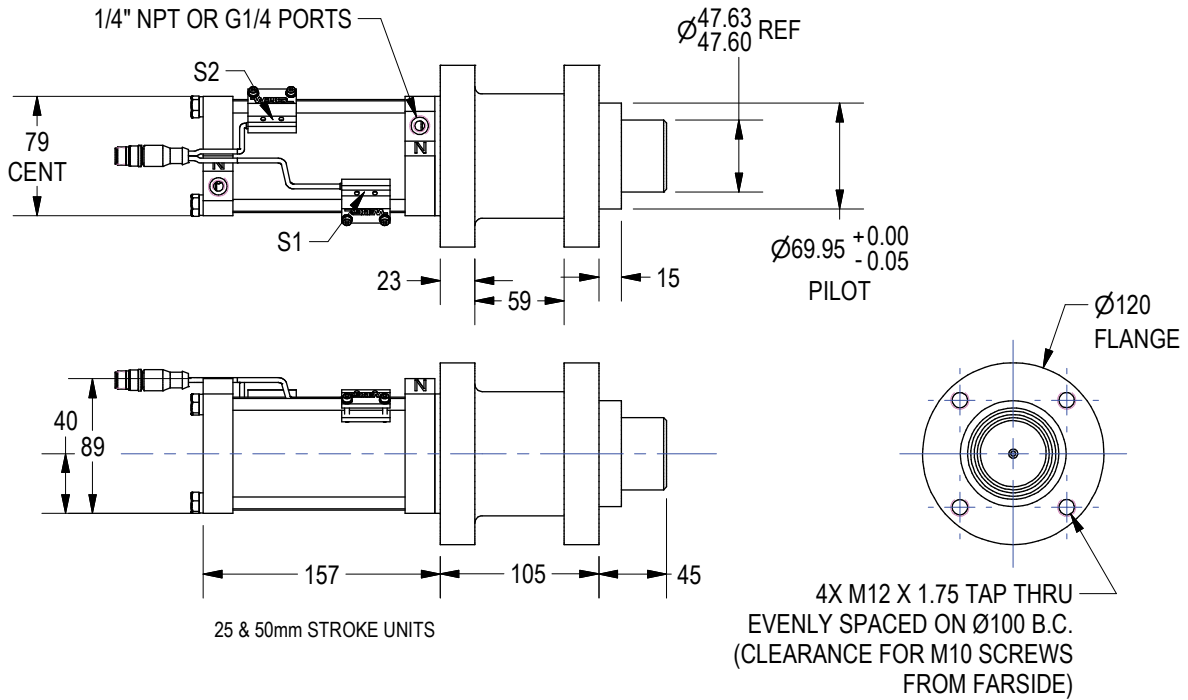
(DO NOT SCALE DRAWING)

ENGINEERED PRODUCTS

(800) 229-0890 www.welkerproducts.com

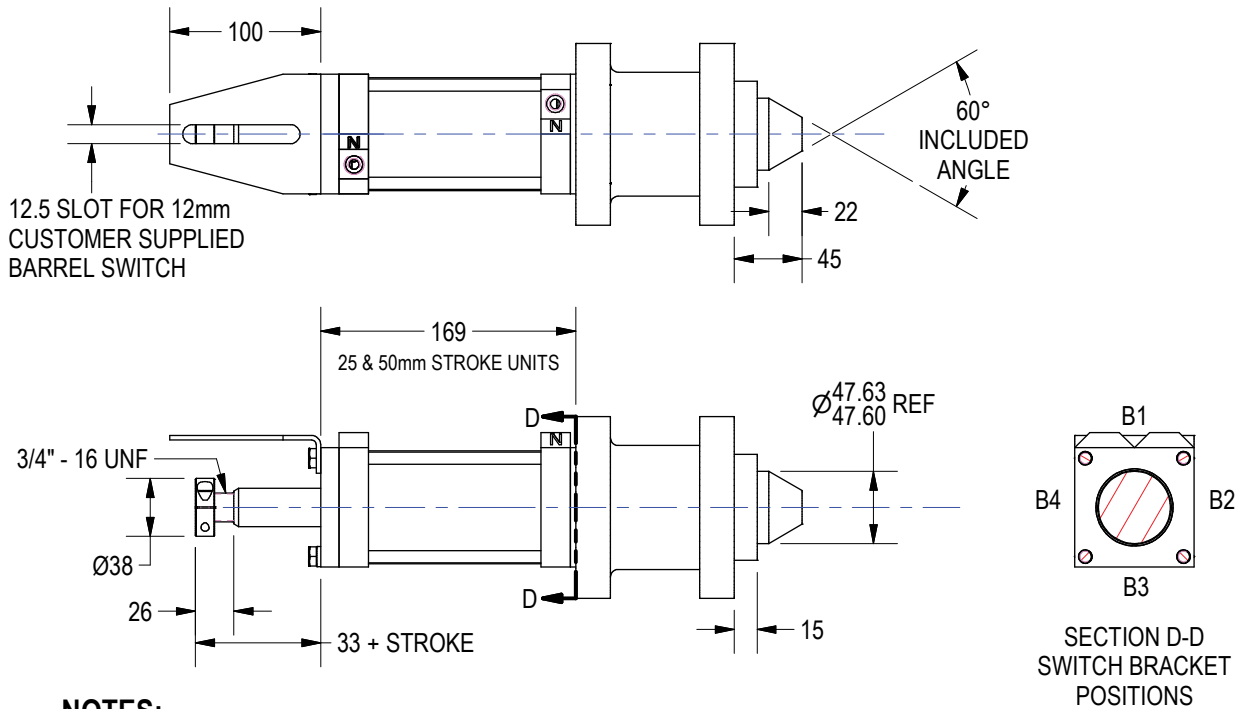
# FLAT PIN ~ RETRACTED POSITION

SHOWN WITH CYLINDER SWITCH OPTION "L3"



# CONICAL PIN ~ RETRACTED POSITION

SHOWN WITH CYLINDER SWITCH OPTION "B1" & DOUBLE ROD OPTION



## NOTES:

- ALL RAMS ARE HARDENED 4140 Rc 45 MIN.
- CYLINDERS INCLUDE MAGNETIC PISTON
- OPTIONAL SPRING EXTEND  
(AIR LOSS TRIGGERS MECHANICAL SPRING EXTENSION)
- MAX WEIGHT WITH 50mm STROKE: 21.5 lbf



(DO NOT SCALE DRAWING)

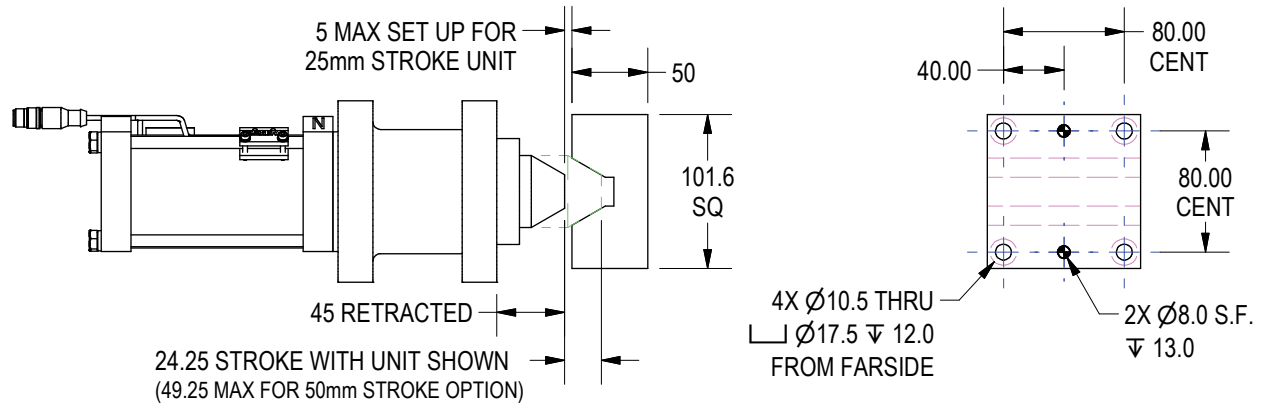
**WELKER**

ENGINEERED PRODUCTS

(800) 229-0890 www.welkerproducts.com

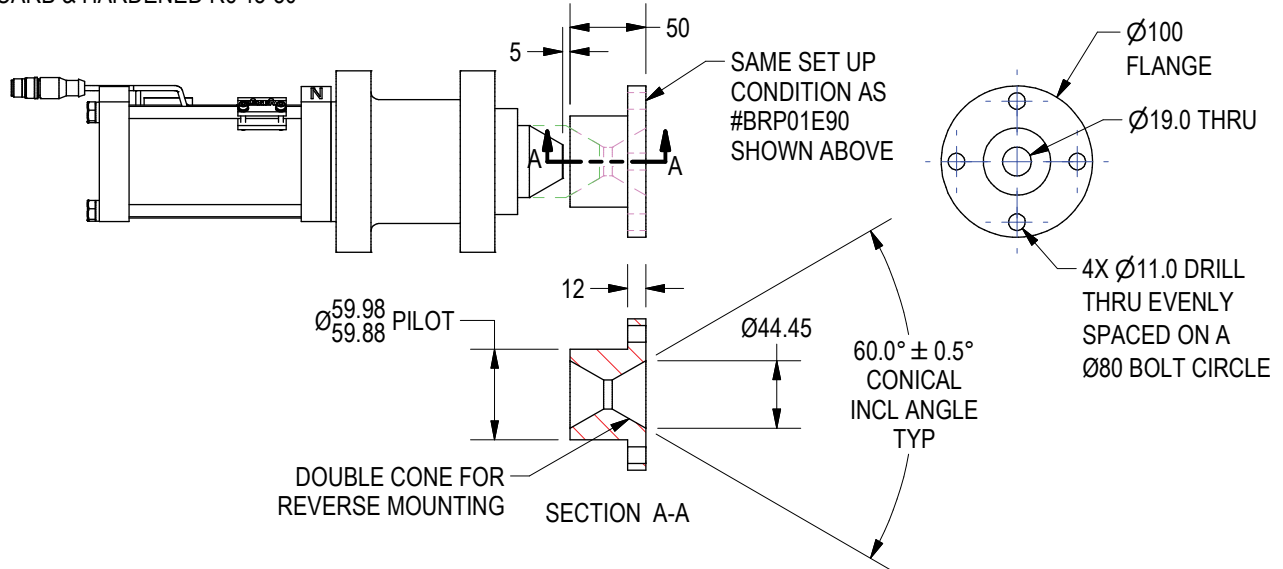
## **BRP01E90 LOCKOUT PIN RECEIVER (2-WAY)**

2-WAY RECEIVER - FOR USE WITH CONICAL NOSE OPTION "1" AS LOCATOR  
 CARB & HARDENED Rc 45-50



## **BRP01E91 LOCKOUT PIN RECEIVER (4-WAY)**

4-WAY RECEIVER - FOR MORE ACCURATE LOCATING, USE WITH CONICAL NOSE OPTION "1" AS A FINAL POSITIONER OR SAFETY LOCKOUT  
 CARB & HARDENED Rc 45-50



## **BRP01E92 LOCKOUT PIN RECEIVER (CLEARANCE)**

CLEARANCE HOLE - FOR USE WITH FLAT/CONICAL NOSE PIN AS SAFETY LOCK-OUT

