

ORDERING INFORMATION

S 0 1 5 9 2 - N 1 A 1 L 0 X 0

CYLINDER SWITCHES			
Switch Option	Manufacturer's Part Number	Mfr.	Description
L3	SWITCH L3: Weld field immune, comparable to World Sw itches*	Welker	M12 X 1 Quick Disconnect 4-Wire, 4-Pin DC (PNP)
L5	MK5113: Single sensor, single connector sw itch (2 sw itches installed w ith L5 option)	ifm Efeetor	3-Wire, 4-Pin DC (NPN)

Standard Switch Option - All other options may affect price and delivery

*Note that some mid and low frequency DC resistance applications (i.e. aluminum resistance w elding applications) may cause a fault. In these applications, it is recommended that the sensor be ignored/bypassed during the w elding cycle.

Port Type
N NPT Ports
G G Ports

Port Location
1 "1" Shown (2, 3 or 4)

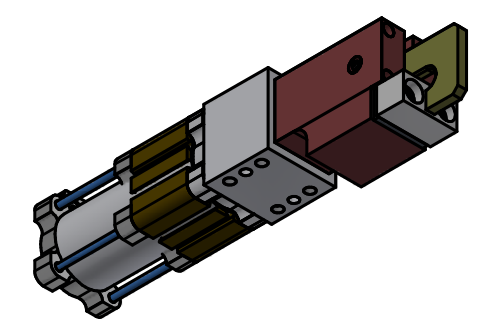
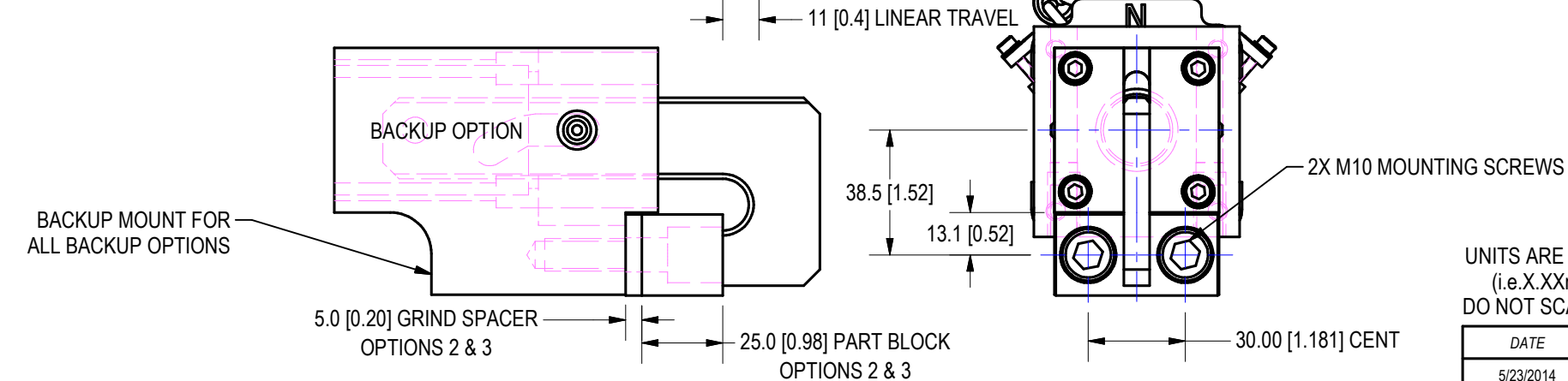
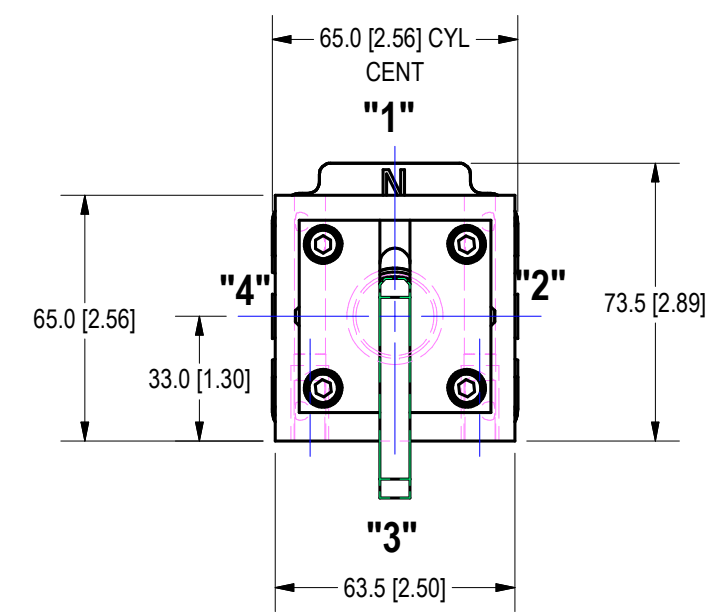
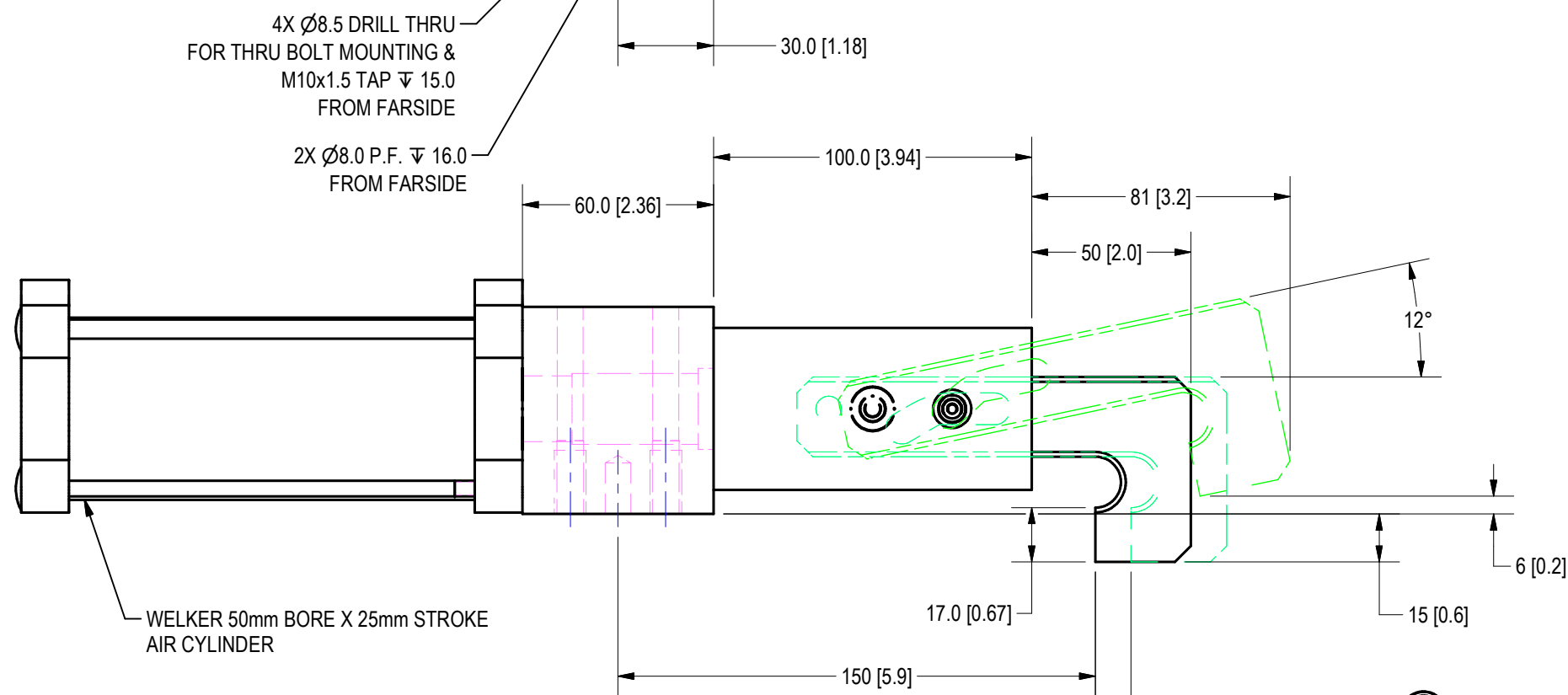
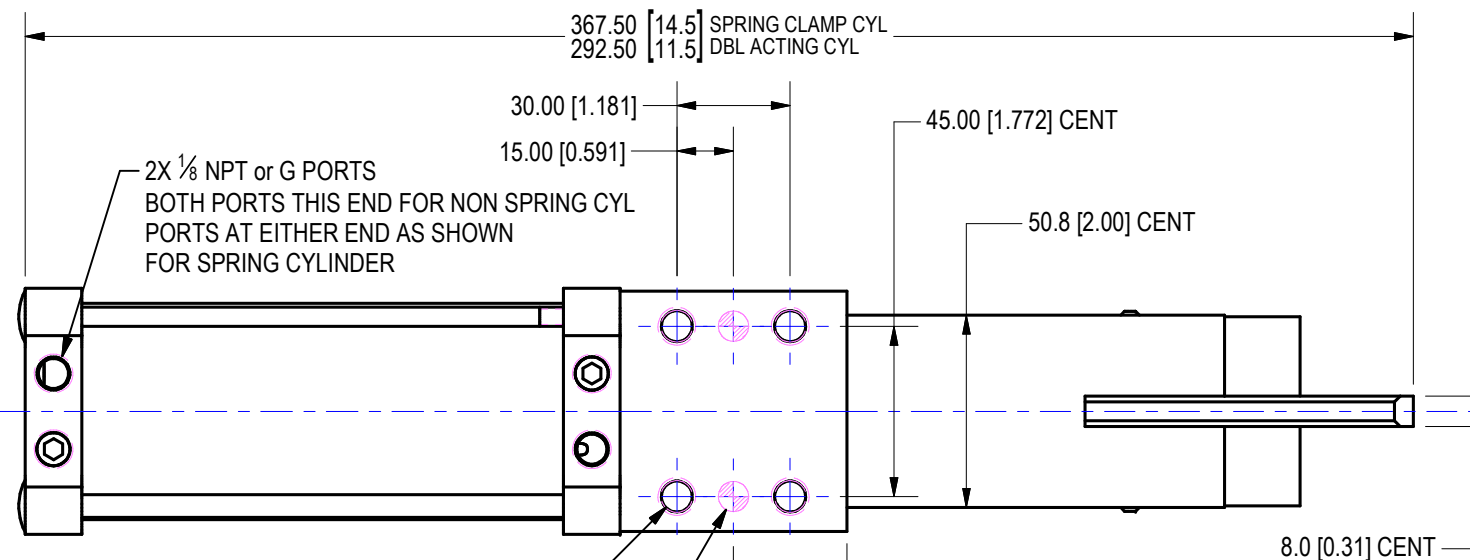
Arm Style
A Arm Style "A" Shown

Arm Location
3 Arm Location "3" Shown

Cylinder Switch
00 No switch
L0 L0,L1,etc ~ See Welker Cylinder Switch Chart

Spring Clamp
X No Spring
E Spring Clamp

Backup Option
0 No Backup
1 Backup Mount
2 Backup w Smart Stop
3 Backup w NAAMS



UNITS ARE MILLIMETERS
(i.e.X.XXmm [x.xxx"])
DO NOT SCALE DRAWING

WELKER ENGINEERED PRODUCTS					
TOOL NAME HC2 HOOK CLAMP					
TEMPLATE					
DATE	REV	DRAWN BY	DATE	CHK'D BY	ENG
5/23/2014	1	DJH	5/23/2014	AMD	APPROVAL
SCALE 1:2		FILE NAME		S01592L01	