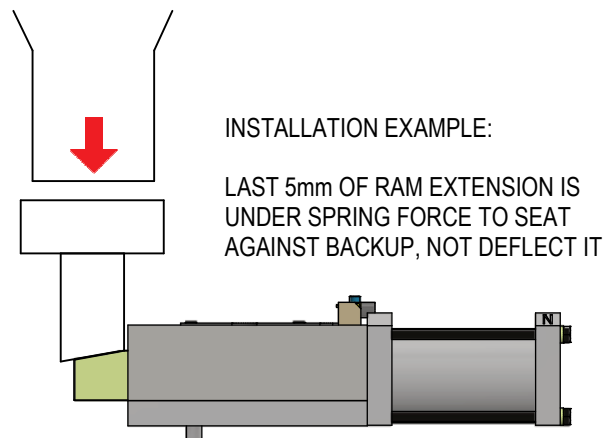
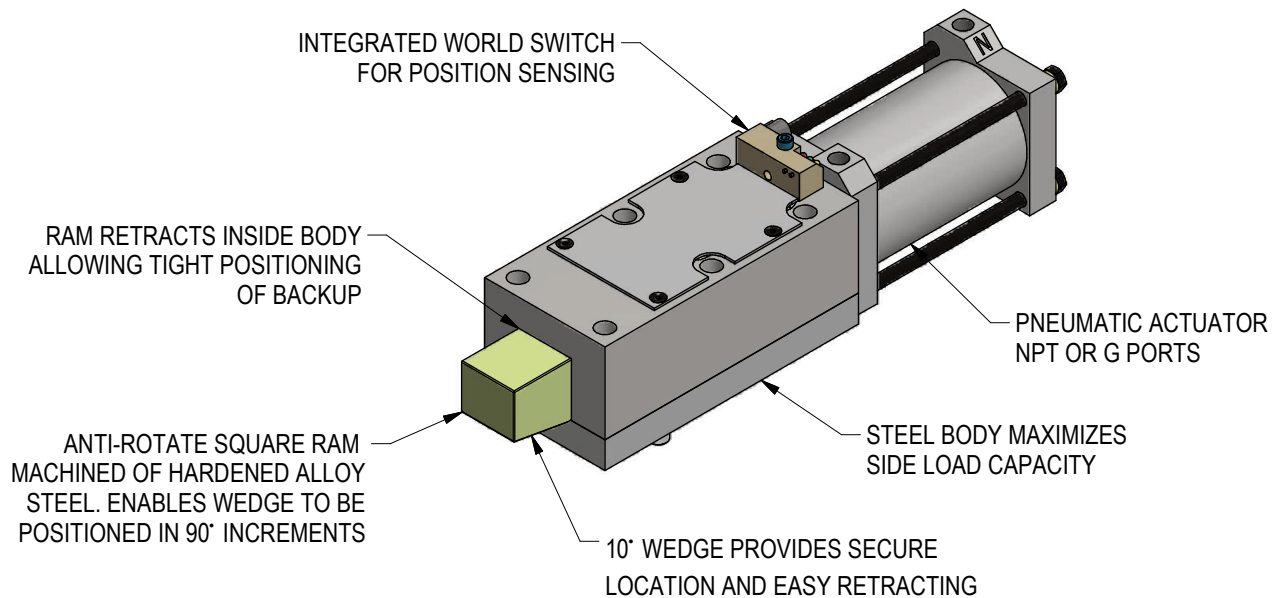


## WEDGE LOCK S01631

IDEAL FOR PRESS STATION APPLICATION:  
REDUCES DEFLECTION IN LIFT & LOCATE STATION



RELEASED 5/26/20

## ORDERING INFORMATION

NOTE: ALL BOXES MUST BE FILLED IN FOR A COMPLETE PART NUMBER

S
0
1
6
3
1
-


A

0
X


0
0
0

**Stroke**

**050** 50mm Stroke

**Actuator**

- 01** Pneumatic - NPT
- 02** Pneumatic - G Port

**Switch**

- 00** No Switch
- CE** See World Switch chart

**Port Position**

- A** P1 Port Position
- B** P2 Port Position
- C** P3 Port Position
- D** P4 Port Position

**Ram Position**

- 0** P3 Position
- 1** P4 Position
- 2** P1 Position
- 3** P2 Position

### WORLD SWITCH CHART

Order Number SO1 EXTEND / SO1 RETRACT	Part Number	Manufacturer	Description All switches Quick Disconnect
<b>CE / CR</b>	Ni2-Q6.5-AN6-0.1-FS 4.4X3/S304	Turck	4-Wire, 4-Pin, DC M12 X 1 (NPN)
<b>DE / DR</b>	NBN2-F581-100S6-E8-V1	Pepperl & Fuchs	4-Wire, 4-Pin, DC M12 X 1 (PNP)
<b>EE / ER</b>	BES-Z02KR2-PSC20F-P100-S04-V	Balluff	3-Wire, 4-Pin, DC M12 X 1 (PNP)
<b>JE / JR</b>	IN5374	Efector	3-Wire, 4-Pin, DC M12 X 1 (PNP)
<b>ZE / ZR</b>	WWS001A	WELKER	4-Wire, 4-Pin, DC M12 X 1 (PNP)

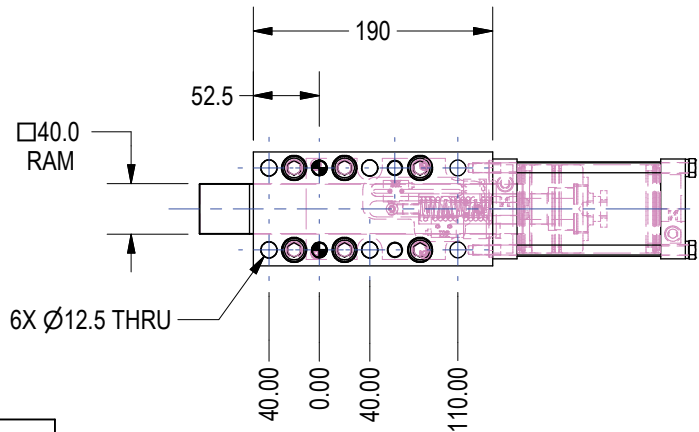
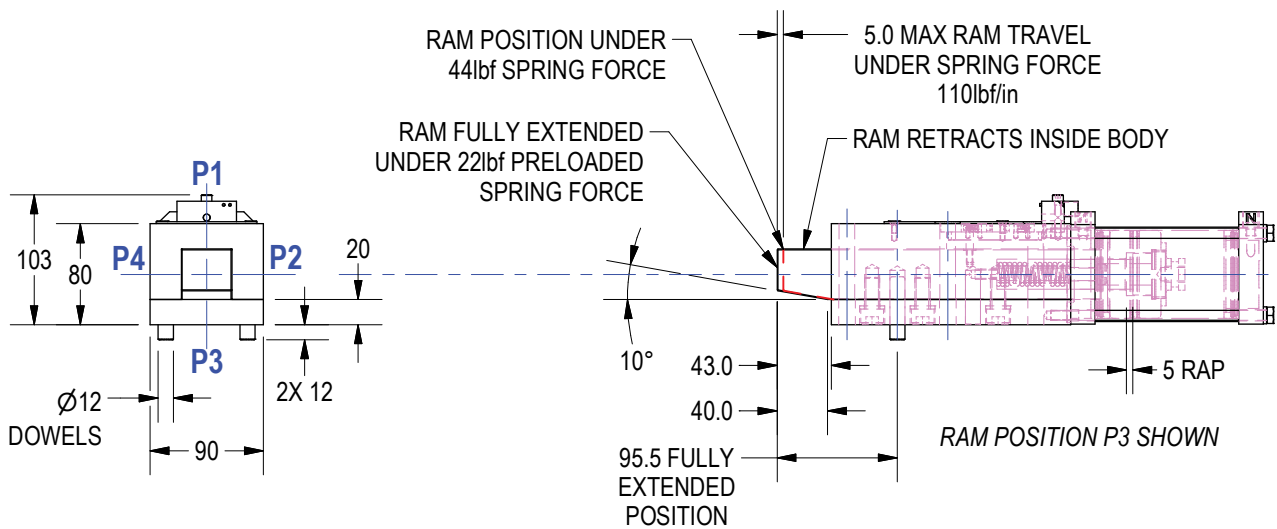
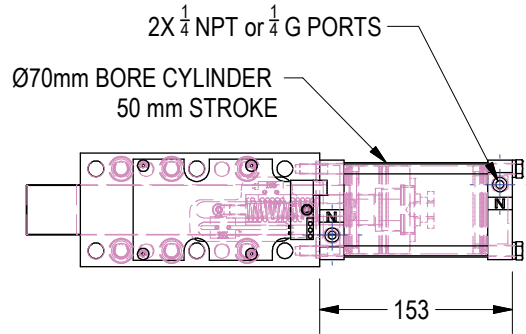
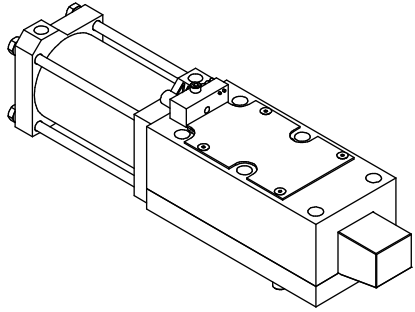
**Standard Switch Option - All other options may affect price and delivery**

**Note: All applications require Welker Engineering approval.**

(DO NOT SCALE DRAWING)



# GENERAL DIMENSIONS



LOAD CAPACITY		
LINE PRESSURE	DYNAMIC*	STATIC
60 PSI	485 LBF	5000 LBF
80 PSI	650 LBF	5000 LBF

\* DYNAMIC LOAD CAPACITY IS THE MAXIMUM ALLOWABLE LOAD APPLIED ON WEDGE WHICH WILL ALLOW UNIT TO RETRACT AT GIVEN LINE PRESSURE.

(DO NOT SCALE DRAWING)

**WELKER**  
ENGINEERED PRODUCTS  
(800) 229-0890 [welkerproducts.com](http://welkerproducts.com)