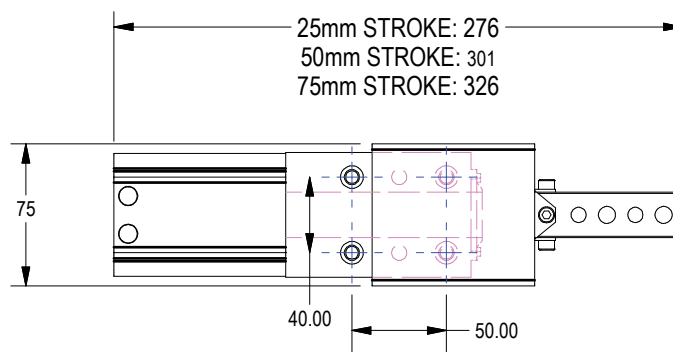


**EFFECTIVE 1/1/21: SB2 IS LEGACY STATUS, ONLY AVAILABLE AS SERVICE PARTS
AVAILABILITY, PRICING & DELIVERY LEAD TIMES ARE NOT GUARANTEED.**

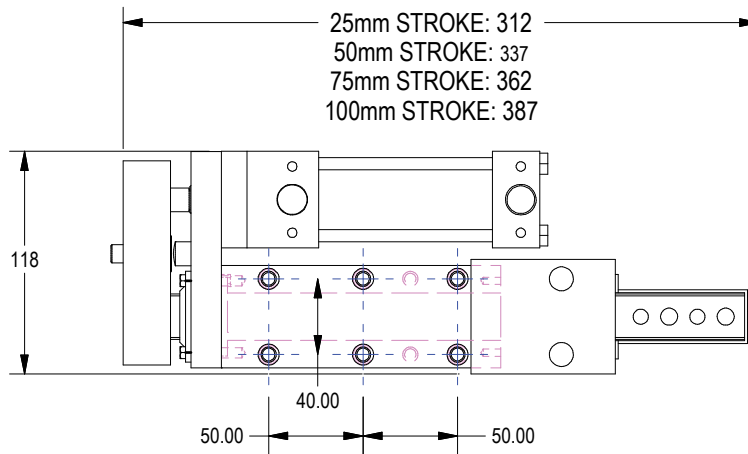
UB2

RECOMMENDED REPLACEMENT FOR SB2

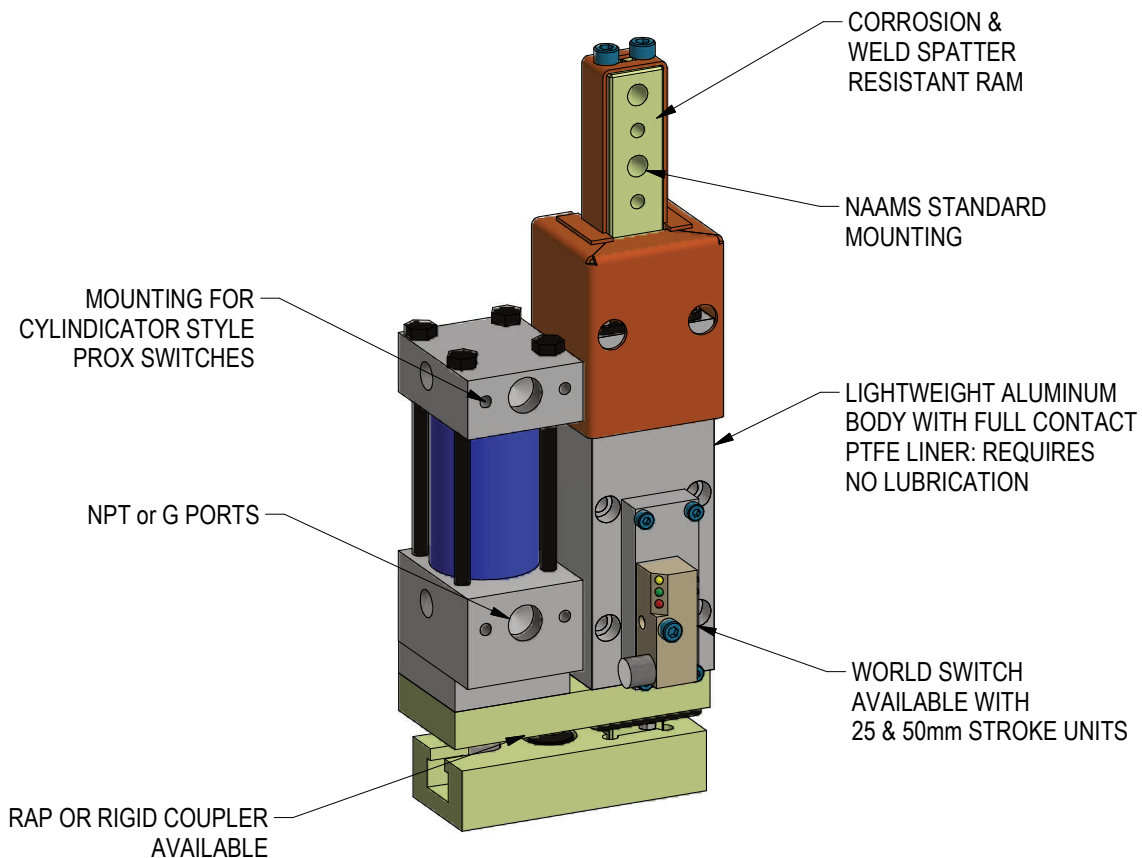


LEGACY SHOT PIN

SB2



SB2 SERIES GOLD LINE SIDE-BY-SIDE SHOT PIN



SHOT PIN APPLICATIONS:

RETRACTABLE LOCATING PINS
PART STOPS
PROBE SLIDES,
WEDGE LOCKS
STRAIGHT CLAMPS

REVISED: 6/18/19

ORDERING INFORMATION

NOTE: ALL BOXES MUST BE FILLED IN FOR A COMPLETE PART NUMBER

S	B	2	N					0								
---	---	---	---	--	--	--	--	---	--	--	--	--	--	--	--	--

Series
SB

Ram Size
2 24mm square

Stroke (Sheet 3)
025 025, 050, 075, 100

Coupler
A Rap (shortens ram retract stroke by 2mm)
B Rigid

Cylinder Options (Sheet 4)
01 Pneumatic Single Rod (NPT Ports)
02 Pneumatic Single Rod (G Ports)

Ram Style (Sheet 5)
D 4 Hole - Large
L 4 Hole - Medium

Switch Options (Sheet 6)
00 See switch chart

Shroud
0 No Shroud
1 Shroud

Cylinder Position (Sheet 4)

A	C1	Prox at X1
B	C2	Prox at X1
C	C3	Prox at X1
D	C1	Prox at X2
E	C2	Prox at X2
F	C1	Prox at X3
G	C3	Prox at X3
H	C2	Prox at X4
J	C3	Prox at X4

Ram Rotation
0 No Rotation
9 90° Rotation

Shim Whole (mm) See note

0	None
1	1mm
2	2mm
3	3mm
4	4mm
5	5mm

Note: Due to cylinder switch limitations, shimming past 5mm is not recommended. When "00" is ordered, a 6mm shim set will be shipped loose with all pneumatic units.

Shim Quarter (mm) See note

0	None
A	0.25mm
B	0.50mm
C	0.75mm

Standard Options-All other options may affect price and delivery

(DO NOT SCALE DRAWING)

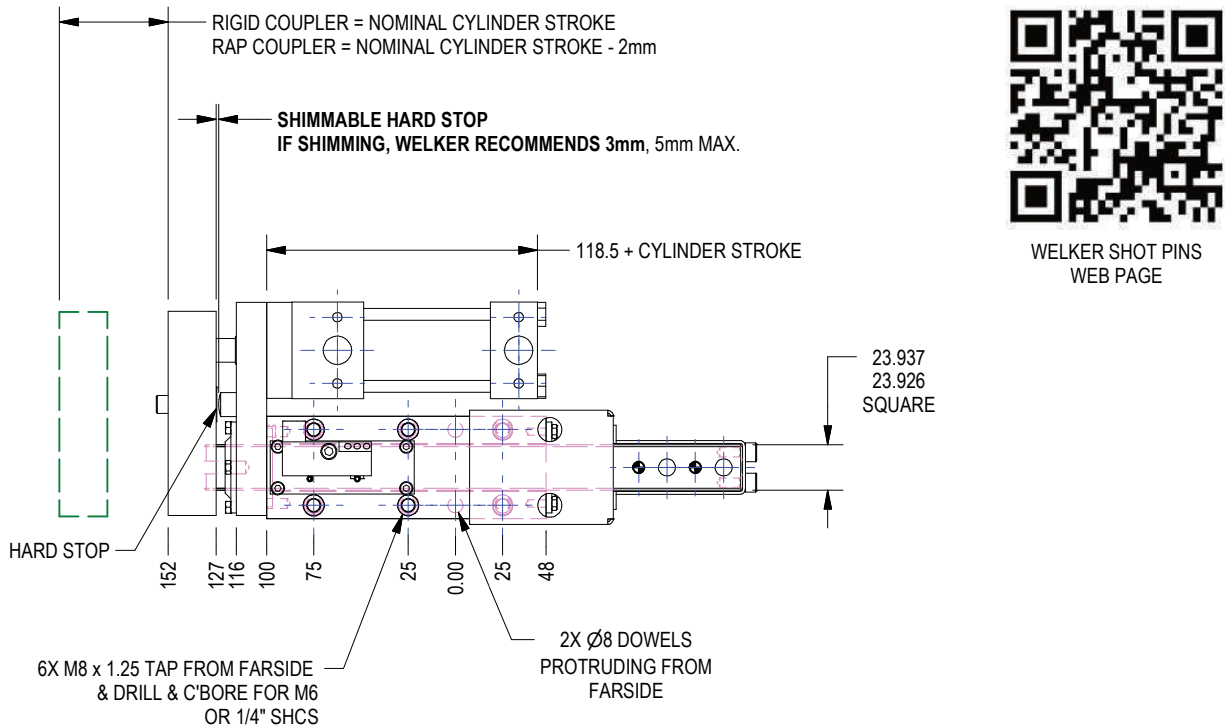


ENGINEERED PRODUCTS

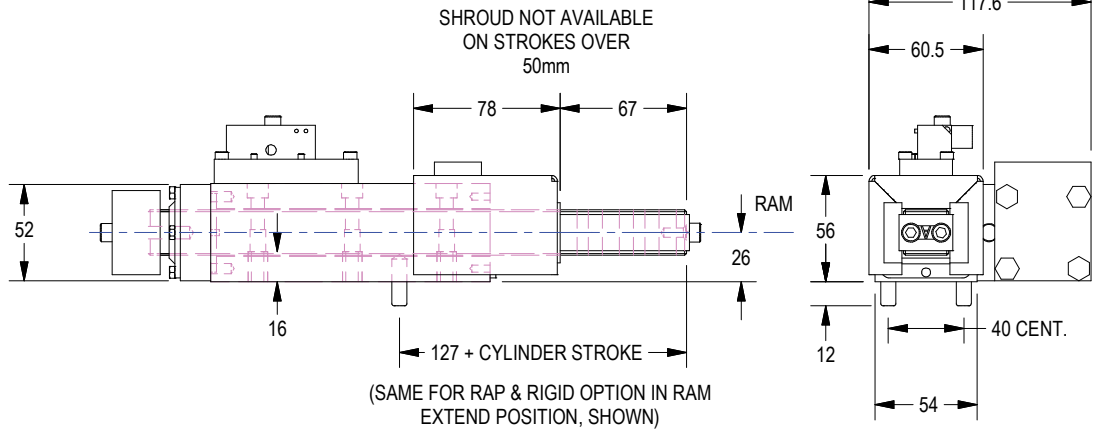
(800) 229-0890 www.welkerproducts.com

GENERAL DIMENSIONS

ON SB SERIES SHOT PINS THE DIMENSION FOR RAM EXTEND POSITION IS THE SAME FOR RAP OR RIGID OPTION.
 REMOVAL OF RIGID COUPLER CONVERTS UNIT TO RAP OPTION. SEE WEBSITE FOR DATA SHEET AND VIDEO www.welkerproducts.com
 SB2 RAP OPTION SHORTENS RAM RETRACT BY 2mm.



WELKER SHOT PINS
 WEB PAGE



REQUIRES A MIN 5.5 BAR (80 PSI)

SHOT PIN WEIGHT BY STROKE			
25mm	50mm	75mm	100mm
11.1 lbs	11.9 lbs	12.2 lbs	12.9 lbs

(DO NOT SCALE DRAWING)

WELKER
 ENGINEERED PRODUCTS
 (800) 229-0890 www.welkerproducts.com

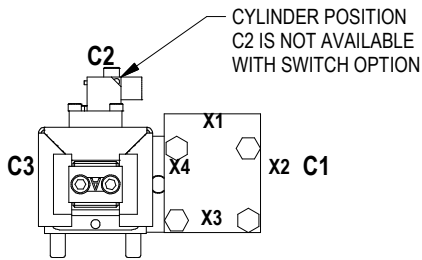
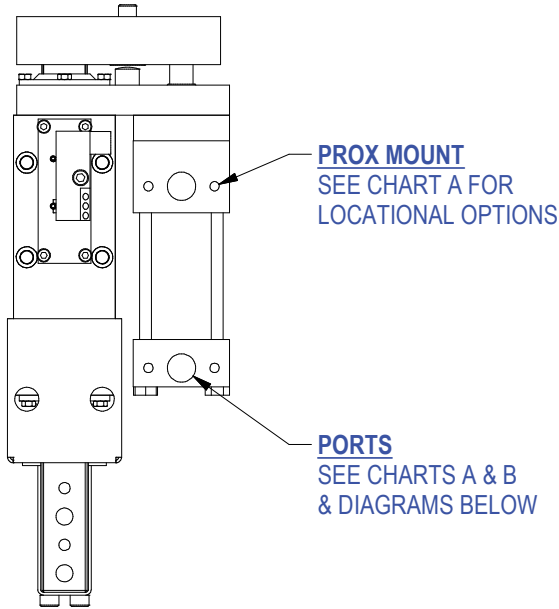
CYLINDER INFORMATION

S
B
2
N
0
2
5
A
0
1
0
D
0
0
1
A
0
0
0

Ram Size
2 24mm square

Cylinder Options
01 Pneumatic Single Rod (NPT Ports)
02 Pneumatic Single Rod (G Ports)

Cylinder Position
See Cylinder Position Chart A Below



SEE DIAGRAMS BELOW FOR EXAMPLES OF PROX/PORTS OF ALL CYLINDERS

CHART A

Code	Cylinder & Port/Prox Location
A	C1 & X1(shown)
B	C2 & X1
C	C3 & X1
D	C1 & X2
E	C2 & X2
F	C1 & X3
G	C3 & X3
H	C2 & X4
J	C3 & X4

Select the position of the cylinder (C1, C2 or C3)
The X position for this cylinder is the PROX location, select this value (X1 thru X4).
If ordering with world switch option, cylinder position C2 is not available. Find the preferred combination code in Chart A.

CHART B

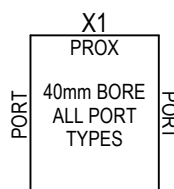
Nominal Ram	Pneumatic Bore	Pneumatic Port Size	Prox Port Reed Depth
24	*40	1/4" NPT or G1/4	26mm

* REQUIRES A MINIMUM OF 5.5 BAR (80 PSI)

FLOW CONTROLS NOT REQUIRED

"NPT & ALL 40mm BORE PORT TYPES"

X1 OPTION DESIGNATES LOCATION OF THE PROX. TO ROTATE THE PROX LOCATION 90° CLOCKWISE, ORDER THE X2 OPTION, OTHER ROTATIONS AVAILABLE (SEE CHART A).



(DO NOT SCALE DRAWING)



ENGINEERED PRODUCTS

(800) 229-0890 www.welkerproducts.com

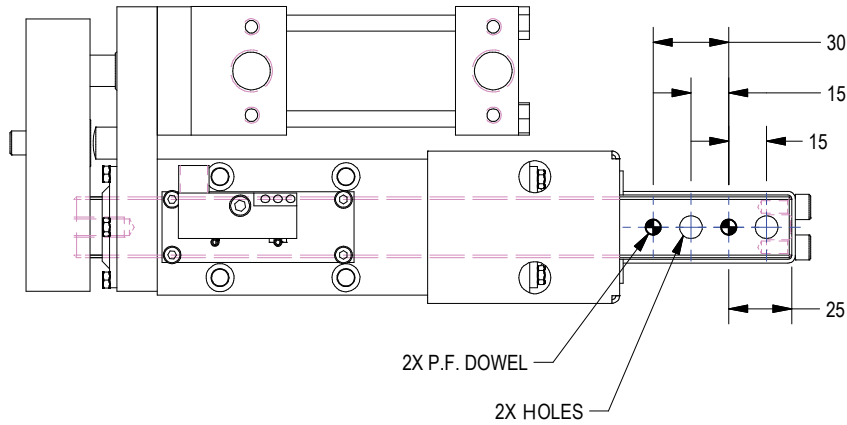
RAM OPTIONS

S
B
2
N
0
2
5
A
0
1
0
D
0
0
1
A
0
0
0

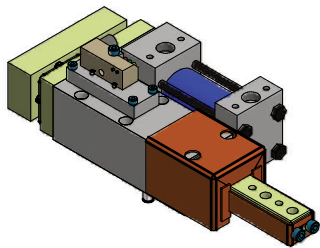
Ram Size
2 24mm square

Ram Style
See chart

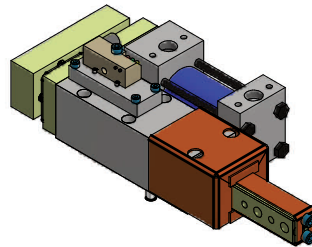
Ram Rotation
0 No Rotation
9 90° Rotation



RAM STYLE	DOWELS	HOLES
D	8.0mm THRU	11.0mm THRU
L	8.0mm THRU	9.0mm THRU



0° RAM ROTATION
OPTION "0"



90° RAM ROTATION
OPTION "9"

(DO NOT SCALE DRAWING)



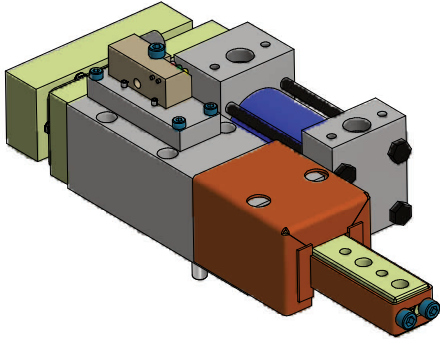
ENGINEERED PRODUCTS

(800) 229-0890 www.welkerproducts.com

SWITCH OPTIONS

SB
2
N
025
A
01
0
D
DE
1
A
0
00

Switch
00 See Chart Below



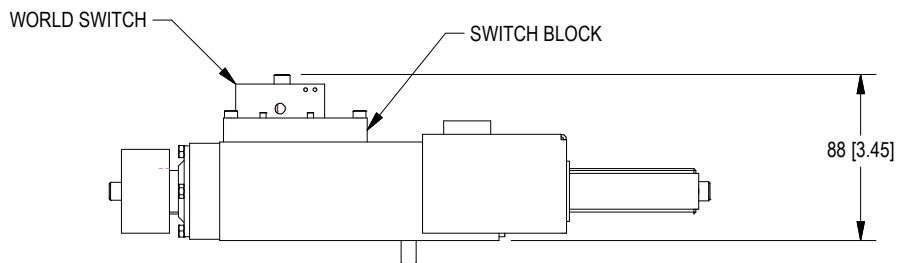
NOTES:

THE WORLD SWITCH CAN ONLY BE USED WITH 25mm & 50mm STROKES.

CYLINDER POSITION C2 IS NOT AVAILABLE WITH SWITCH

	Order Number SO1 (E)XTEND or SO1 (R)ETRACT	Part Number	Manufacturer	Description
World Switches <i>Note: Available with 25mm and 50mm stroke</i>	99	Switch Ready		Customer Supplied Sw itch. Prepared for sw itches below :
	AE or AR	Ni2-Q6.5-AP6-0.1-FS 4.4X3/S304	Turck	4-Wire, 4-Pin, DC M12 X 1 (PNP) Quick Disconnect
	BE or BR	Ni2-Q6.5-ADZ32-0.1-FSB 5.4X4/S304	Turck	4-Wire, 5-Pin, AC/DC 1/2-20 (N.O.) Quick Disconnect
	DE or DR	NBN2-F581-100S6-E8-V1	Pepperl & Fuchs	4-Wire, 4-Pin, DC M12 X 1 (PNP) Quick Disconnect
	JE or JR	IN5374	Eector	3-Wire, 4-Pin, DC M12 X 1 (PNP) Quick Disconnect

Standard Switch Option - All other options may affect price and delivery



(DO NOT SCALE DRAWING)

ENGINEERED PRODUCTS
 (800) 229-0890 www.welkerproducts.com

WELKER SB2 SHOT PIN TECHNICAL INFORMATION

Body Mounting: Square ram shot pin units have dual mounting capability. At all mounting locations, you have the option of mounting from the top using the counter-bored clearance holes or the same holes, tapped from the bottom. Using any four of the six holes, symmetrical about the centerline, is sufficient. Protruding mounting dowels are provided and are press fit into the body.

Square ram packages are high precision full contact plane bearing units and therefore must be mounted to a flat surface. **Mounting surfaces must be flat within .002" (0.95mm).**

Ram Mounting: Square ram shot pin units use a standard NAAMS L-Block pattern with 15mm spacing. Spacing allows mounting of 3 and 4 hole pin retainers and L-blocks to the ram. Through holes can be tapped and fitted with standard thread inserts.

Shrouds: Safety orange steel shrouds are available for additional protection. Shrouds prevent undesirable buildup of contamination from welding and machining applications. Welker specifically recommends shroud usage in MIG, TIG and arc welding applications. Shrouds should only be removed if clearance problems exist and conditions permit. Consult Welker.

Wipers: The wiper is the only maintenance item on Welker pin units. It is a custom molded moly impregnated urethane wiper. Welker recommends changing the wiper yearly. Specific applications may require more or less frequent wiper service.

Stroke: The stroke accuracy of shot pins is limited to that of the cylinder. Normal cylinder stroke accuracy is $\pm .015"$ (0.38mm). For control of "end of stroke" repeatability, see extend and retract stop options for each series.

Rap couplings cause the unit to be less than the nominal stroke of the cylinder. The 24mm ram units have a 2mm rap. The rap allows the cylinder to begin moving before moving the ram. The impact of the coupler helps free tooling from a bound condition. Most applications using a pneumatic shot pin should have rap couplings. Rap coupler not available on hydraulic units.

Welker cylinders do not require lubrication.

Switch: 24mm ram tie rod cylinders use prox switch (cylindicator) ports with 1.025" read depth (probe length). World switches are available.

Repeatability: Shot pin units utilize a full contact bearing surface for high repeatability. Repeatability within $\pm .002"$ (0.05mm) part to part is achievable.

Wear: Wear equals variance in position under load over time. Shot pin tests indicate maximum wear of .002" wear at 3 million cycles.

Loading and Deflection: Maximum deflection is $\pm .005"$ and is measured at the **end of the ram** up to the specified strokes and up to the loads and distances as shown below. Longer extensions can be used at lower tolerances and loads. Pins mounted closer to the body exhibit less deflection. For applications with longer strokes and higher loads, consult Welker.

